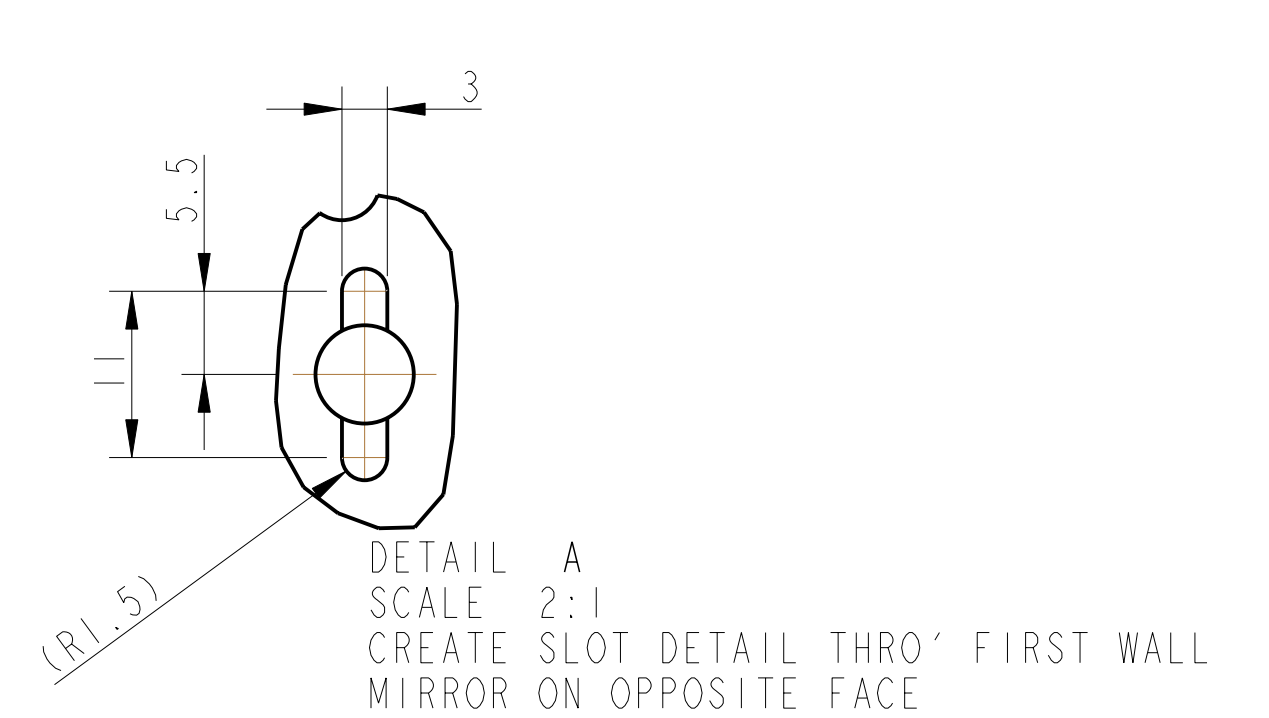
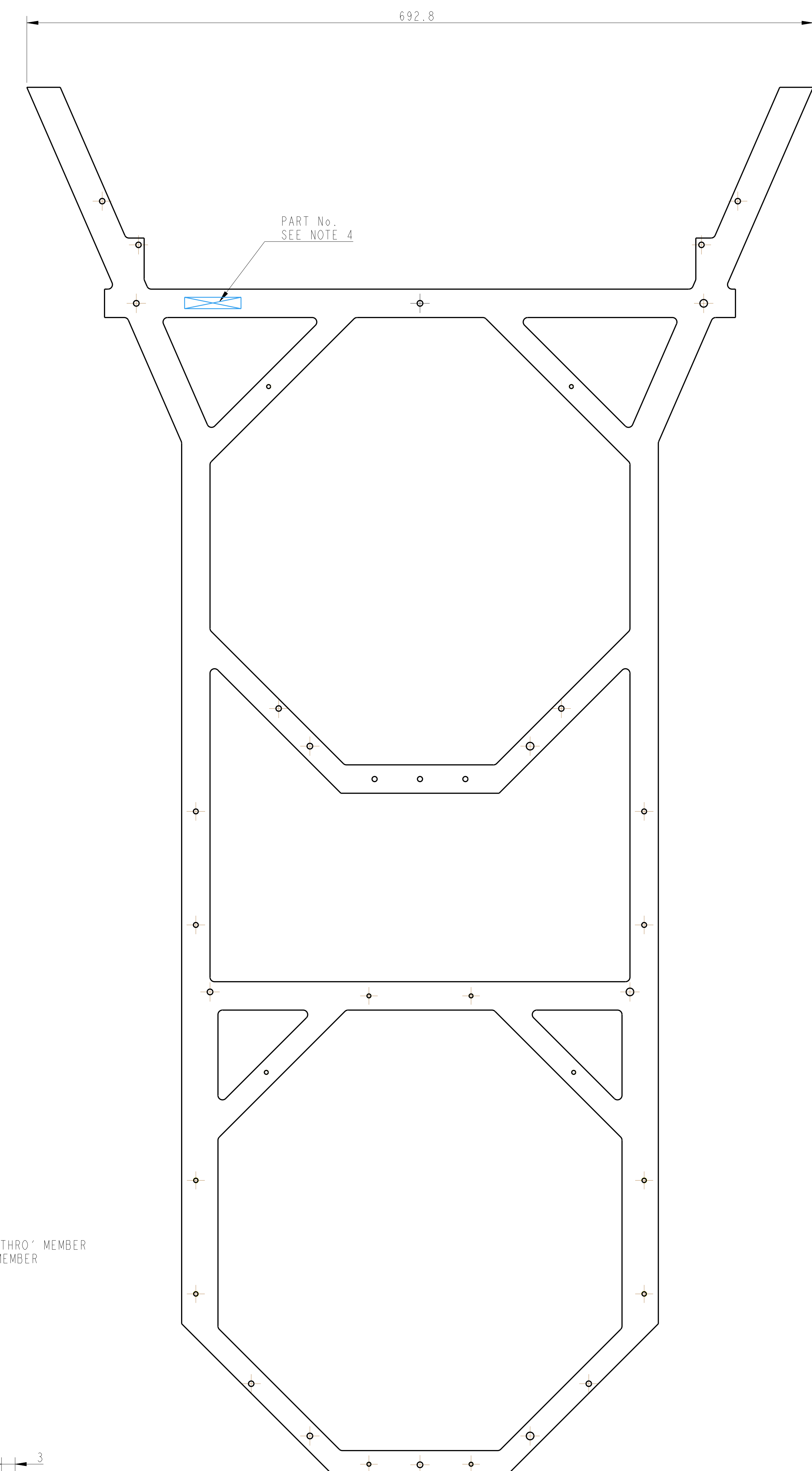
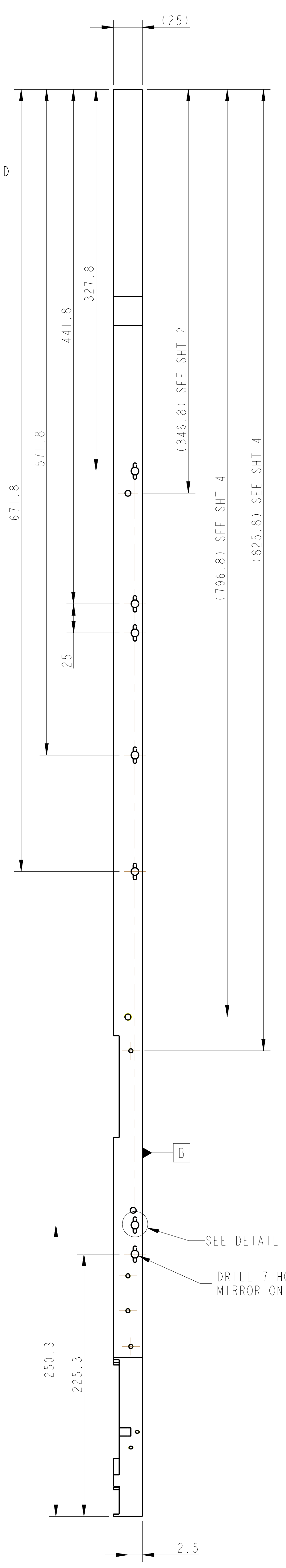
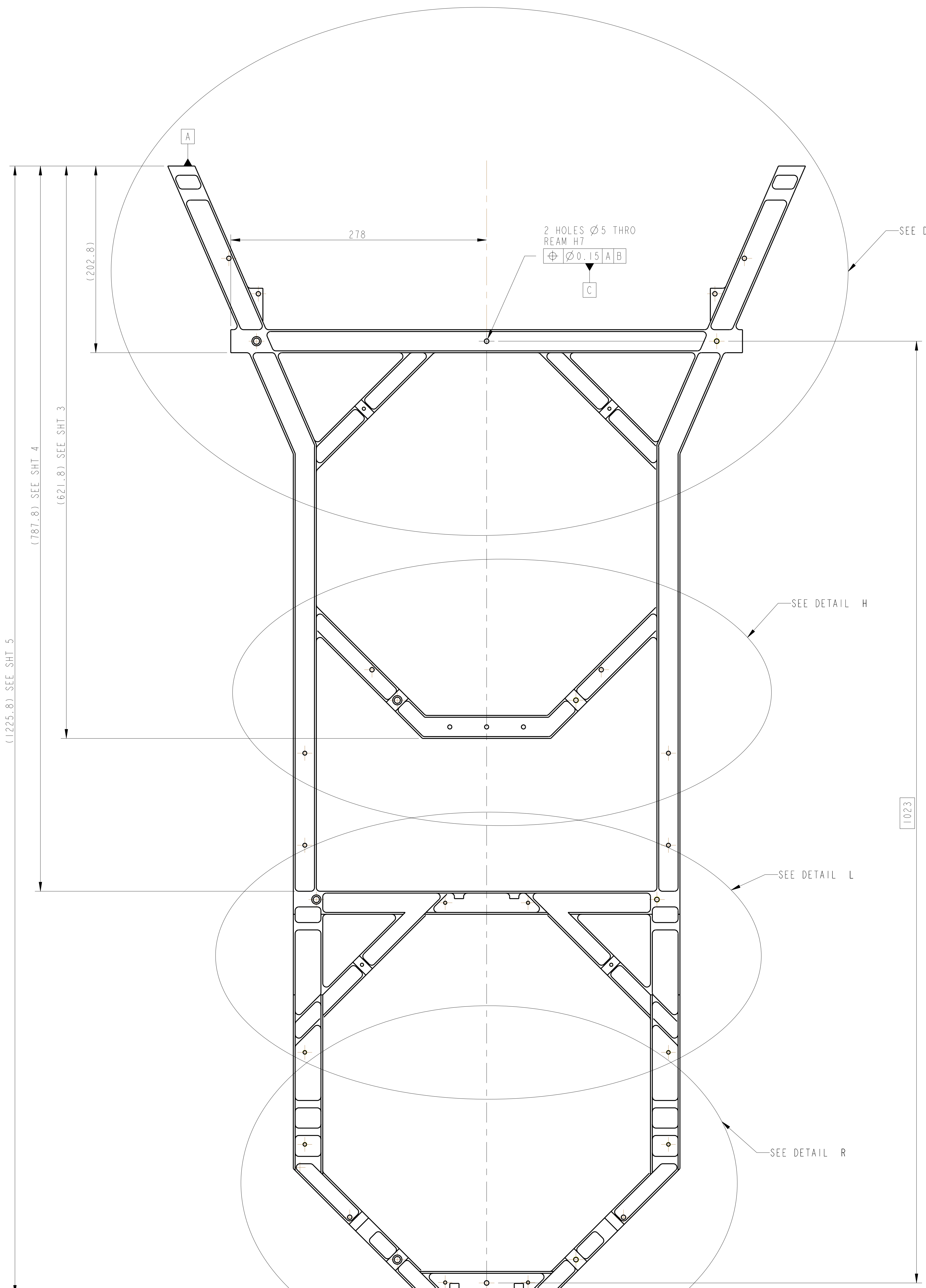


REV.	DATE	DCN #	DRAWING TREE #
A	30-OCT-06	EM60260-00	
B	23-DEC-07	EM60260-01	
C	28-JULY-08	EM60260-02	
D	9-SEP-08	EM60260-03	



NOTES: UNLESS OTHERWISE SPECIFIED		CALIFORNIA INSTITUTE OF TECHNOLOGY	
1. REMOVE ALL SHARP EDGES.	DRAWINGS ARE IN mm (INCHES)	1000	UNIVERSITY OF CALIFORNIA
2. DO NOT SCALE FROM DRAWING.	ALL DIMENSIONS SHALL BE	ALISO	RESEARCH AND DEVELOPMENT
3. ALL WORKING DIMENSIONS SHALL BE	AS SHOWN UNLESS OTHERWISE SPECIFIED.	SYSTEM	RESEARCH AND DEVELOPMENT
4. SIZE, FINISH, AND TOLERANCE SHALL BE	AS SHOWN UNLESS OTHERWISE SPECIFIED.	SUB-SYSTEM	SUS
5. FINISH: CLEAN AND DEBURR		PART ASSY	QUAD LOWER STRUCTURE
6. PART AND FINISH SHALL BE		PART NAME	LOWER STRUCTURE
7. NUMBER OF PARTS SHALL BE		QUANTITY	1
8. MATERIAL: ALUMINUM ALLOY		DATE	13-NOV-08
9. FINISH: CLEAN AND DEBURR		APPROVED	13-NOV-08
10. PART AND FINISH SHALL BE		DESIGNED BY	DOE/DOE
11. NUMBER OF PARTS SHALL BE		CHECKED BY	
12. MATERIAL: ALUMINUM ALLOY		DATE	
13. FINISH: CLEAN AND DEBURR		APPROVED	
14. PART AND FINISH SHALL BE		DESIGNED BY	
15. NUMBER OF PARTS SHALL BE		CHECKED BY	
16. MATERIAL: ALUMINUM ALLOY		DATE	
17. FINISH: CLEAN AND DEBURR		APPROVED	
18. PART AND FINISH SHALL BE		DESIGNED BY	
19. NUMBER OF PARTS SHALL BE		CHECKED BY	
20. MATERIAL: ALUMINUM ALLOY		DATE	
21. FINISH: CLEAN AND DEBURR		APPROVED	
22. PART AND FINISH SHALL BE		DESIGNED BY	
23. NUMBER OF PARTS SHALL BE		CHECKED BY	
24. MATERIAL: ALUMINUM ALLOY		DATE	
25. FINISH: CLEAN AND DEBURR		APPROVED	

