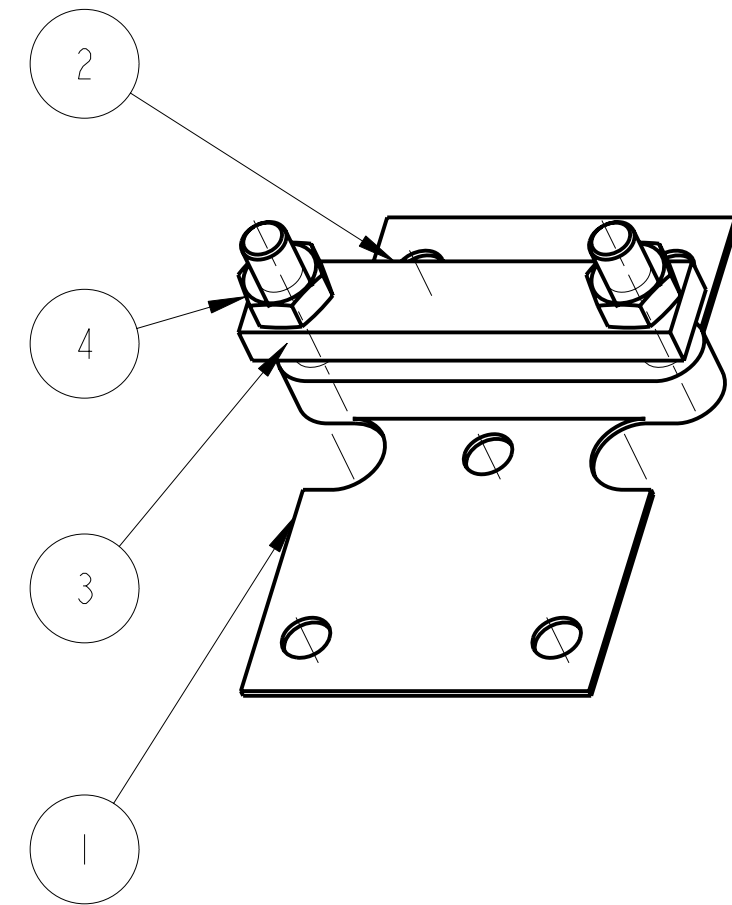
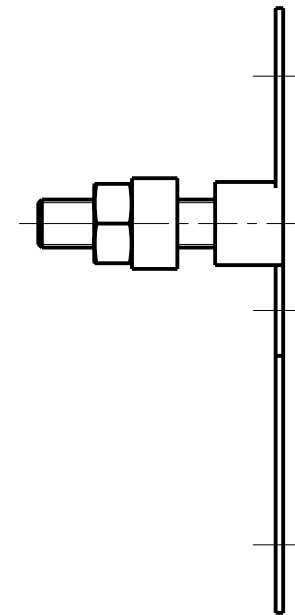
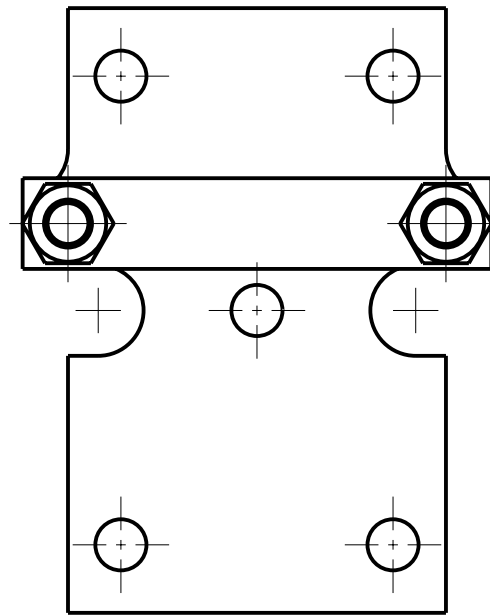


REV.	DATE	DCN #	DRAWING TREE #



ITEM	QTY	SPARE	TOTAL	PART NUMBER	DESCRIPTION	MATERIALS
1	1			D070220	UIM MASS TOP WIRE CLAMP; .	AL ALLOY: 5083 OR SIMILAR
2	1			D070226	CABLE CLAMP JAW; .	AL ALLOY: -----
3	2				1/4" 20 UNC X 1" CAP HEAD; .	
4	2				1/4 20 UNC NUT; .	

PARTS LIST

NOTES: (UNLESS OTHERWISE SPECIFIED)

- REMOVE ALL SHARP EDGES, R.02 MIN.
- DO NOT SCALE FROM DRAWING.
- ALL MACHINING FLUIDS SHALL BE WATER SOLUBLE AND FREE OF SULFUR, CHLORINE AND SILICONE, SUCH AS CINCINNATI MILACRON'S CIMTECH 410 (STAINLESS STEEL)
- SCRIBE, ENGRAVE OR STAMP DRAWING PART NUMBER ON NOTED SURFACE OF PART AND A THREE DIGIT SERIAL NUMBER. SERIAL NUMBERS START AT 001 FOR THE FIRST PART AND PROCEED CONSECUTIVELY. USE .07" HIGH CHARACTERS. EXAMPLE: D020188- 001. A VIBRATORY TOOL MAY BE USED.

DIMENSIONS ARE IN mm [INCHES]  
TOLERANCES:  
X.XX ±N/A mm  
ANGULAR ±N/A °

MATERIAL: AS DRW

FINISH:  
√μm [μin] Ra = -----

	NAME	DATE
DRAWN	I WILMUT	14/Jun/07
CHECKED	J'OD	14/JUN/07
APPROVED	IW	14/JUN/07

CALIFORNIA INSTITUTE OF TECHNOLOGY  
MASSACHUSETTS INSTITUTE OF TECHNOLOGY  
IGR, GLASGOW UNIVERSITY GEO 600 GROUP  
RUTHERFORD APPLETON LABORATORIES

SYSTEM **ADVANCED LIGO**

SUB-SYSTEM **SUS**

NEXT ASSY **QUAD N-PTYPE WIREING HARNESS**

PART NAME **UIM MASS TOP WIRE CLAMP**

SIZE **B** DRG. NO. **D070221** REV **A.**

SCALE 1:1 PROJECTION: SHEET 1 OF 1