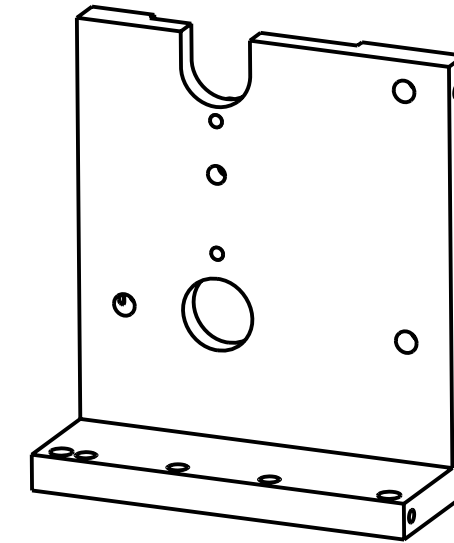
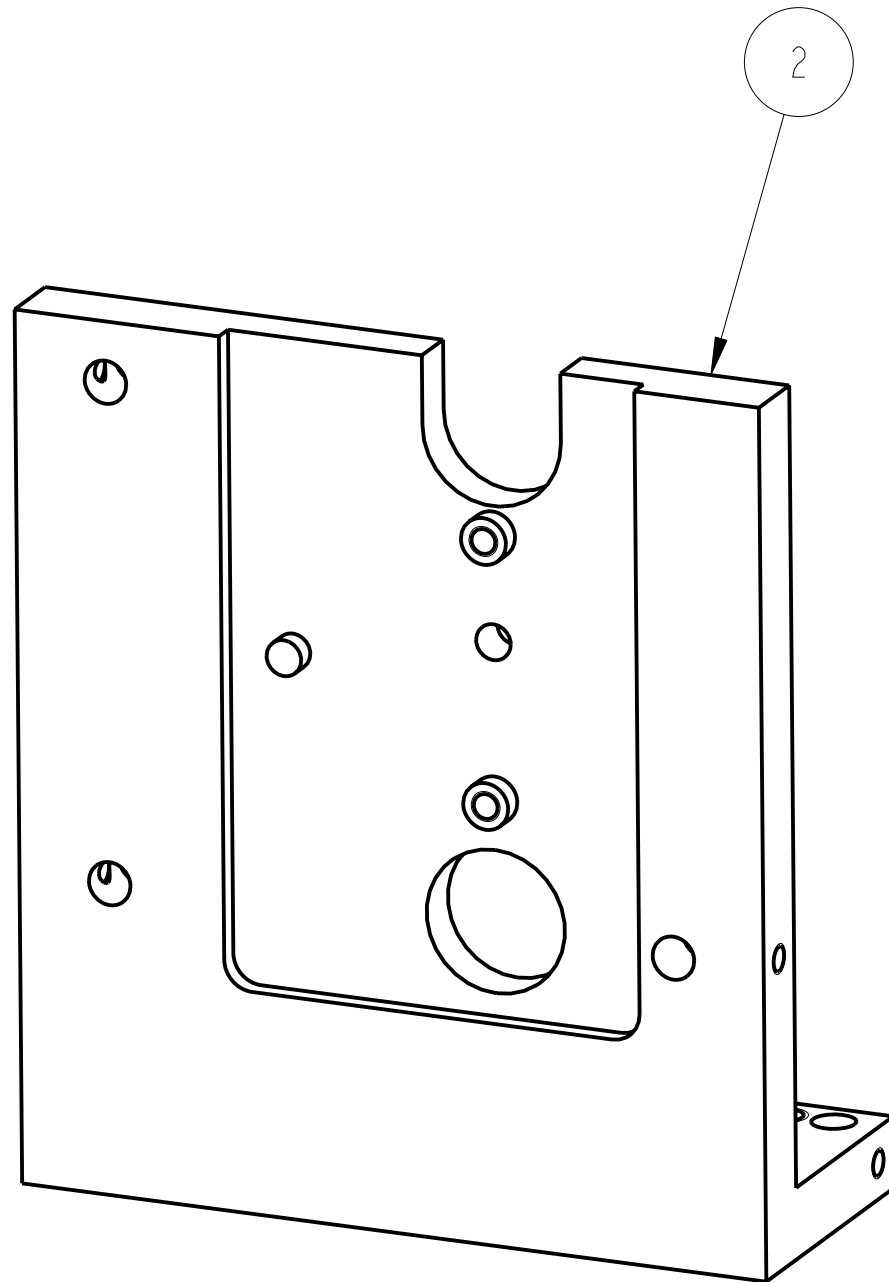


REV.	DATE	DCN #	DRAWING TREE #
B	21/DEC/07	E060260-B	



SCALE 1:2

ITEM	QTY	SPARE	TOTAL	PART NUMBER	DESCRIPTION	MATERIALS
1	2			D060336	2MM CAM; OSEM ADJUSTER	PH BRONZE: -----
2	1			D070546	REACTION CHAIN UIM STOP; LEFT HAND	AL ALLOY: 6061
3	1			D070548	UIM MASS STOP; BOTH CHAINS	AL ALLOY: 5083
4	3				1/4" 20 UNC X 2" CAP HEAD, SPHERICAL TIP; .	
5	7				8-32 UNC X 0.625" CAP HEAD; .	

PARTS LIST

NOTES: (UNLESS OTHERWISE SPECIFIED)

<ol style="list-style-type: none"> REMOVE ALL SHARP EDGES, R.02 MIN. DO NOT SCALE FROM DRAWING. ALL MACHINING FLUIDS SHALL BE WATER SOLUBLE AND FREE OF SULFUR, CHLORINE AND SILICONE, SUCH AS CINCINNATI MILACRON'S CIMTECH 410 (STAINLESS STEEL) SCRIBE, ENGRAVE OR STAMP DRAWING PART NUMBER ON NOTED SURFACE OF PART AND A THREE DIGIT SERIAL NUMBER. SERIAL NUMBERS START AT 001 FOR THE FIRST PART AND PROCEED CONSECUTIVELY. USE .07" HIGH CHARACTERS. EXAMPLE: D020188- 001. A VIBRATORY TOOL MAY BE USED. 	<p>DIMENSIONS ARE IN mm [INCHES]</p> <p>TOLERANCES:</p> <p>X.XX ±AS DRW mm °</p> <p>ANGULAR ±AS DRW °</p> <p>MATERIAL: AS DRW AS DRW</p> <p>FINISH: AS DRW</p> <p>√μm [μin] Ra = AS DRW</p> <table border="1" style="width: 100%;"> <tr> <th>NAME</th> <th>DATE</th> </tr> <tr> <td>DRAWN I WILMUT</td> <td>05/Dec/07</td> </tr> <tr> <td>CHECKED J'OD</td> <td>10/DEC/07</td> </tr> <tr> <td>APPROVED IW</td> <td>10/DEC/07</td> </tr> </table>	NAME	DATE	DRAWN I WILMUT	05/Dec/07	CHECKED J'OD	10/DEC/07	APPROVED IW	10/DEC/07
NAME	DATE								
DRAWN I WILMUT	05/Dec/07								
CHECKED J'OD	10/DEC/07								
APPROVED IW	10/DEC/07								

CALIFORNIA INSTITUTE OF TECHNOLOGY
 MASSACHUSETTS INSTITUTE OF TECHNOLOGY
 IGR, GLASGOW UNIVERSITY GEO 600 GROUP
 RUTHERFORD APPLETON LABORATORIES

SYSTEM **ADVANCED LIGO**

SUB-SYSTEM **SUS**

NEXT ASSY **AS DRW**

PART NAME **UIM RC E'QUAKE STOP ASSY #1**

SIZE **B**

DRG. NO. **D070541**

SCALE 1:1 PROJECTION: SHEET 1 OF 1