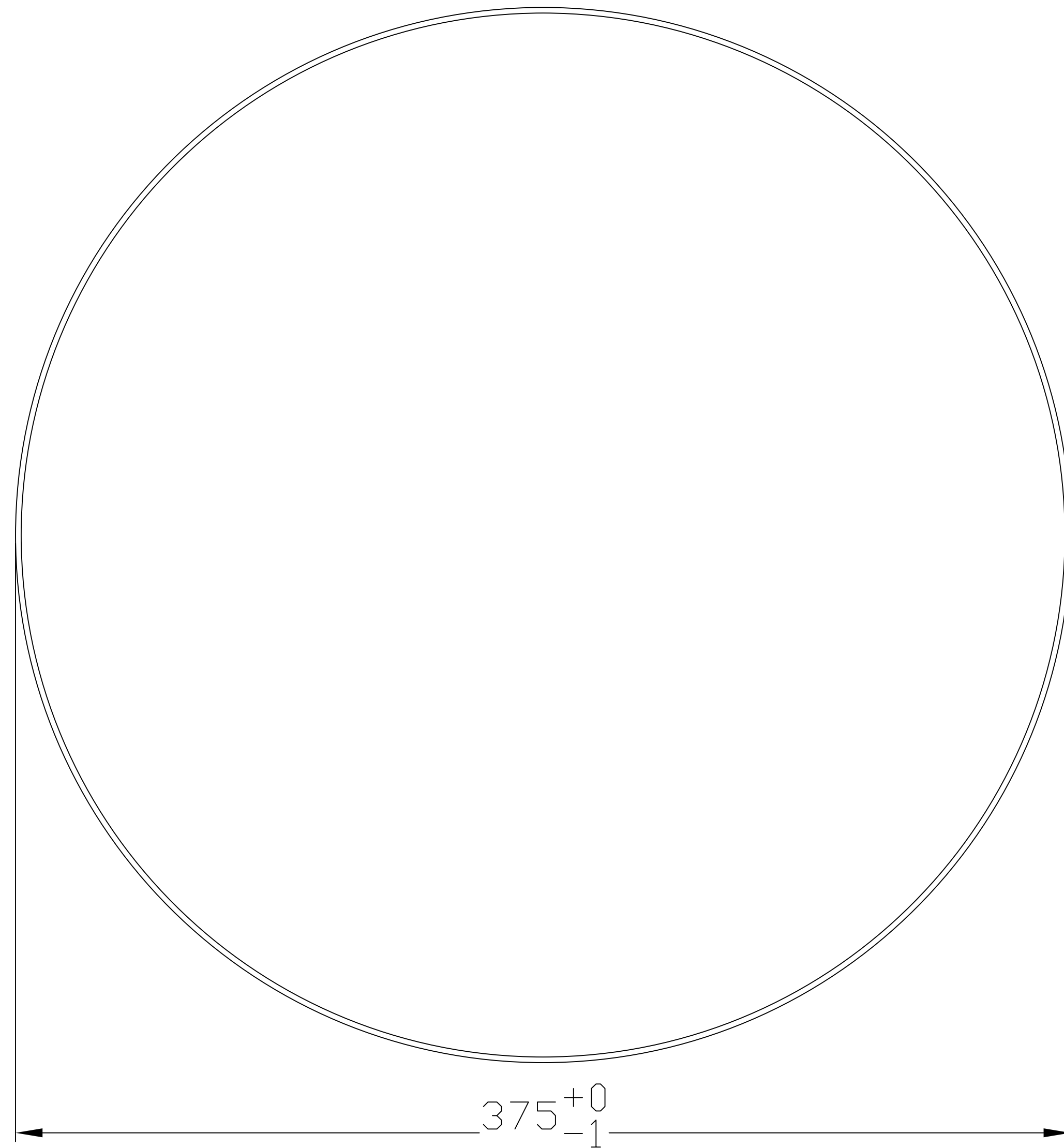
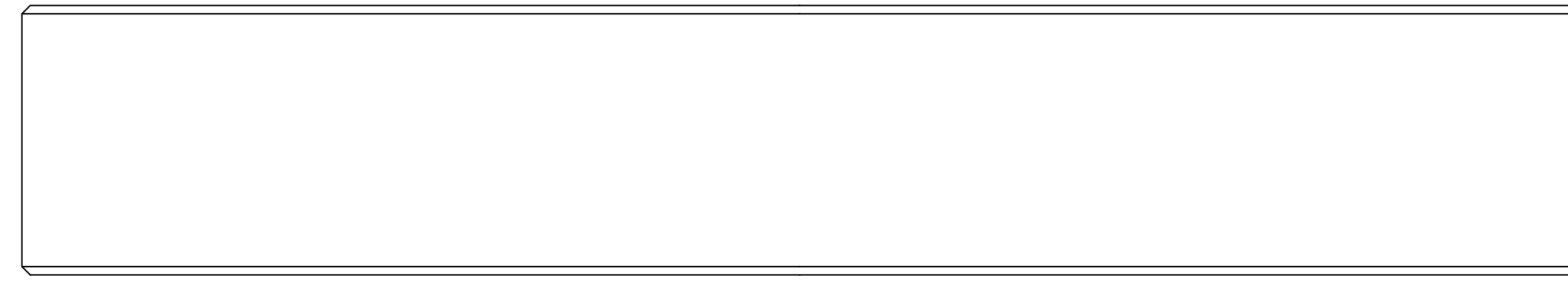
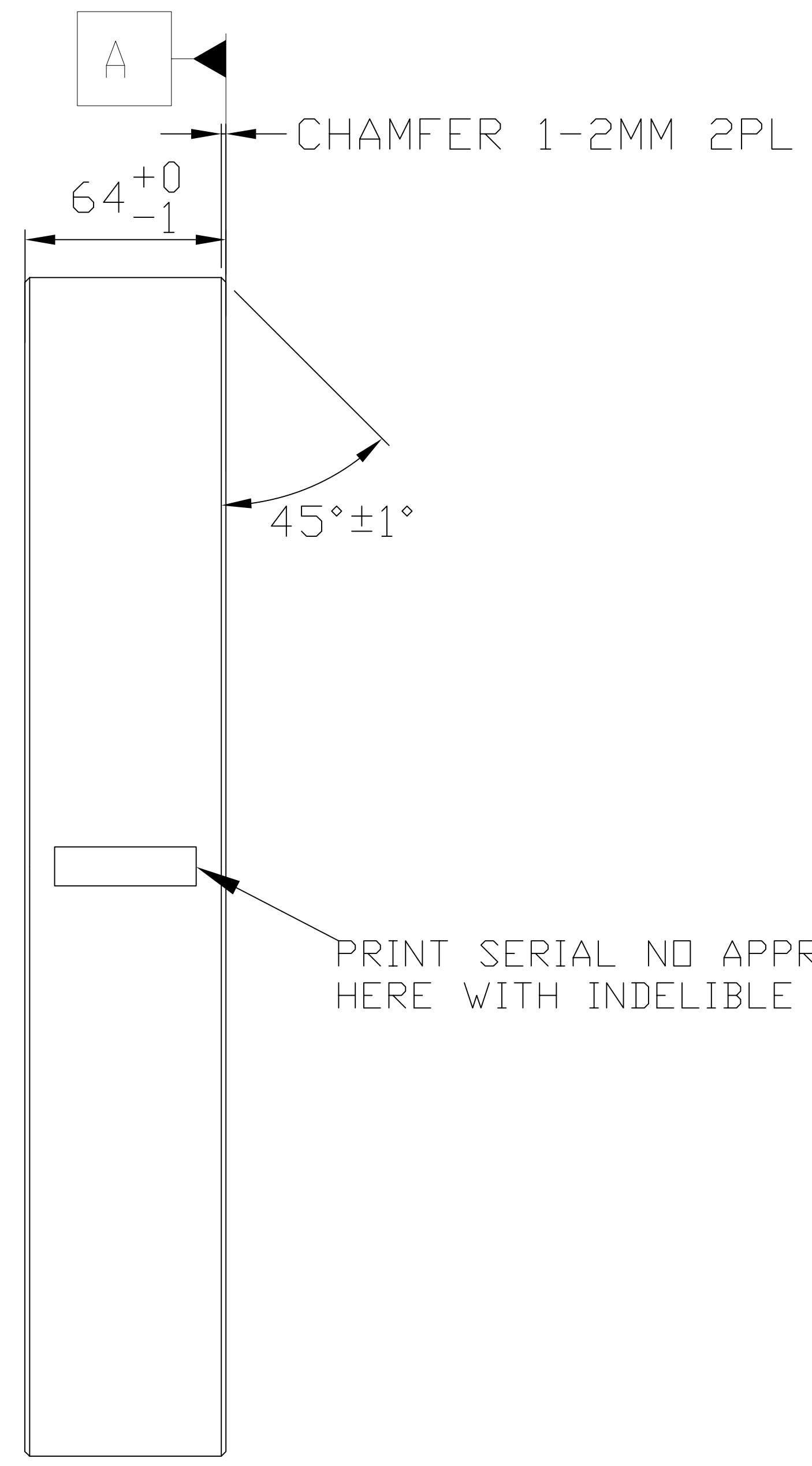



REV.	DESCRIPTIONS	DATE	APPROVED
A	SEE DCN E080046-A	01/23/08	



ϕ	.4 mm
\perp	.3mm (S) A

UNLESS OTHERWISE SPECIFIED: DIMENSIONS ARE IN mm		DATE	NAME	 CALIFORNIA INSTITUTE OF TECHNOLOGY MASSACHUSETTS INSTITUTE OF TECHNOLOGY
DRAWN	01/30/08	V	PARAMES	
TOLERANCES: FRACTIONAL: ANGULAR: TWO PLACE DECIMAL: THREE PLACE DECIMAL:		CHECKED		SYSTEM
				SUB-SYSTEM
				NEXT ASSY
				PART NAME: ADLIGO FM MIRROR BLANK
MATERIAL: LOW INCLUSION FUSED SILICA AS PER E080045-A ADLIGO FM MIRROR BLANK		COMMENTS:		SIZE D
FINISH:				DWG. NO. D080054
				SCALE: DO NOT SCALE DRAWING
				REV A
				SHEET 1 OF 1