

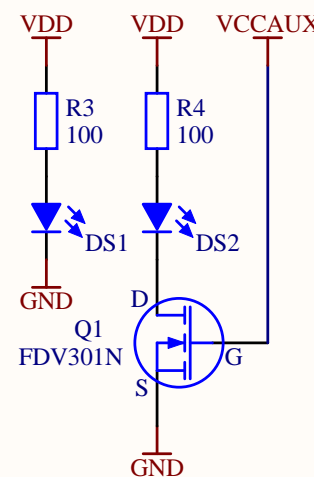
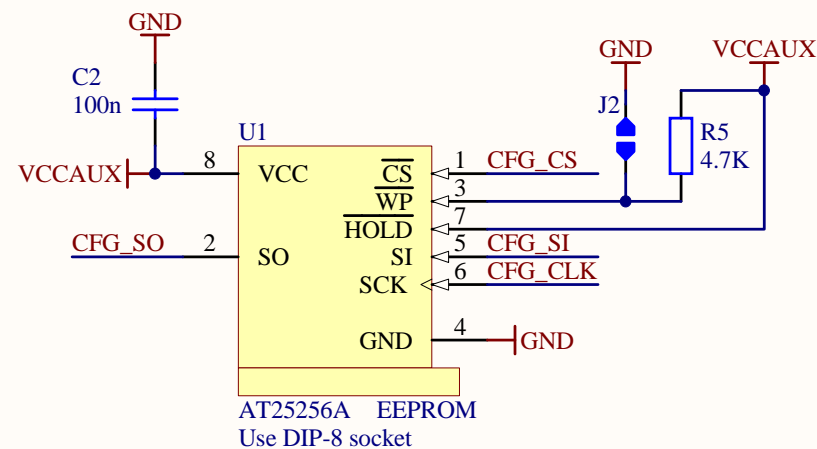
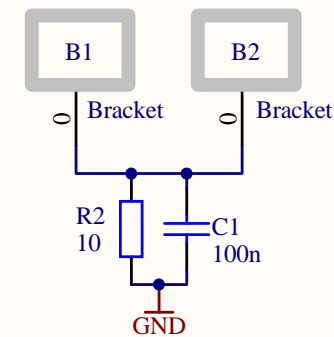
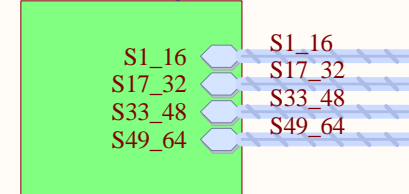
A

B

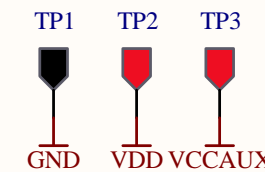
C

D

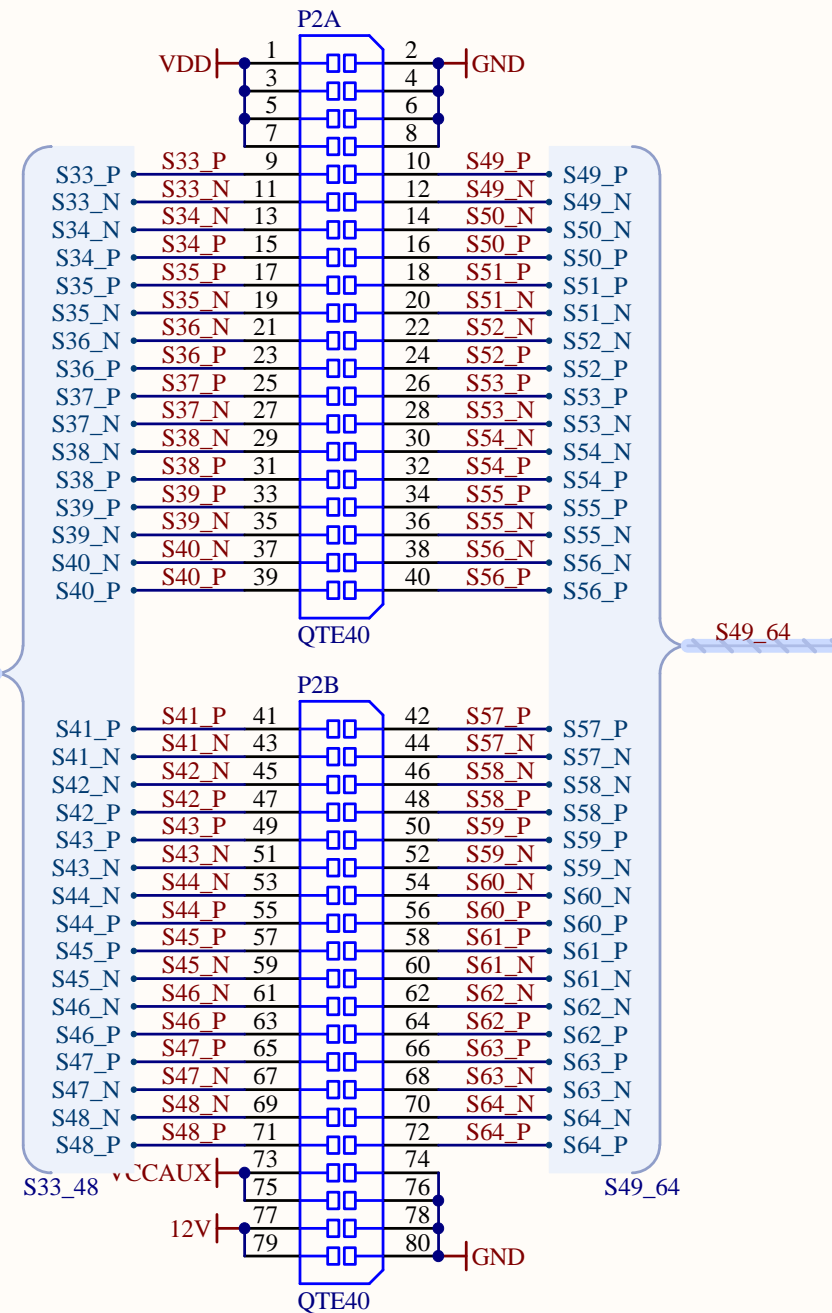
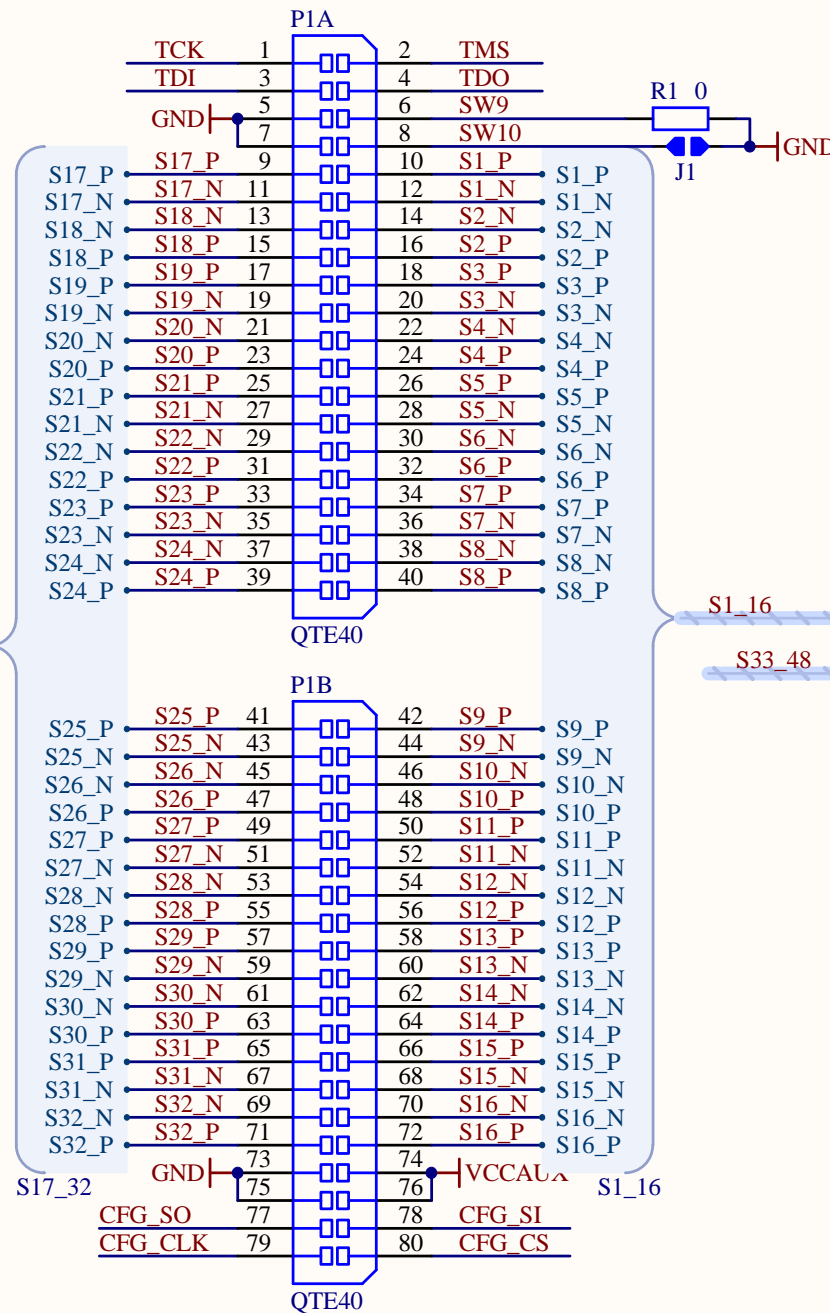
Interface  
OnePPSLocking2.SchDoc



Board-to-board spacing is 11 mm with -3



Title		
<b>Timing Interface 1 PPS Locking</b>		
Size	Number	Revision
A	<b>D080665</b>	<b>A</b>
Date:	11/12/2008	Sheet 1 of 2
File:	C:\User\...\OnePPSLocking1.SchDoc	Drawn By: Daniel Sigg

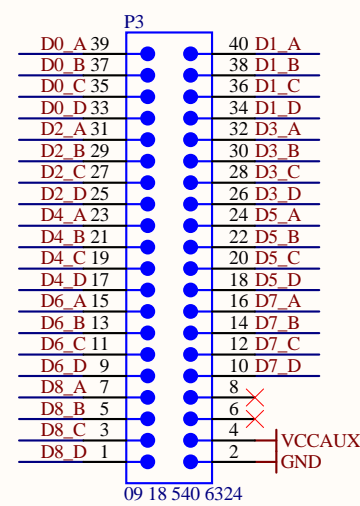
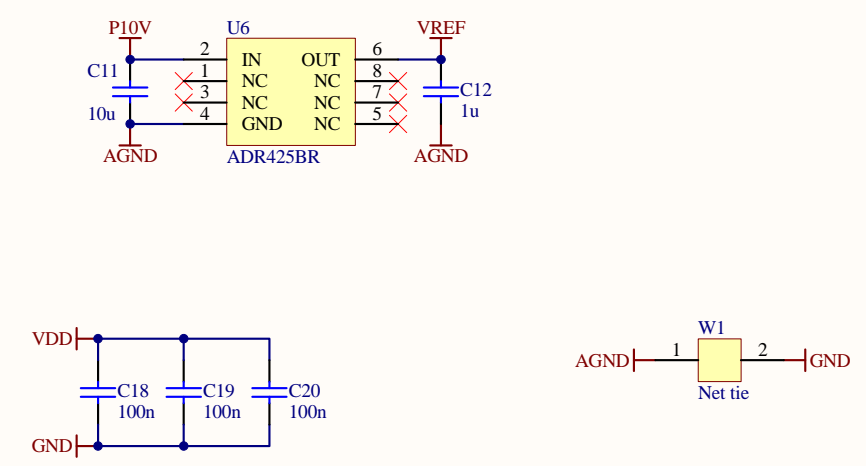
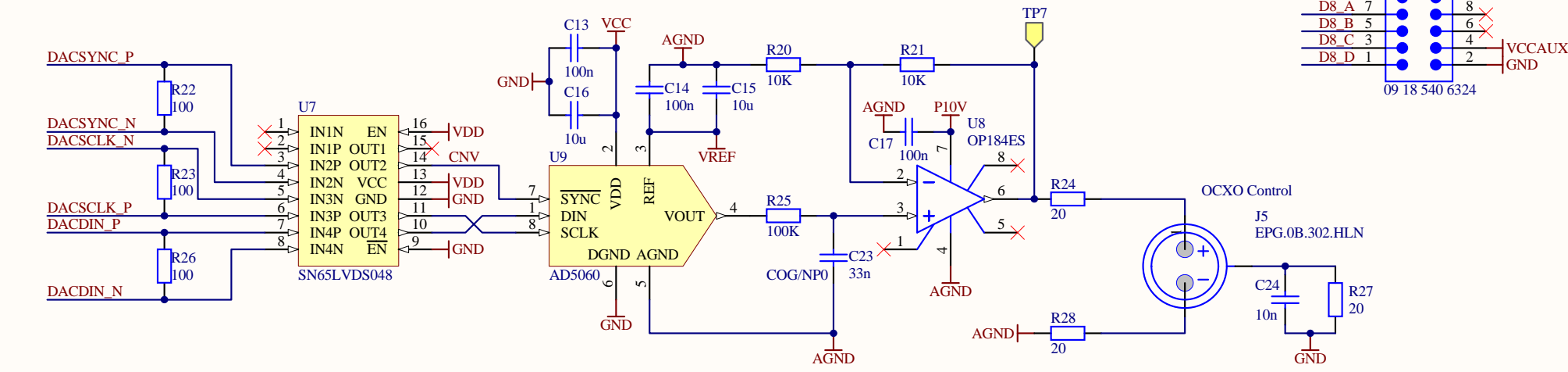
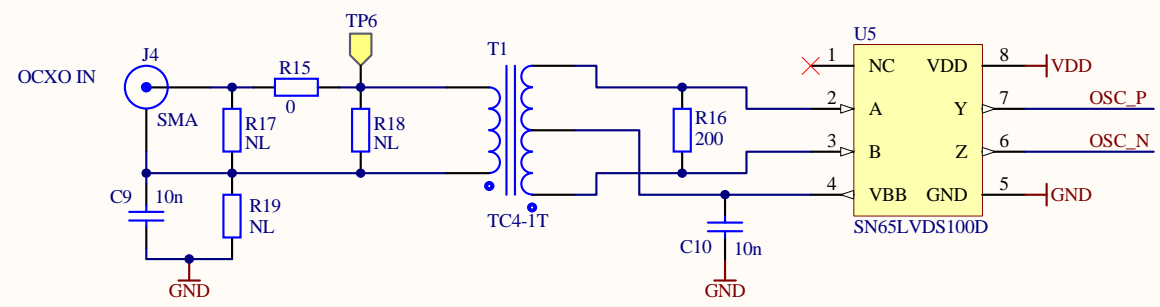
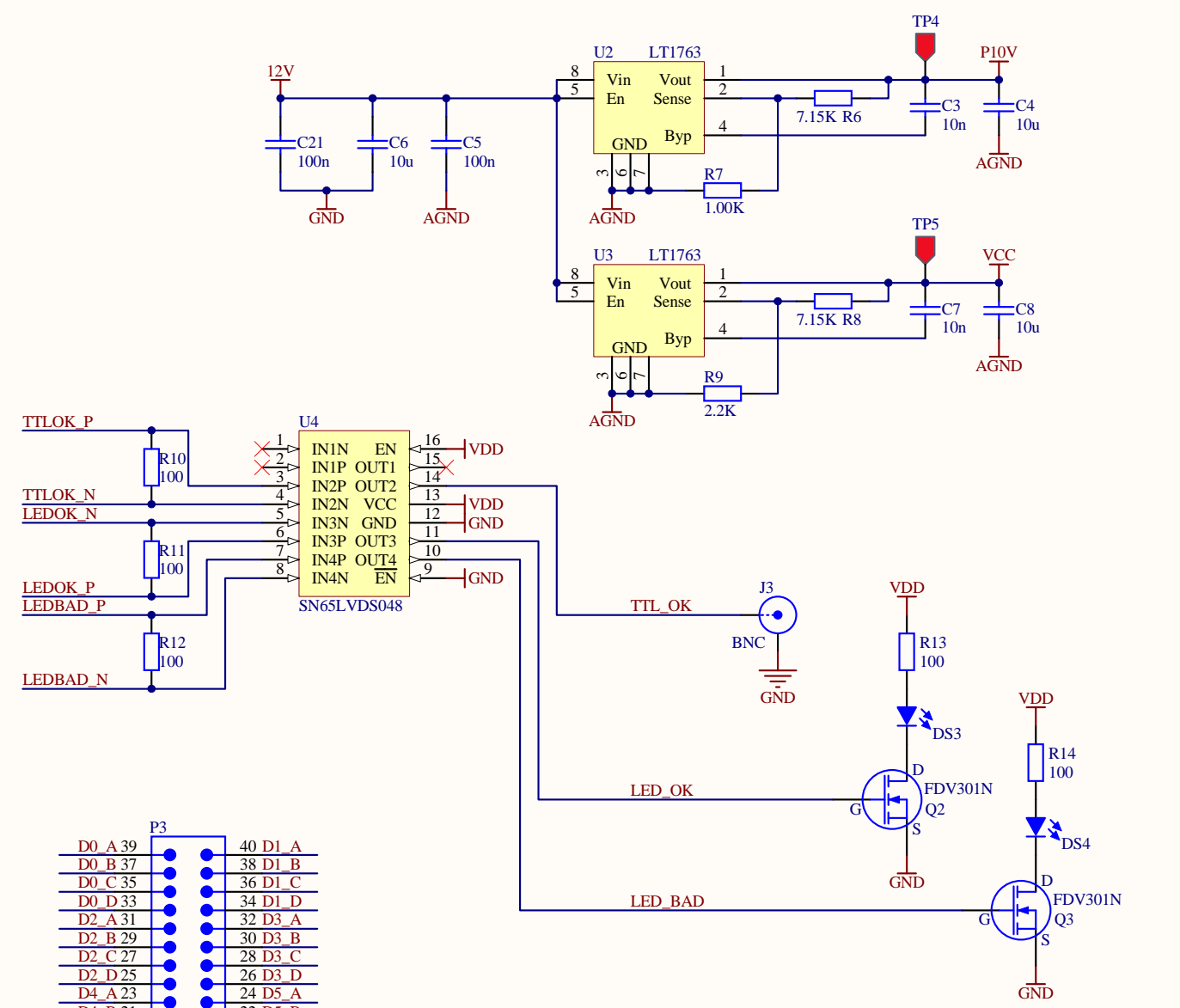
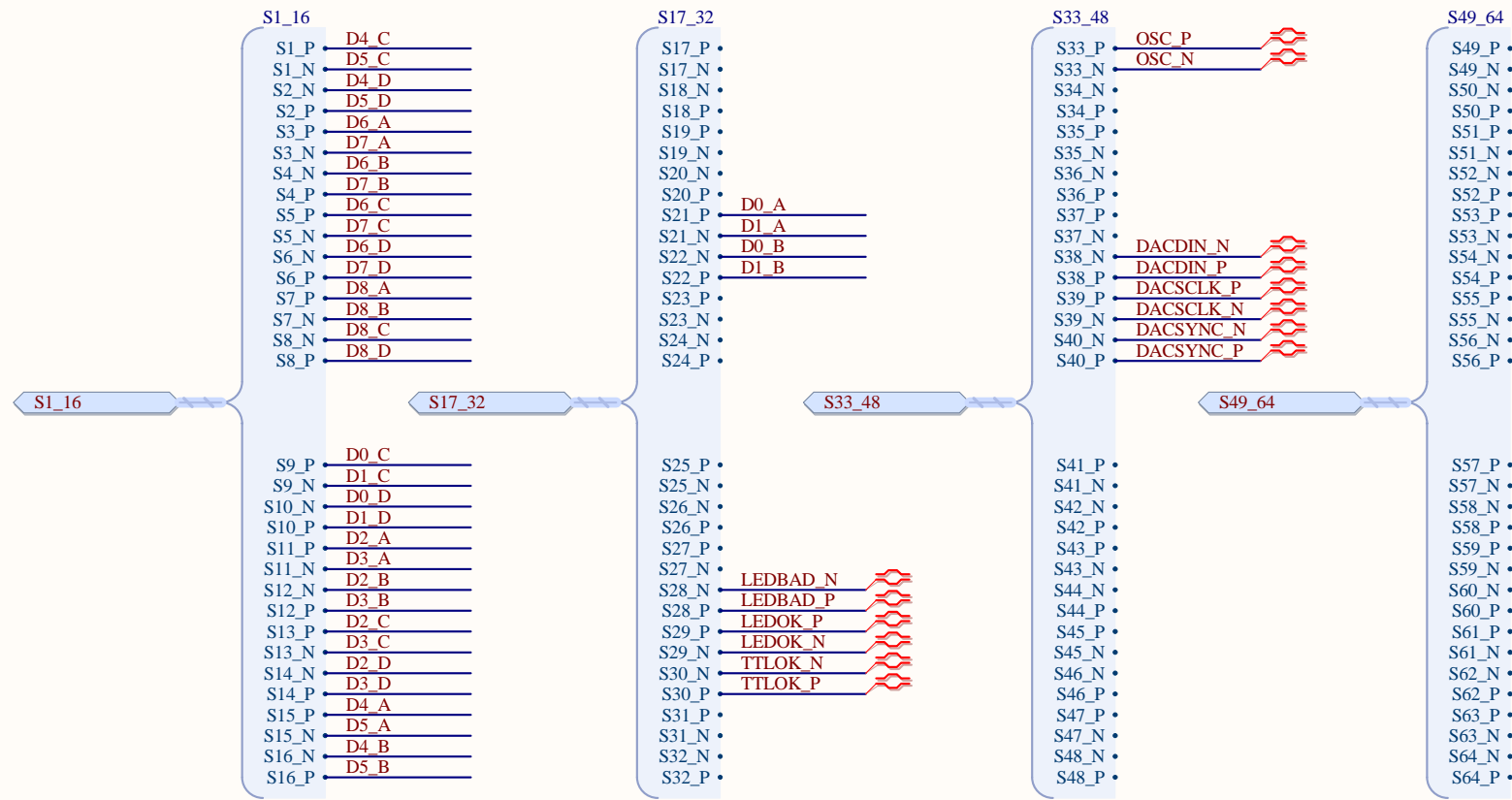


A

B

C

D



Title		
<b>Timing Interface 1 PPS Locking</b>		
Size	Number	Revision
B	D080665	A
Date:	11/12/2008	Sheet 2 of 2
File:	C:\User\...\OnePPSLocking2.SchDoc	Drawn By: Daniel Sigg