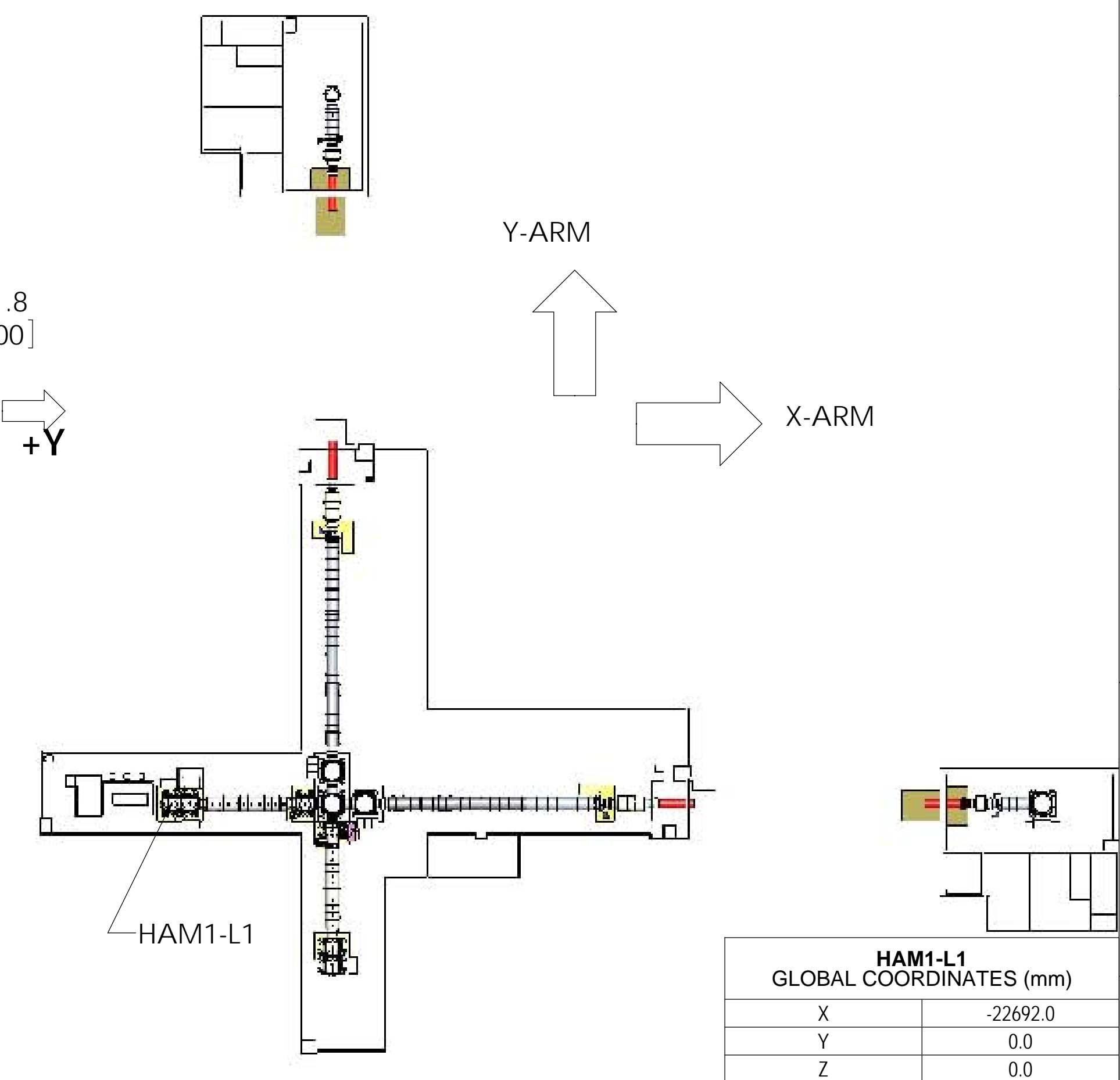
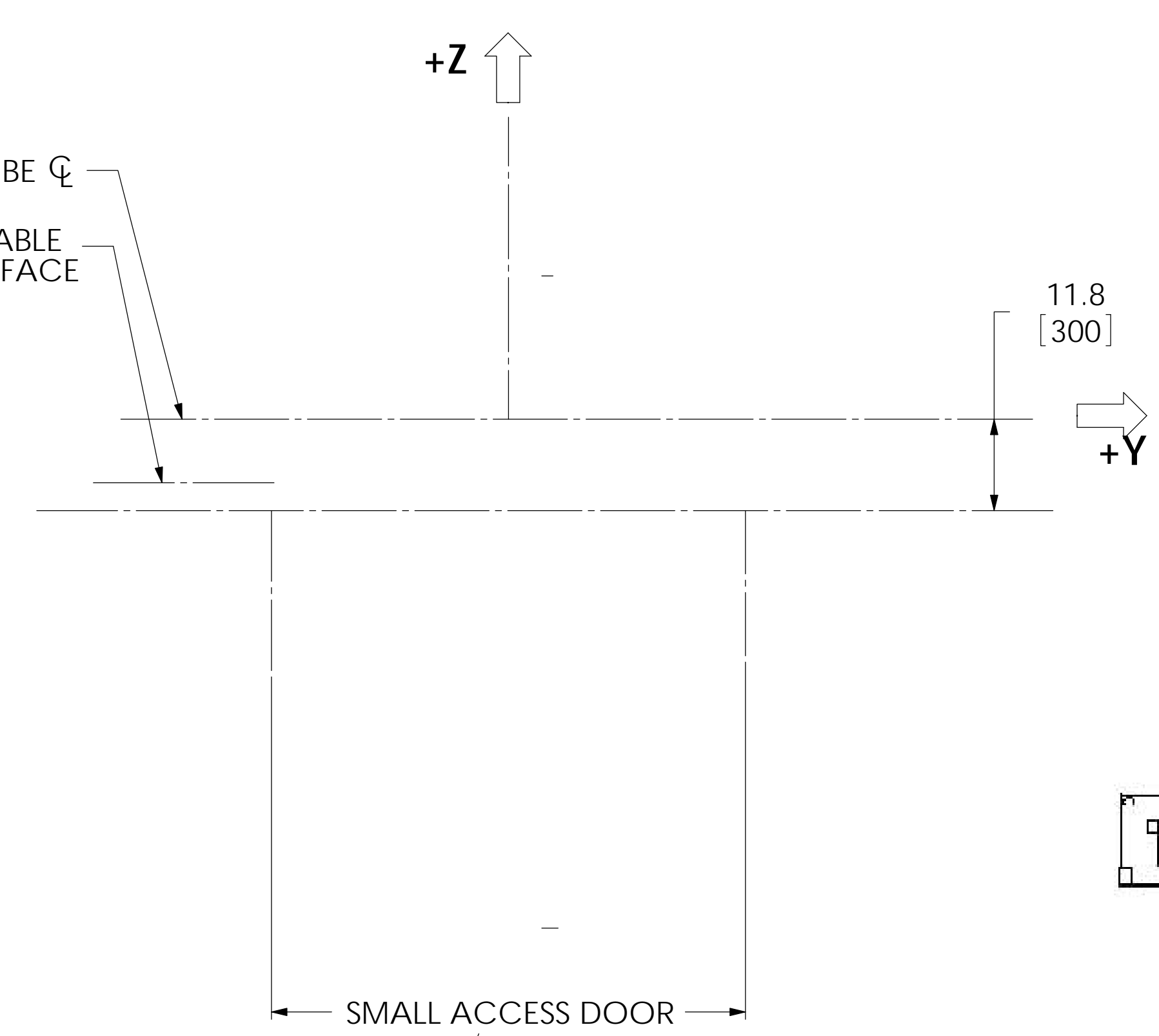
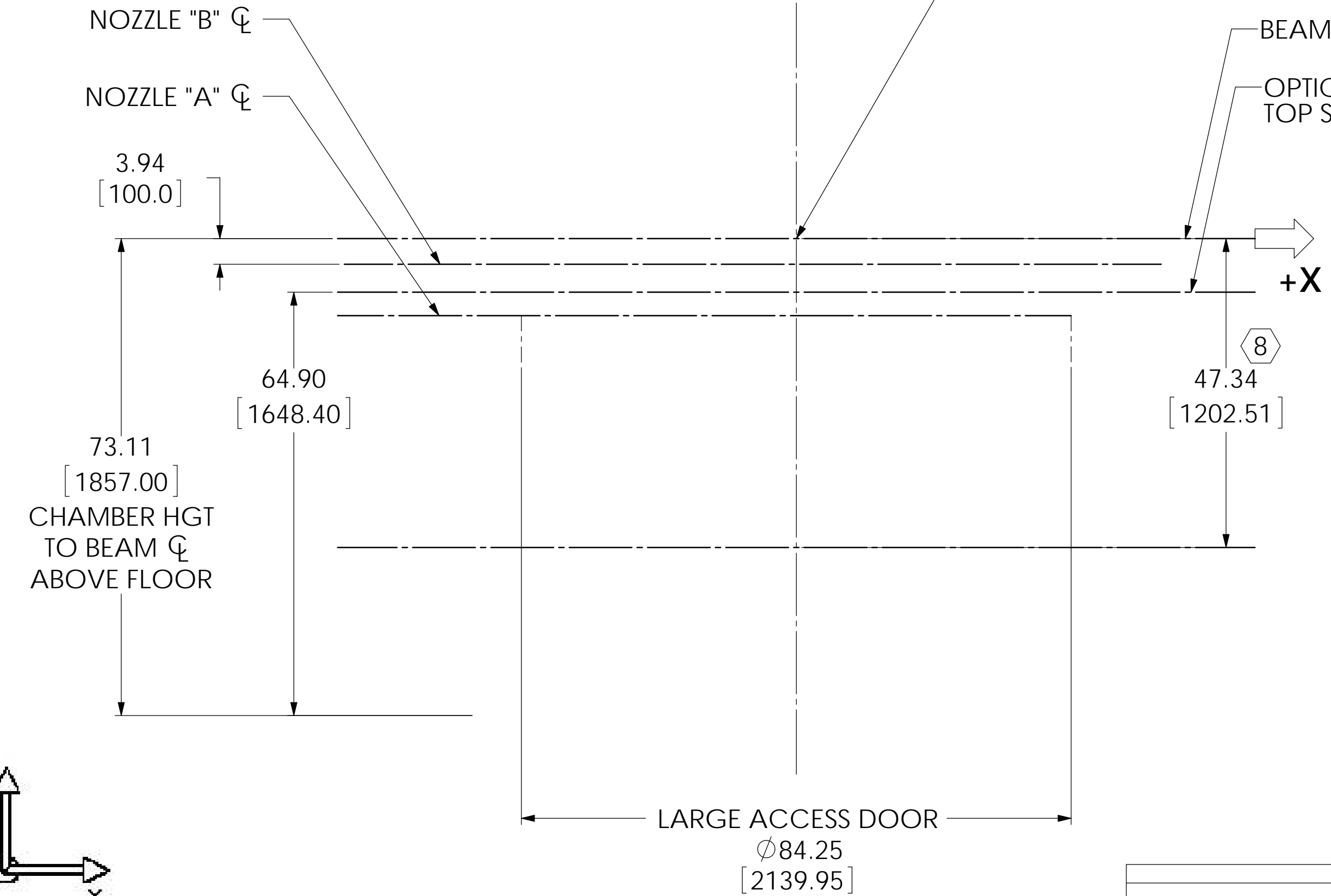
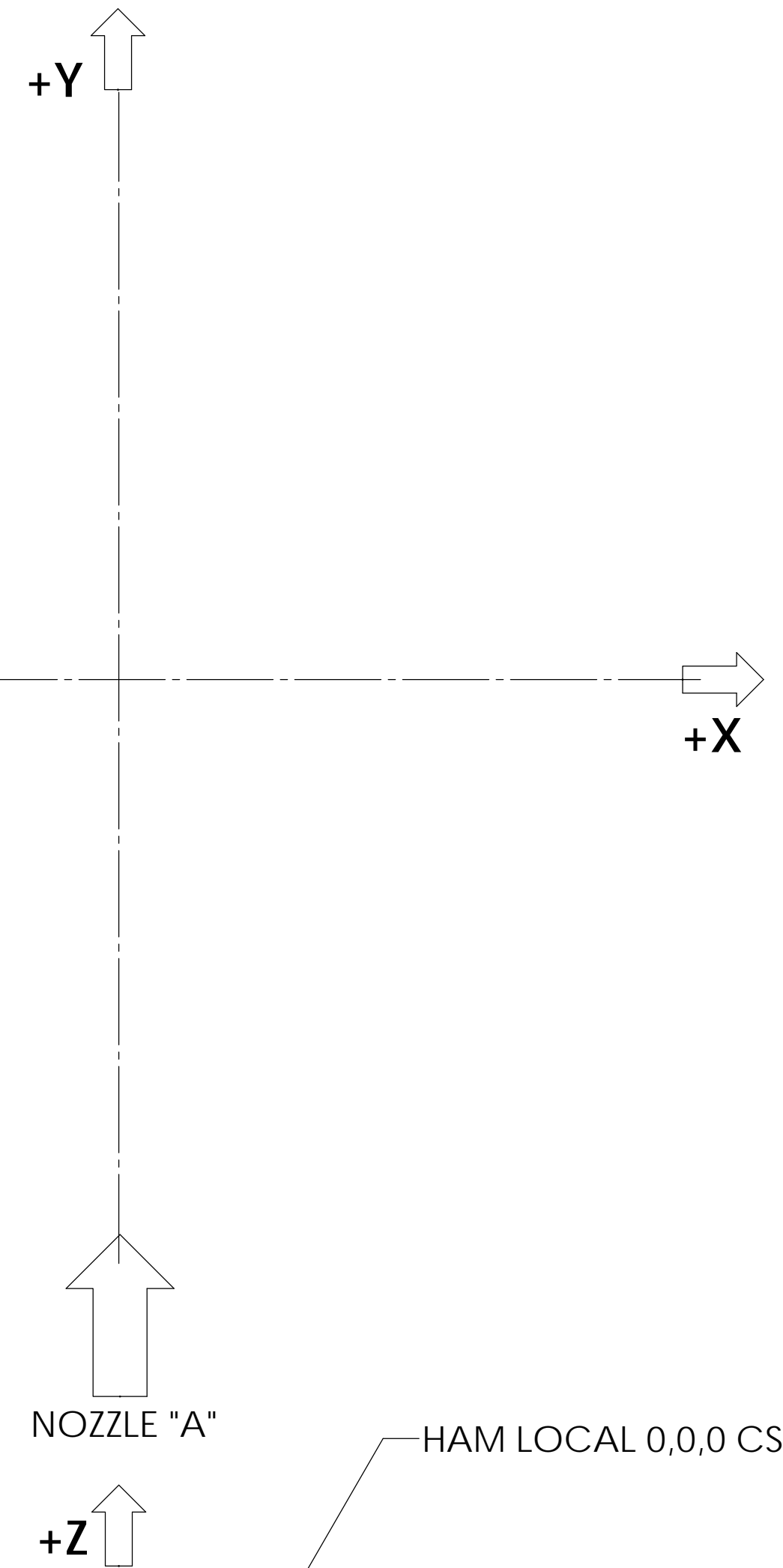
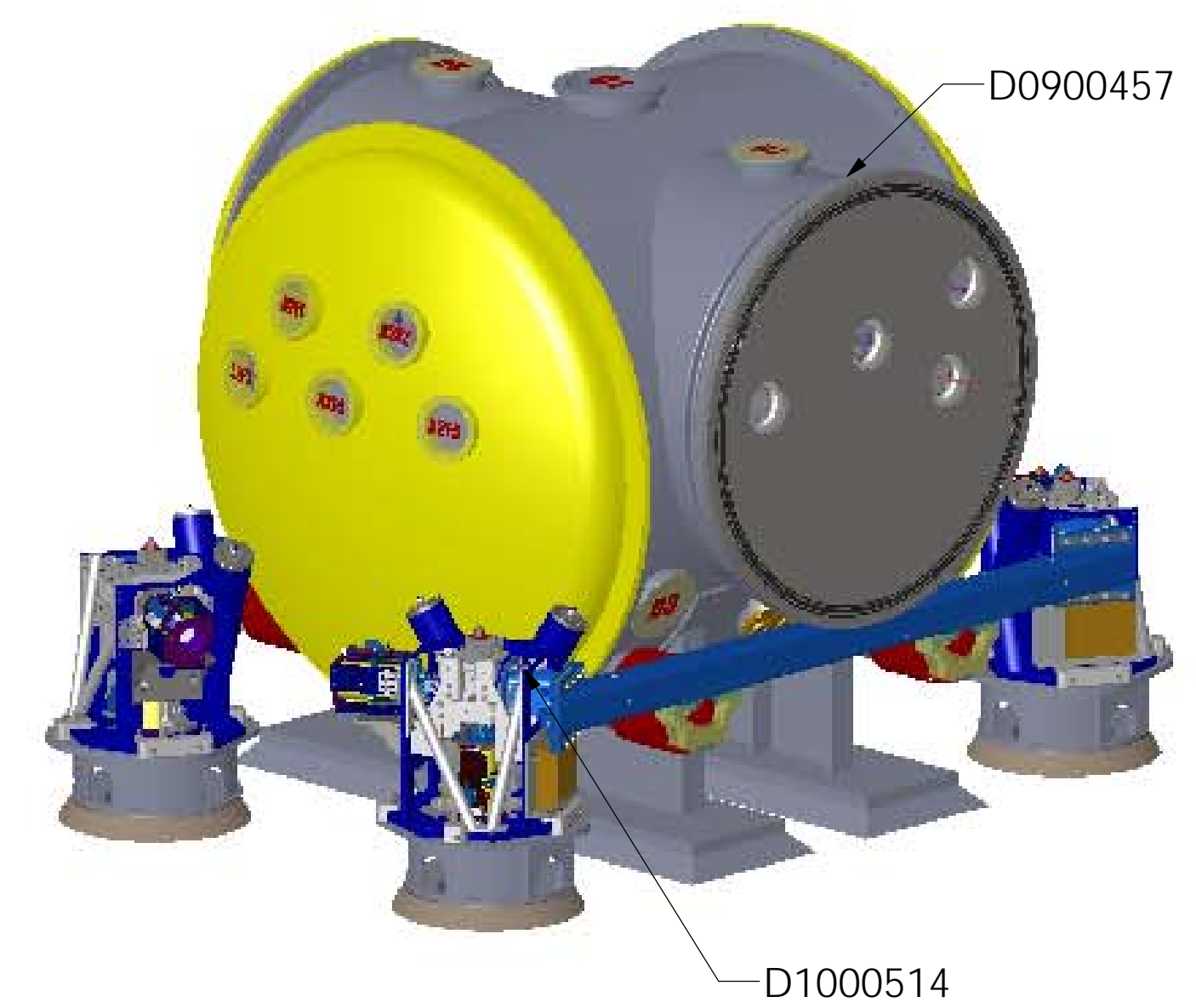
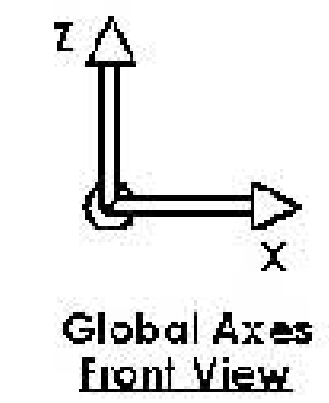


REV.	DATE	DCN #	DRAWING TREE #
v5	05 OCT 2012		
v6	18 OCT 2012		
v7	12 JAN 2012		

- 5. REFER TO DOCUMENT D1101296 FOR OPTICAL TABLE HOLE TABULATION CONVENTION.
- 6. REFER TO G1000125 FOR ISI NAMING AND ORIENTATION CONVENTION.
- 7. REFER TO T1100292 FOR VIEWPORT DEFINITION.
- 8. DIMENSION WRT TO LOCAL BUILDING CS. REFER TO E1200625 FOR LOCAL COORDINATES OF SUPPORT TUBE ENDS.



HAM1-L1 GLOBAL COORDINATES (mm)	
X	-22692.0
Y	0.0
Z	0.0



FRONT VIEW

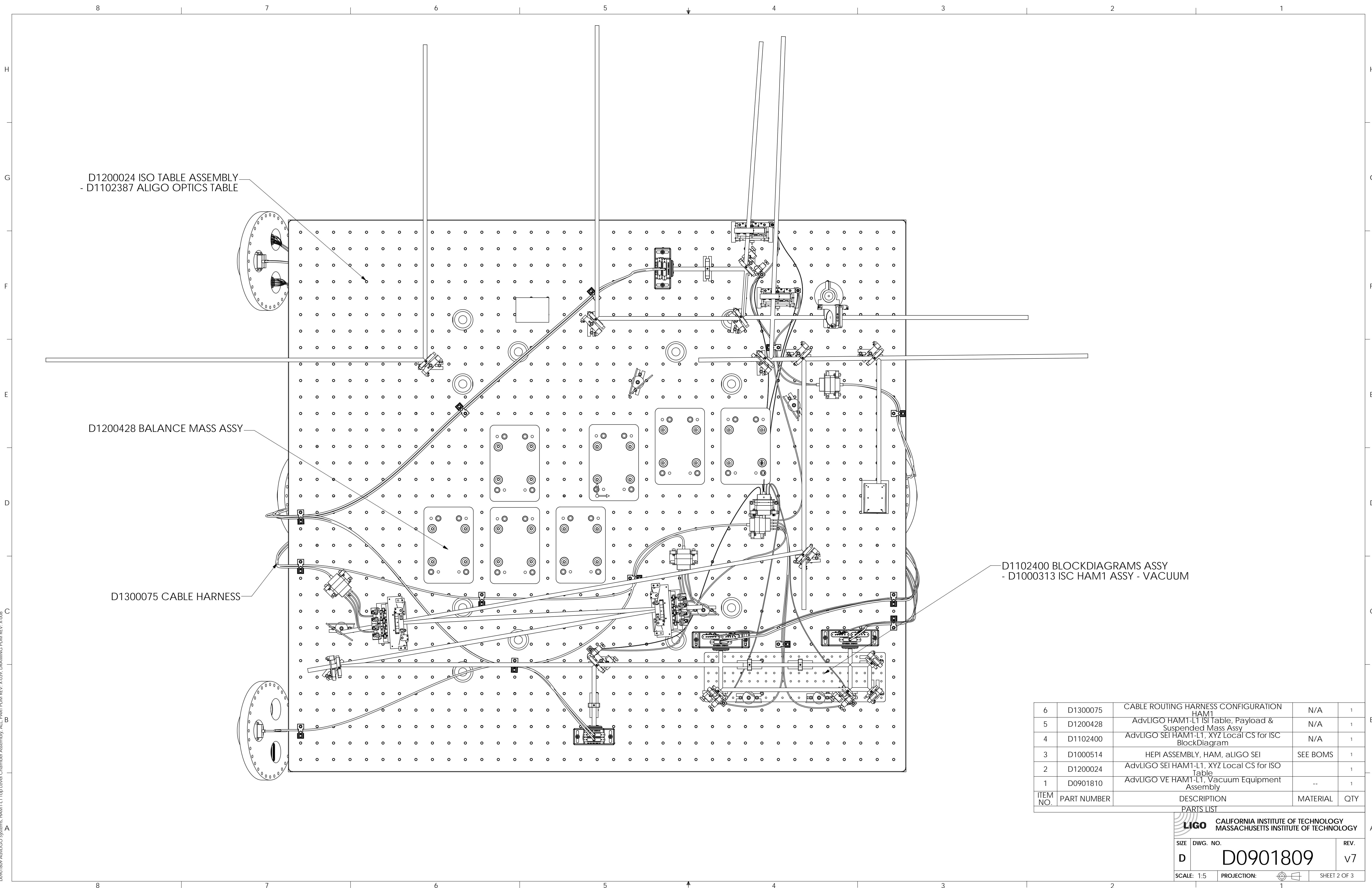
RIGHT VIEW

NOTES AND TOLERANCES: (UNLESS OTHERWISE SPECIFIED)	
1. INTERPRET DRAWING PER ASME Y14.5-1994.	
2. REMOVE ALL SHARP EDGES, .005-.015, FOR MACHINED PARTS. ROUND ALL EDGES APPROXIMATELY R.02 FOR SHEET METAL PARTS.	
3. DO NOT SCALE FROM DRAWING.	
4. ALL MACHINING FLUIDS MUST BE FULLY SYNTHETIC, FULLY WATER SOLUBLE AND FREE OF SULFUR, SILICONE, AND CHLORINE.	
DIMENSIONS ARE IN INCHES	
TOLERANCES:	
.XX ± 0.01	
.XXX ± 0.005	
ANGULAR ± 0.5°	
MATERIAL	--
FINISH	-- μinch

LIGO CALIFORNIA INSTITUTE OF TECHNOLOGY MASSACHUSETTS INSTITUTE OF TECHNOLOGY	SYSTEM ADVANCED LIGO	SUB-SYSTEM SUS	NEXT ASSY
---	--------------------------------	--------------------------	-----------

PART NAME HAM1-L1 TOP LEVEL CHAMBER ASSEMBLY, FULLY FINISHED			
DESIGNER N. CUSTARD	02 FEB 2012	SIZE D	DWG. NO. D0901809
DRAFTER ED CHAVEZ	02 JUN 2012	SCALE: 1:16	PROJECTION:
CHECKER			SHEET 1 OF 3
APPROVAL			REV. v7

D0901809 A04/LIGO Systems: HAM1-L1 Top Level Chamber Assembly: ALL PART PDM REV: X-039: DRAWING PDM REV: X-008



ITEM NO.	PART NUMBER	DESCRIPTION	MATERIAL	QTY
6	D1300075	CABLE ROUTING HARNESS CONFIGURATION HAM1	N/A	1
5	D1200428	AdvLIGO HAM1-L1 ISI Table, Payload & Suspended Mass Assy	N/A	1
4	D1102400	AdvLIGO SEI HAM1-L1, XYZ Local CS for ISC BlockDiagram	N/A	1
3	D1000514	HEPI ASSEMBLY, HAM, aLIGO SEI	SEE BOMS	1
2	D1200024	AdvLIGO SEI HAM1-L1, XYZ Local CS for ISO Table		1
1	D0901810	AdvLIGO VE HAM1-L1, Vacuum Equipment Assembly	--	1

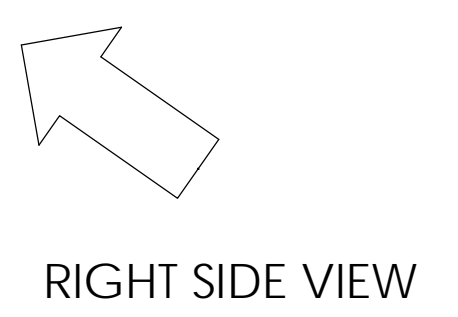
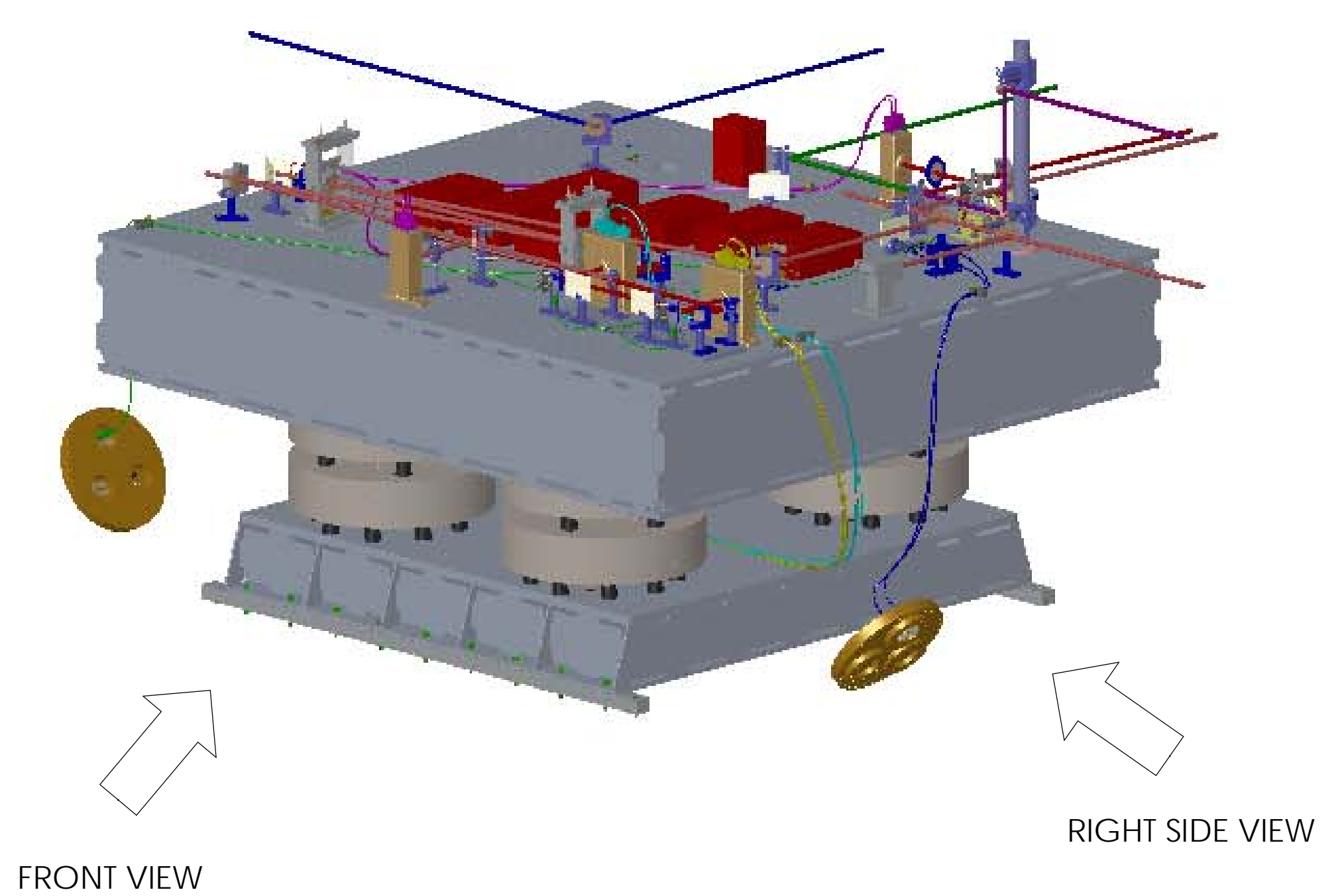
LIGO CALIFORNIA INSTITUTE OF TECHNOLOGY
MASSACHUSETTS INSTITUTE OF TECHNOLOGY

SIZE	DWG. NO.	REV.
D	D0901809	v7
SCALE: 1:5	PROJECTION:	SHEET 2 OF 3

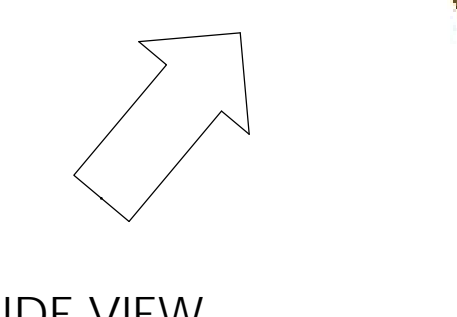
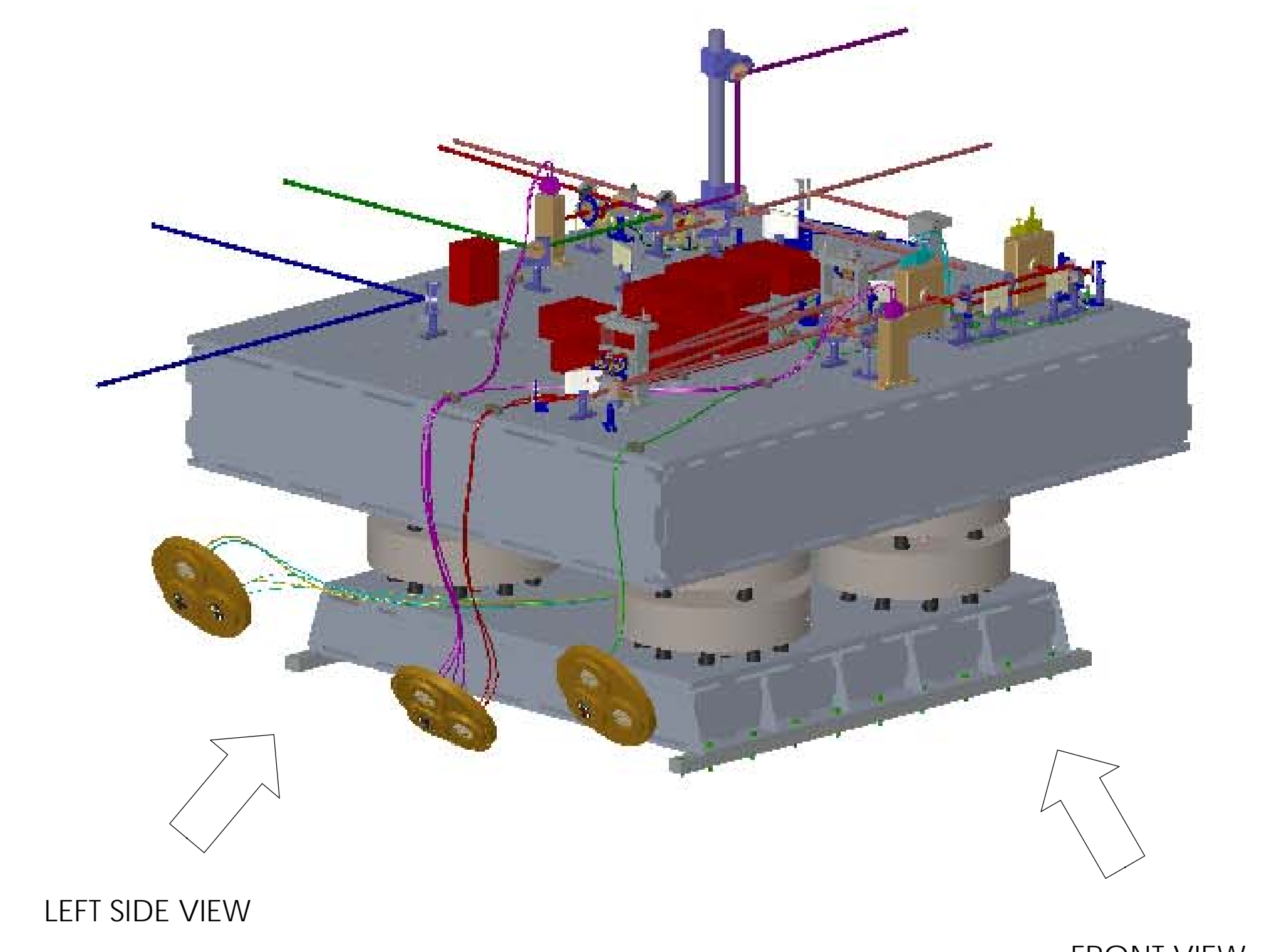
D0901809 AdvLIGO Systems: HAM1-L1 Top Level Chamber Assembly: ALL PART PDM REV. X-0379: DRAWING PDM REV. X-0308

8 7 6 5 4 3 2 1

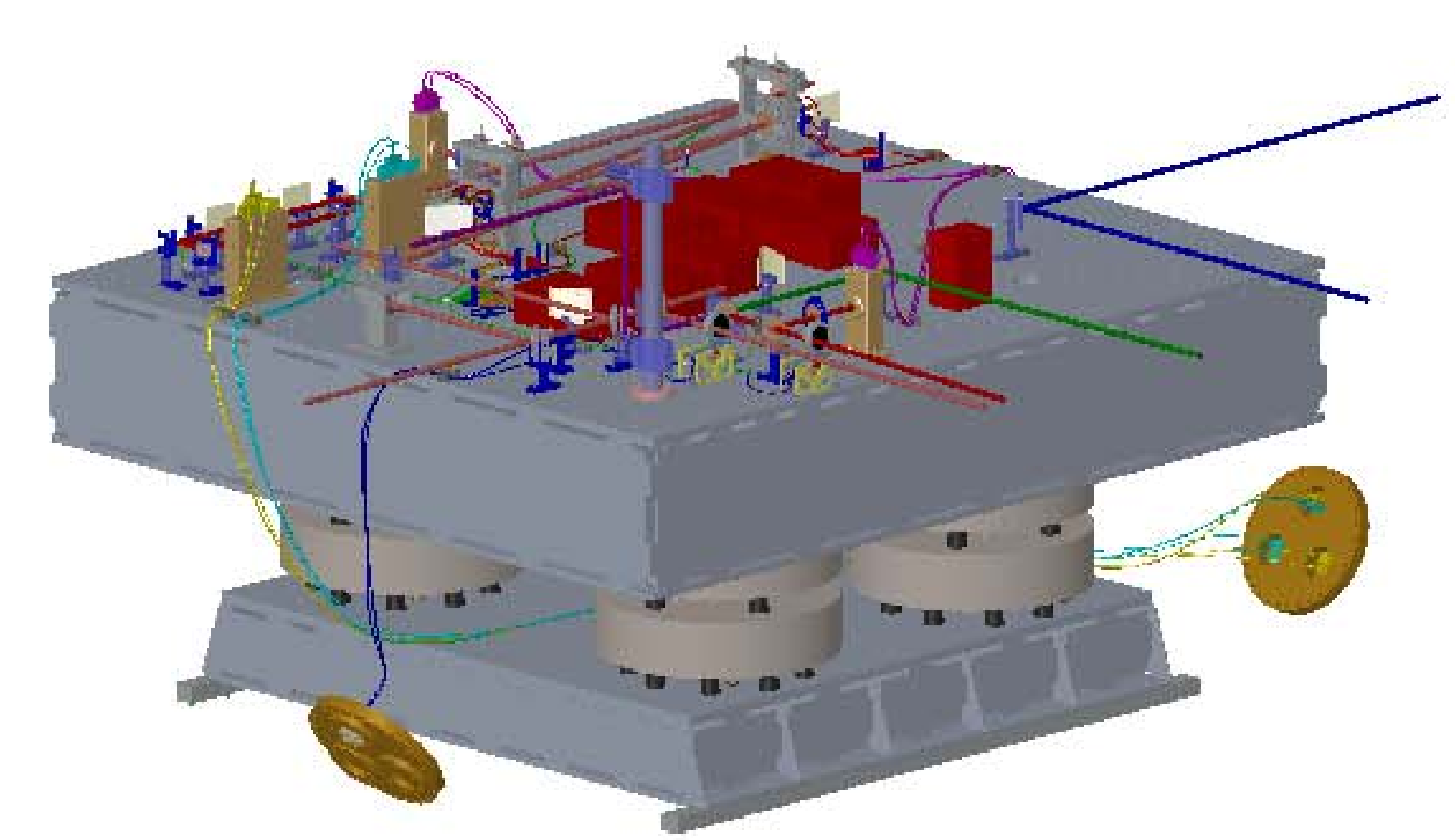
H G F E D C B A



RIGHT SIDE VIEW



LEFT SIDE VIEW



LIGO CALIFORNIA INSTITUTE OF TECHNOLOGY MASSACHUSETTS INSTITUTE OF TECHNOLOGY		
SIZE	DWG. NO.	REV.
D	D0901809	v7
SCALE: 1:12	PROJECTION:	SHEET 3 OF 3

D0901809 Asm.LIGO Systems: HAMT-L1 Top Level Chamber Assembly: ALL PART PDM REV. X-039: DRAWING PDM REV. X-008

8 7 6 5 4 3 2 1