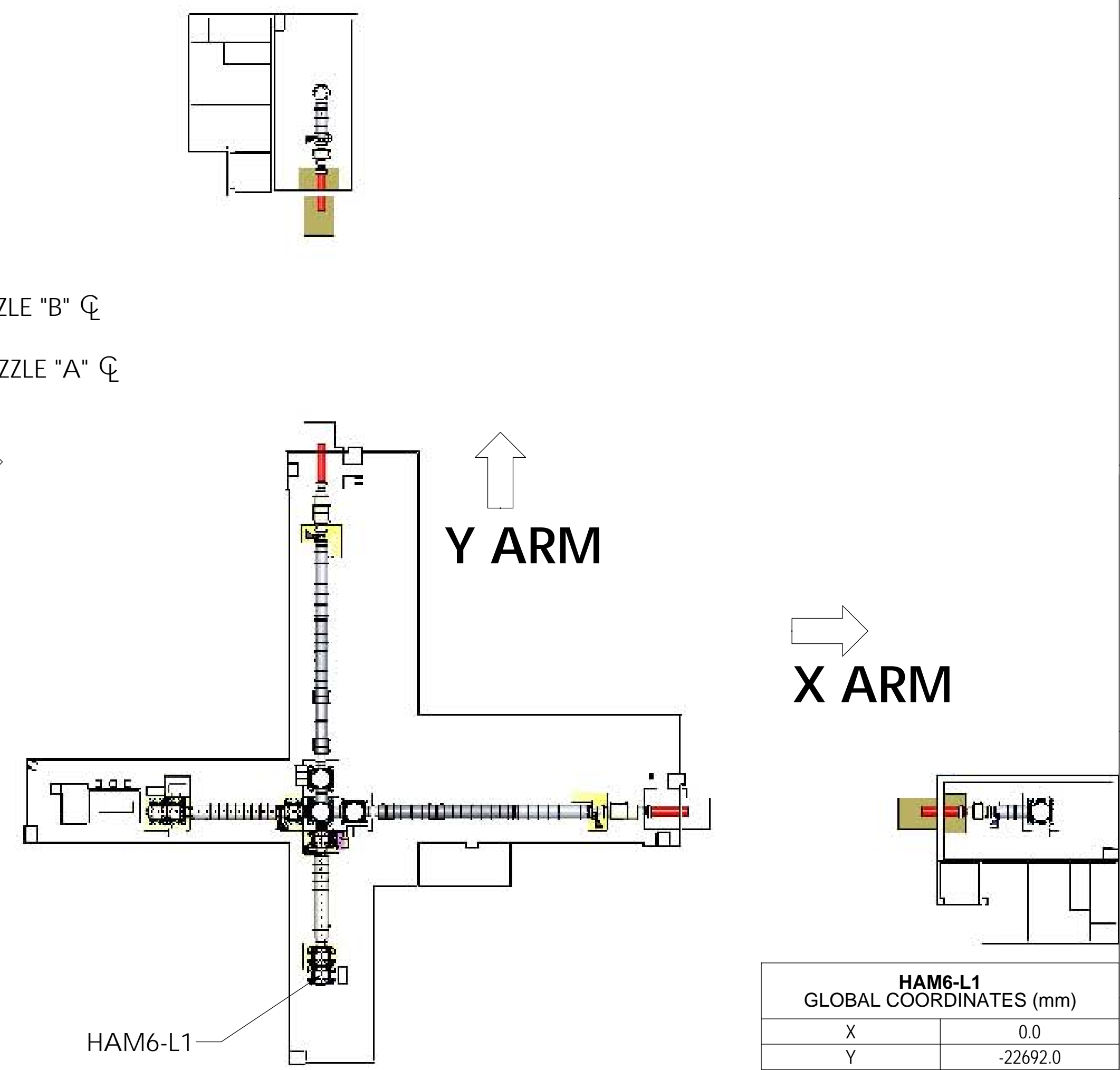
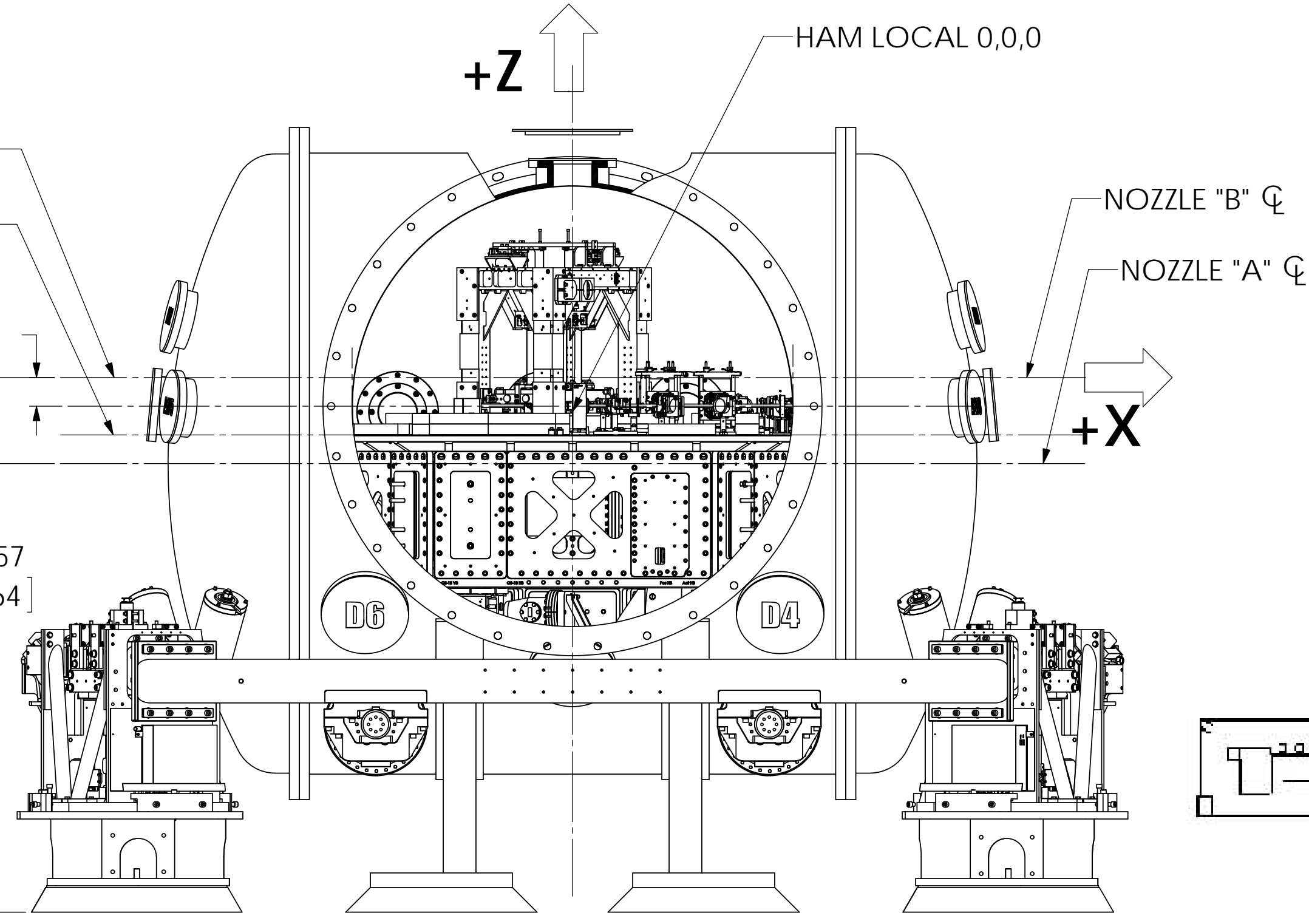
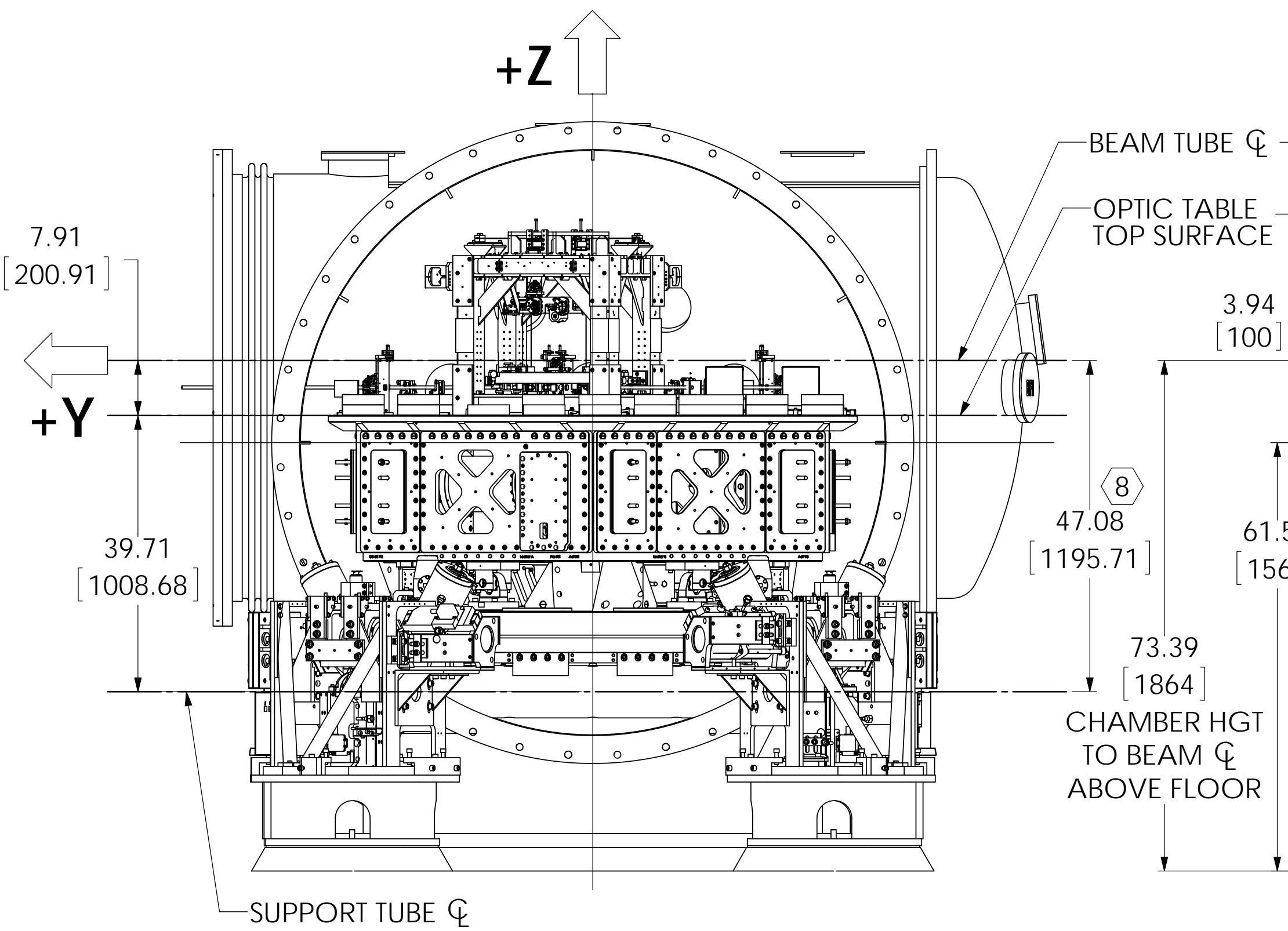
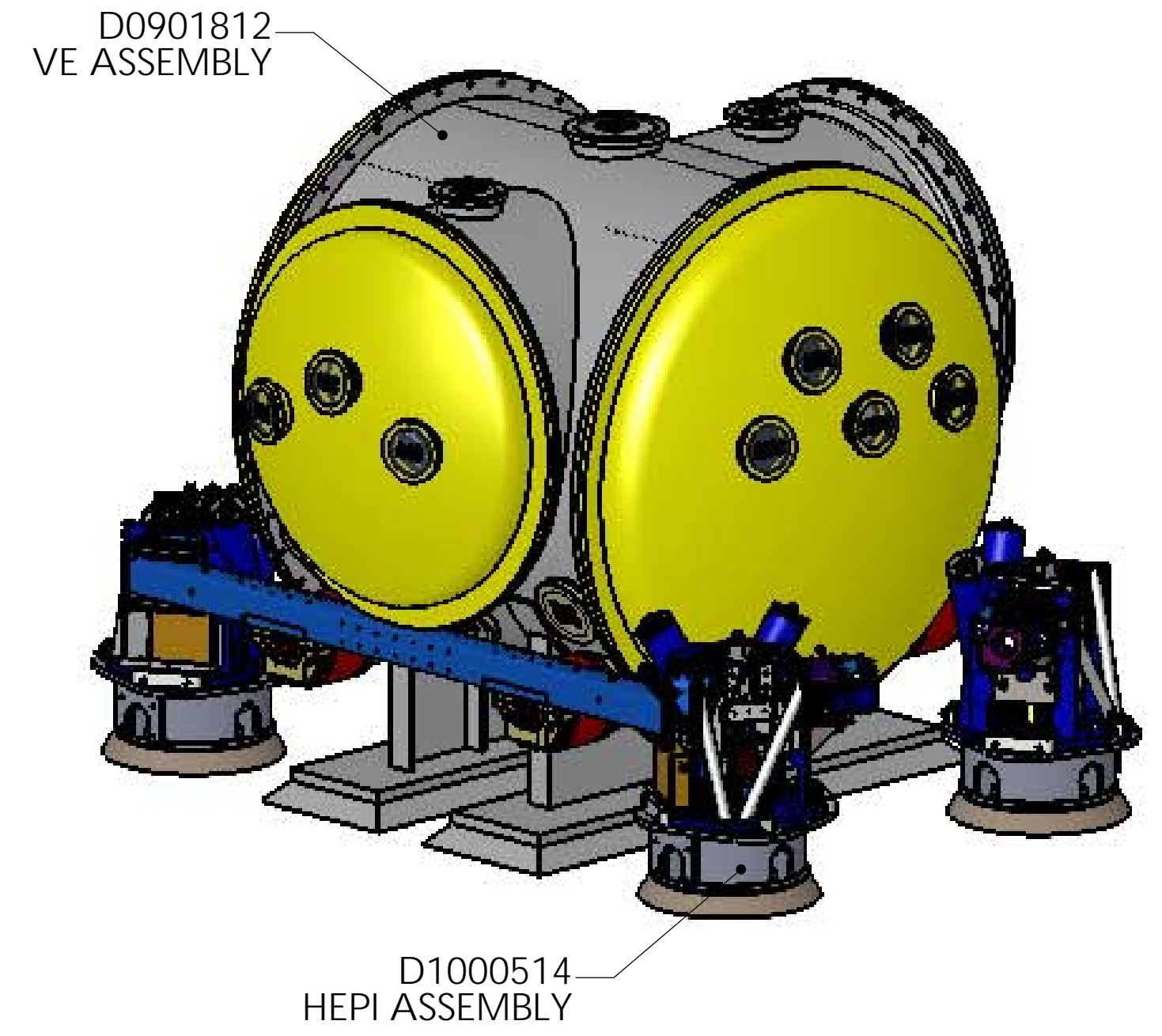
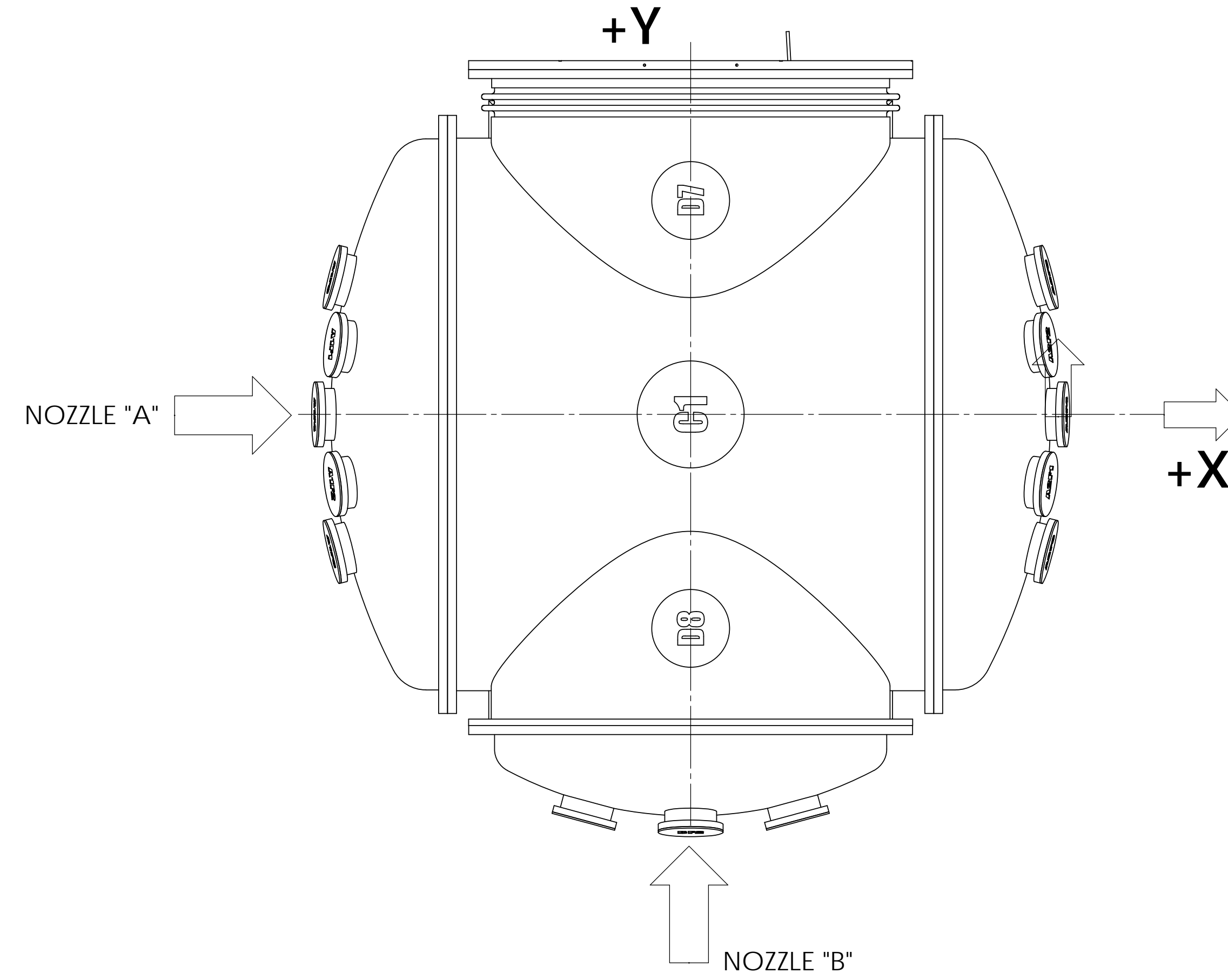
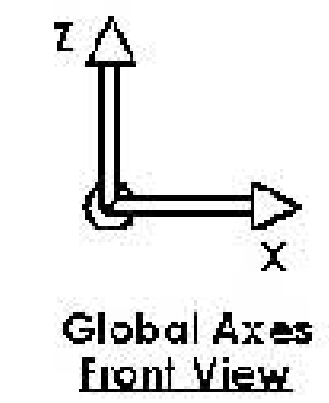


REV.	DATE	DCN #	DRAWING TREE #
v4	01 OCT 2012		
v5	18 OCT 2012		
v6	15 FEB 2013		

5. REFER TO DOCUMENT D1101296 FOR OPTICAL TABLE HOLE TABULATION CONVENTION.
6. REFER TO G1000125 FOR ISI NAMING AND ORIENTATION CONVENTION.
7. REFER TO T1100292 FOR VIEWPORT DEFINITION.
8. DIMENSION WRT TO LOCAL BUILDING CS. REFER TO E1200625 FOR LOCAL COORDINATES OF SUPPORT TUBE ENDS.



HAM6-L1 GLOBAL COORDINATES (mm)	
X	0.0
Y	-22692.0
Z	0.0



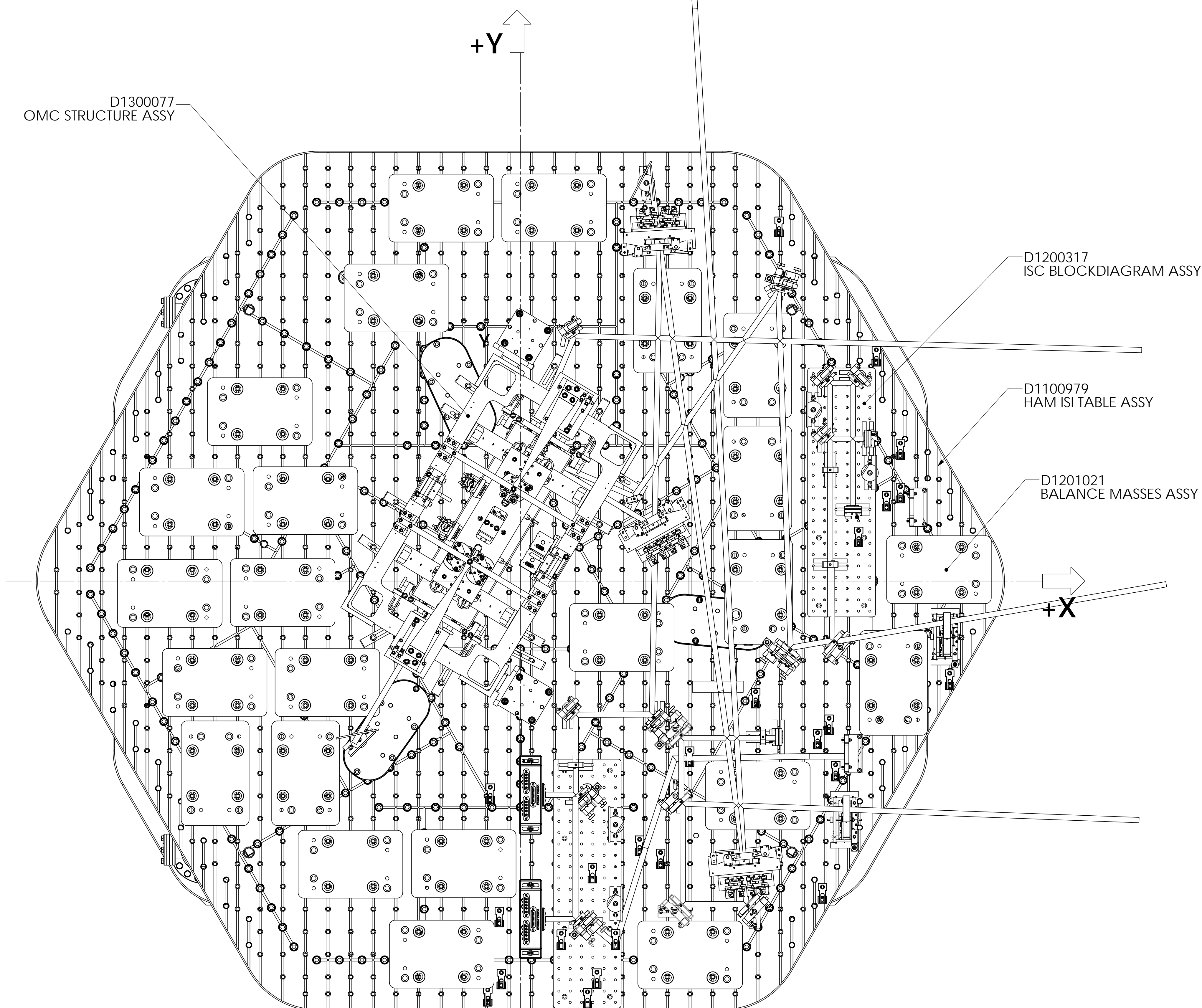
NOTES AND TOLERANCES: (UNLESS OTHERWISE SPECIFIED)	
1. INTERPRET DRAWING PER ASME Y14.5-1994.	
2. REMOVE ALL SHARP EDGES, .005-.015, FOR MACHINED PARTS. ROUND ALL EDGES APPROXIMATELY R.02 FOR SHEET METAL PARTS.	
3. DO NOT SCALE FROM DRAWING.	
4. ALL MACHINING FLUIDS MUST BE FULLY SYNTHETIC, FULLY WATER SOLUBLE AND FREE OF SULFUR, SILICONE, AND CHLORINE.	
MATERIAL	N/A
FINISH	N/A μ inch
ANGULAR \pm 0.5°	

LIGO CALIFORNIA INSTITUTE OF TECHNOLOGY MASSACHUSETTS INSTITUTE OF TECHNOLOGY		PART NAME	
SYSTEM	ADVANCED LIGO	AdvLIGO Systems, HAM6-L1 Top Level Chamber Assembly	
SUB-SYSTEM	SUS	DESIGNER	ED CHAVEZ
NEXT ASSY	N/A	CHECKER	
		APPROVAL	
SIZE	D	DWG. NO.	D0901811
REV.	v6	SCALE: 1:16	PROJECTION:
		SHEET 1 OF 3	

D0901811 AdvLIGO Systems, HAM6-L1 Top Level Chamber Assembly, ALL PART PDM REV. X-0379, DRAWING PDM REV. X-011

8 7 6 5 4 3 2 1

H
G
F
E
D
C
B
A

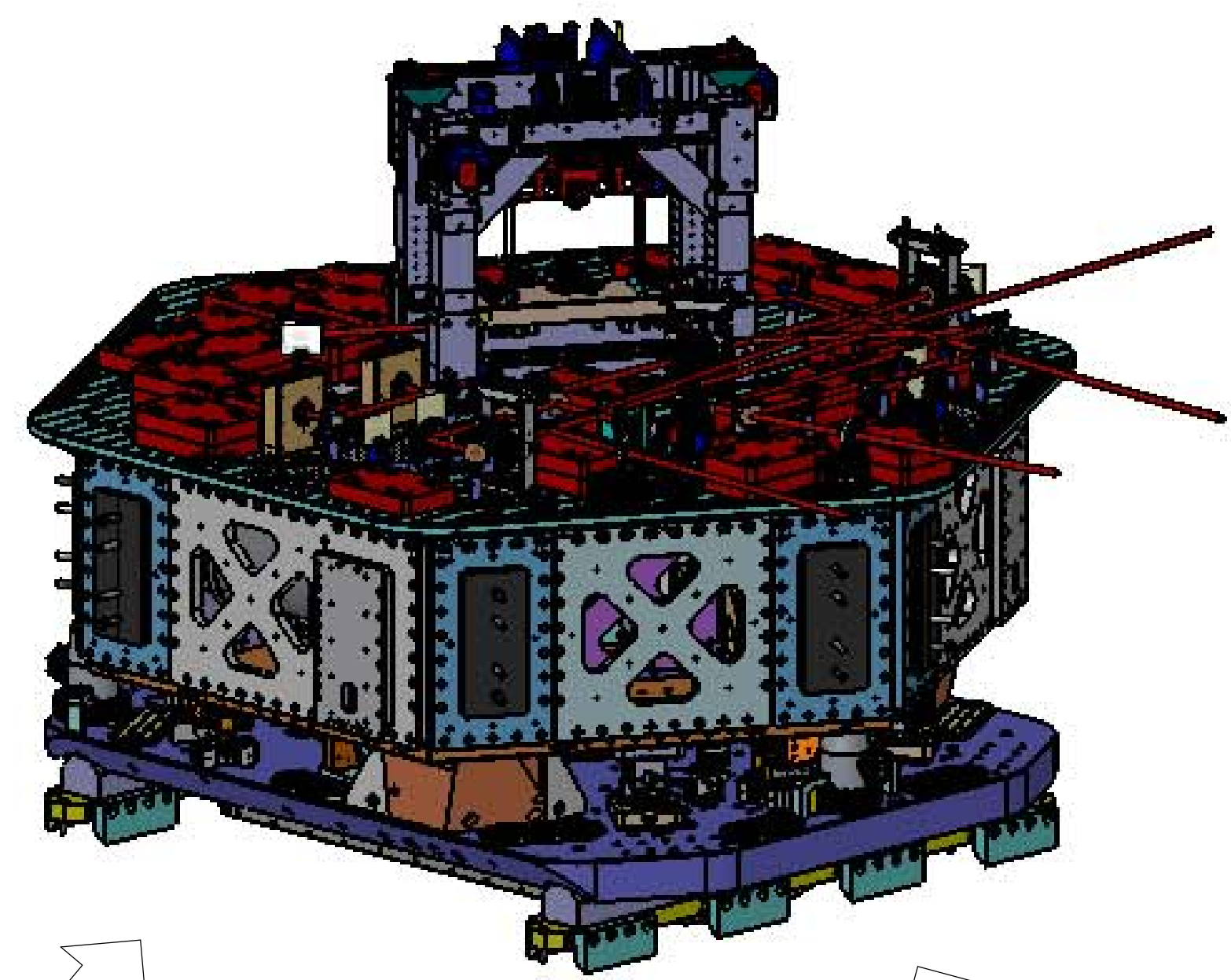


ITEM NO.	PART NUMBER	DESCRIPTION	Full Complete /QTY.
1	D0901812	AdvLIGO VE HAM6-L1, Vacuum Equipment Assembly	1
2	D1000514	HEPI ASSEMBLY, HAM, aLIGO SEI	1
3	D1100979	AdvLIGO SEI HAM6-L1, XYZ Local CS for ISO Table	1
4	D1200317	AdvLIGO SEI HAM6-L1, XYZ Local CS for ISC BlockDiagram	1
5	D1201021	AdvLIGO HAM6-L1 ISI Table, Payload & Suspended Mass Assembly	1
6	D1300077	AdvLIGO SEI HAM6-L1, XYZ Local CS for Output Mode Cleaner	1

LIGO CALIFORNIA INSTITUTE OF TECHNOLOGY
MASSACHUSETTS INSTITUTE OF TECHNOLOGY

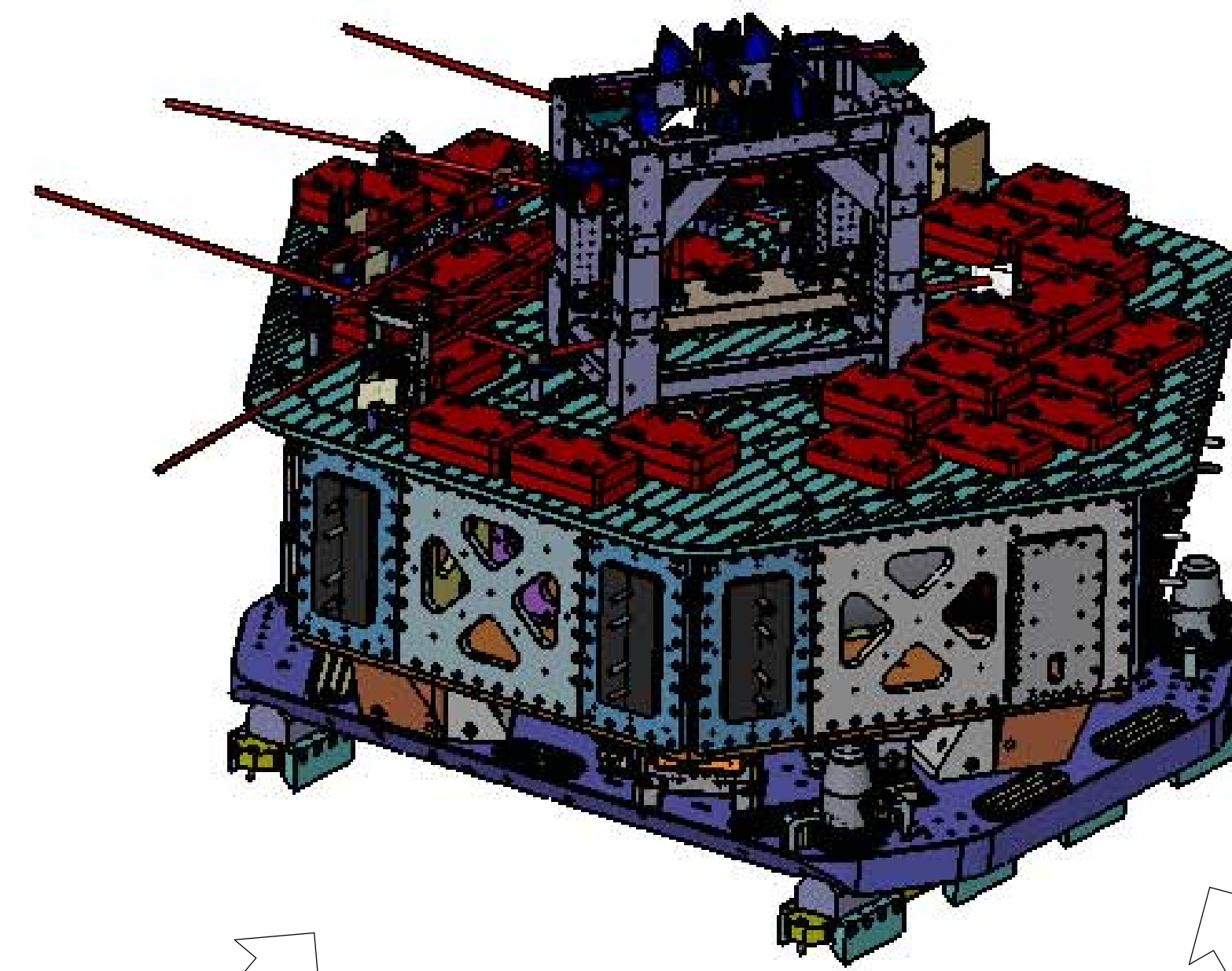
SIZE	DWG. NO.	REV.
D	D0901811	V6
SCALE: 1:5	PROJECTION:	SHEET 2 OF 3

D0901811 AdvLIGO Systems: HAM6-L1 Top Level Chamber Assembly, ALL PART PDM REV. X-039, DRAWING PDM REV. X-011



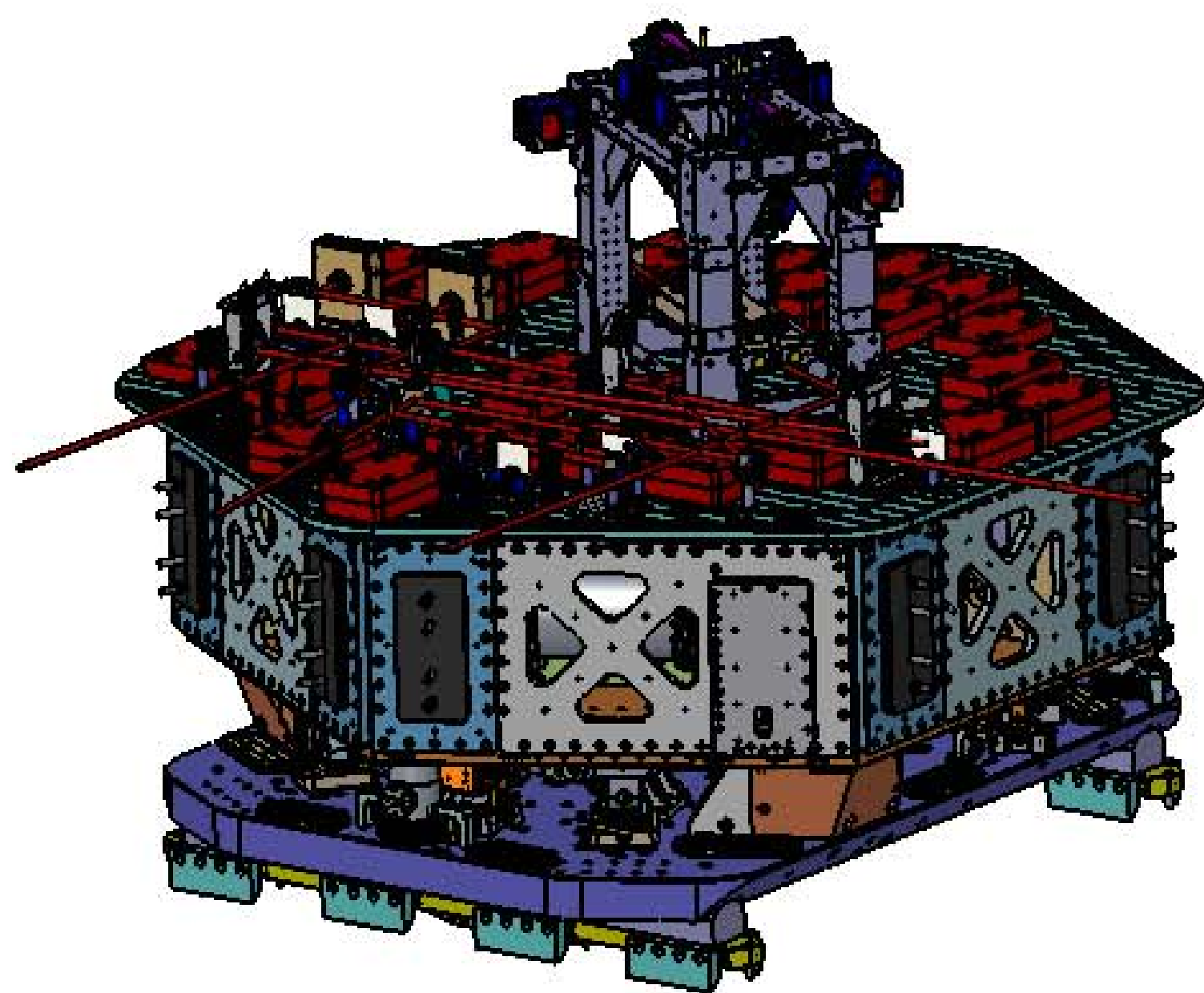
FRONT VIEW


RIGHT SIDE VIEW



LEFT SIDE VIEW

FRONT VIEW



 CALIFORNIA INSTITUTE OF TECHNOLOGY MASSACHUSETTS INSTITUTE OF TECHNOLOGY		
SIZE	DWG. NO.	REV.
D	D0901811	v6
SCALE: 1:8	PROJECTION:	SHEET 3 OF 3

D0901811 ADM/LIGO Systems: HAMM-L1 Top Level Chamber Assembly: ALL PART PDM REV. X-039: DRAWING PDM REV. X-011