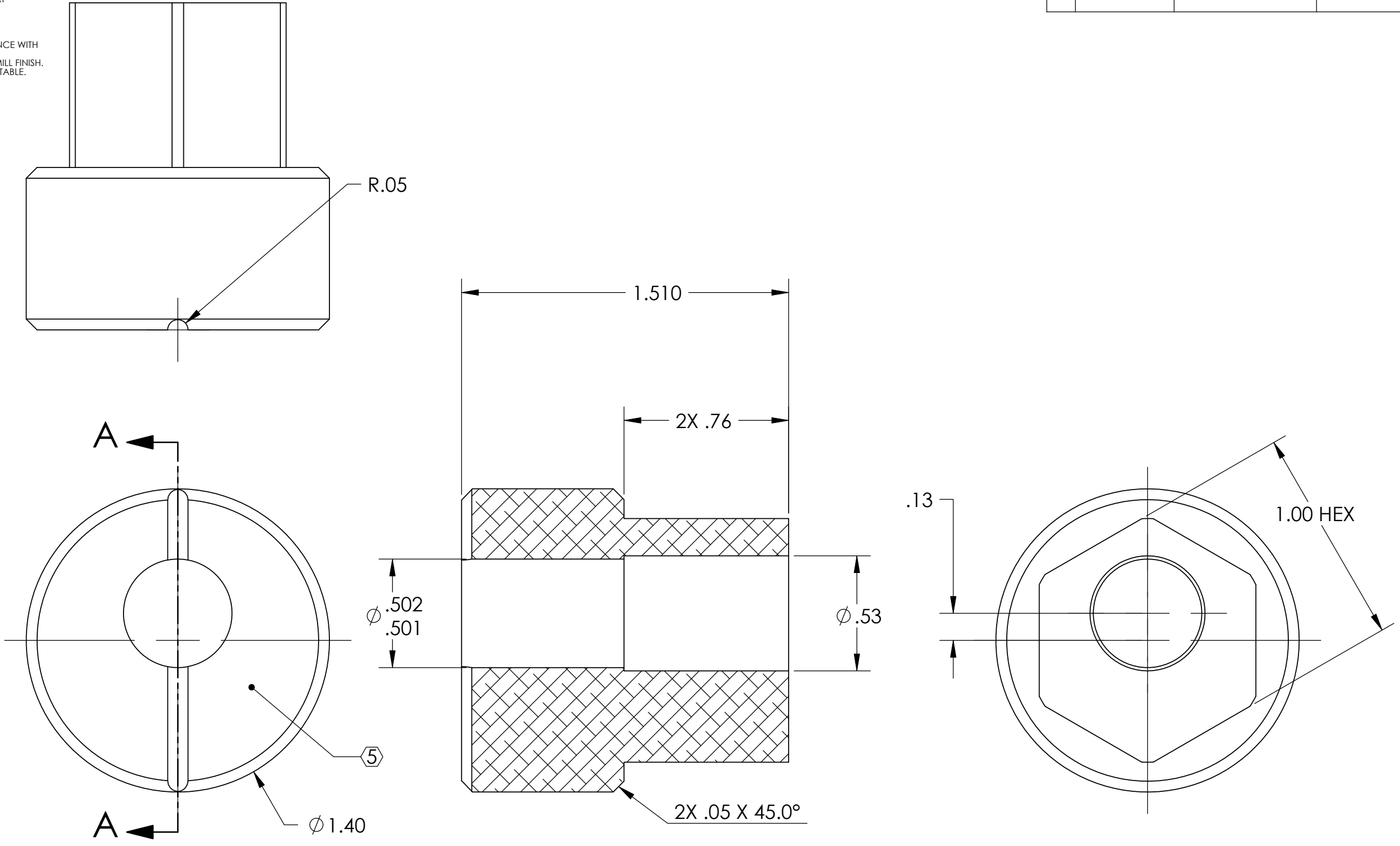


8 7 6 5 4 3 2 1

NOTES CONTINUED:
 5. SCRIBE, ENGRAVE, OR MECHANICALLY STAMP (NO INKS OR DYES) DRAWING PART NUMBER AND REVISION ON NOTED SURFACE FOLLOWED ON THE NEXT LINE BY A THREE DIGIT SERIAL NUMBER. SERIAL NUMBERS START AT 001 FOR THE FIRST ARTICLE AND PROCEED CONSECUTIVELY. USE .07" HIGH CHARACTERS. EXAMPLE: DXXXXXX-VY, S/N 001. A VIBRATORY TOOL MAY BE USED.
 6. ALL PARTS SHALL BE MANUFACTURED IN ACCORDANCE WITH LIGO SPECIFICATION E048225.
 7. MACHINE ALL SURFACES TO REMOVE OXIDES AND MILL FINISH. ABRASIVE REMOVAL TECHNIQUES ARE NOT ACCEPTABLE.

REV.	DATE	DCN #	DRAWING TREE #
V1	26 Jan. 2010	E0900443	T0900600



SECTION A-A

D0901819 Trillium pod locating eccentric, PART PDM REV: X-003, DRAWING PDM REV: X-006

NOTES AND TOLERANCES: (UNLESS OTHERWISE SPECIFIED)				LIGO CALIFORNIA INSTITUTE OF TECHNOLOGY MASSACHUSETTS INSTITUTE OF TECHNOLOGY		PART NAME	
DIMENSIONS ARE IN INCHES		1. INTERPRET DRAWING PER ASME Y14.5-1994. 2. REMOVE ALL SHARP EDGES, R.02 MIN. 3. DO NOT SCALE FROM DRAWING. 4. ALL MACHINING FLUIDS MUST BE FULLY SYNTHETIC, FULLY WATER SOLUBLE AND FREE OF SULFUR, SILICONE, AND CHLORINE.		ADVANCED LIGO		Trillium Pod Locating Eccentric	
TOLERANCES: .XX ± .015 .XXX ± .005		MATERIAL 304 SSSL		SUB-SYSTEM SEI		DESIGNER S.BARNUM 2 Dec. 2009	
ANGULAR ± .5°		FINISH 63 μinch		NEXT ASSY D0900648		DRAFTER M.HILLARD 26 Jan. 2010	
						CHECKER F.MATICHARD 26 Jan. 2010	
						APPROVAL K.MASON 26 Jan. 2010	
						SIZE DWG. NO. B D0901819	
						REV. v1	
						SCALE: 2:1 PROJECTION: SHEET 1 OF 1	

8 7 6 5 4 3 2 1