
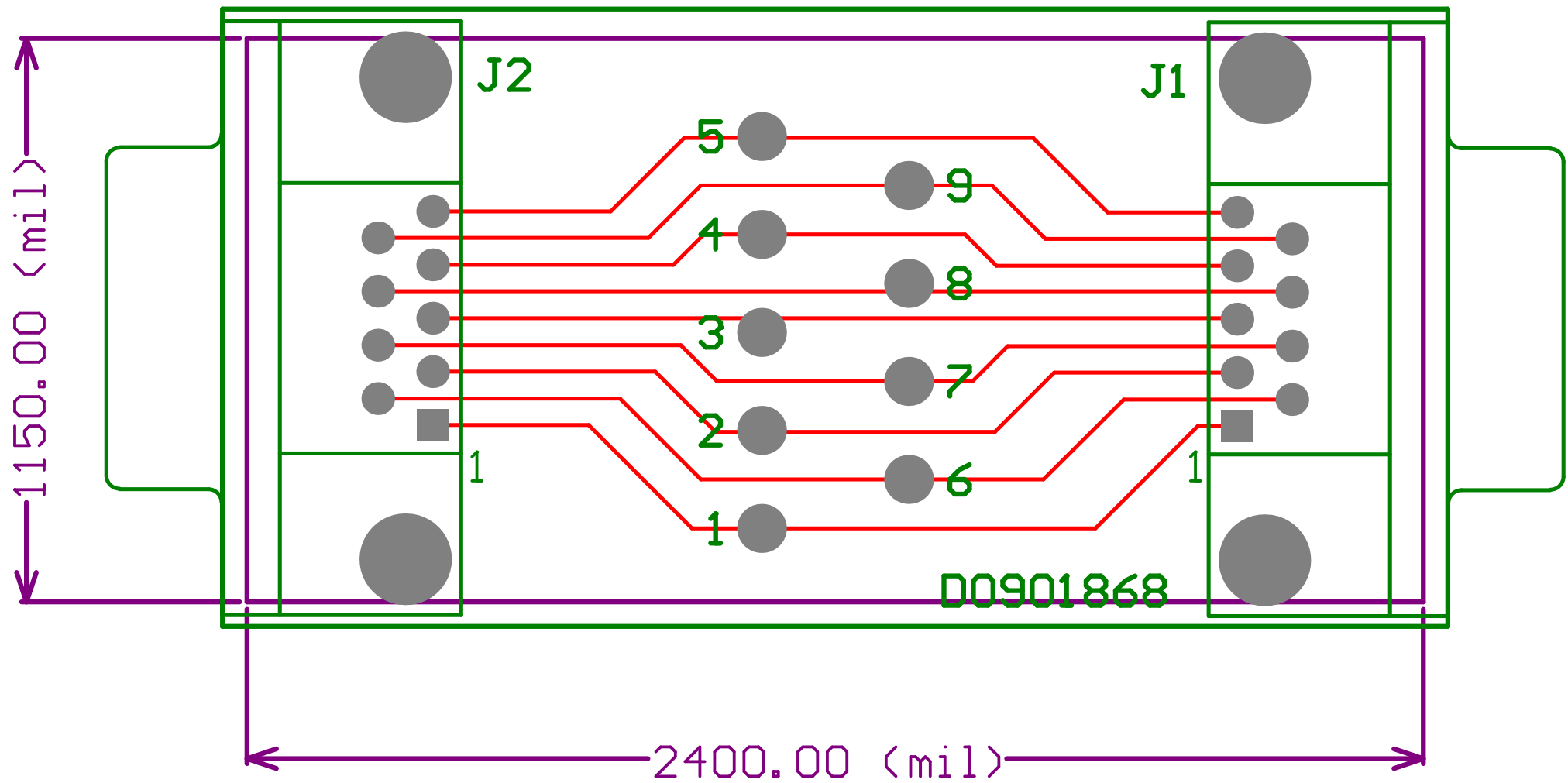


Title: DB9 Breakout Board		Revision: -		Size: A	 LIGO Laboratory California Institute of Technology Massachusetts Institute of Technology
Number: D0901868		Date: 20090929		*	
Engineer: D L Kinzel		File: C:\Altium\D0901868 (DB9).SchDoc		Sheet: 1 of 1	



Comment	Description	Designator	Footprint	LibRef	Quantity
Testpoint	Testpoint, black, Testpoint, red	1, 2, 3, 4, 5, 6, 7, 8, 9	TP1	TP_GND, TP_POSITIVE	9
A35113-ND	Plug Assembly, Size 1, 9 Position, Right Angle, .318 Series, Amplimite	J1	787203-3	787203-3	1
A35109-ND	Receptacle Ass	J2	788750-2	788750-2	1