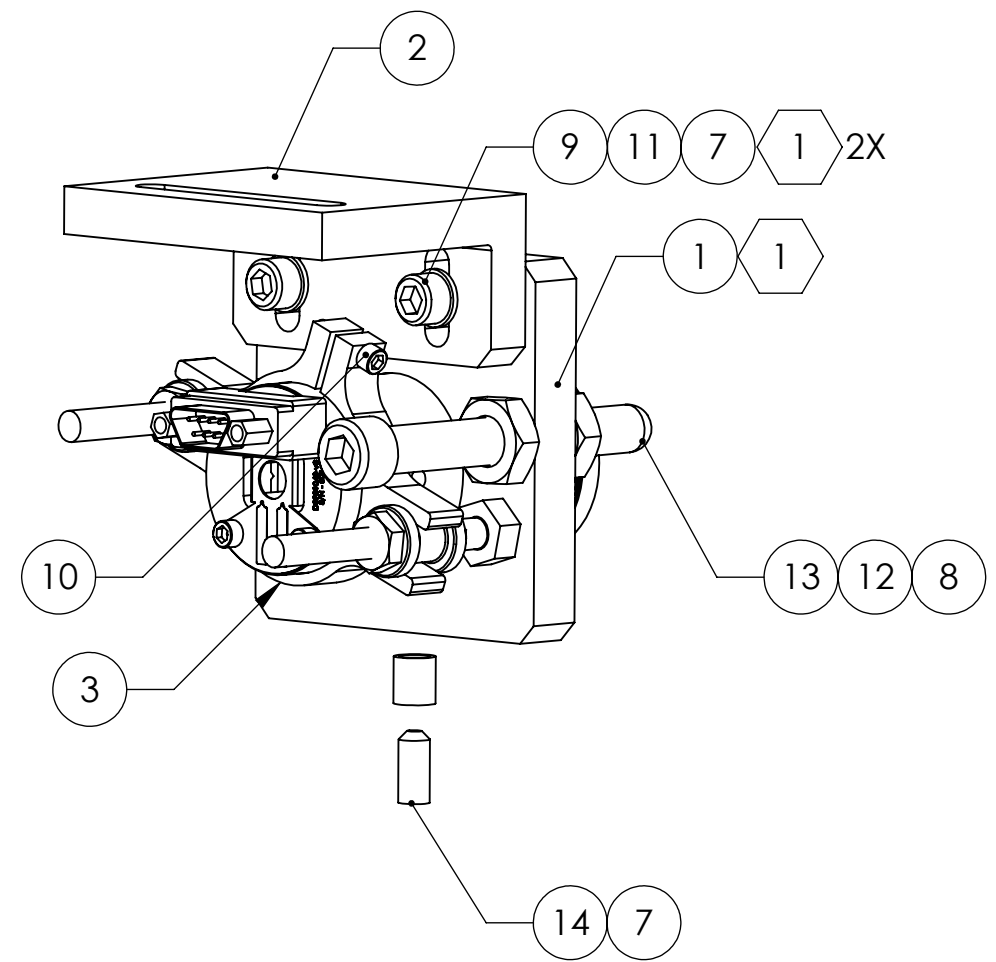


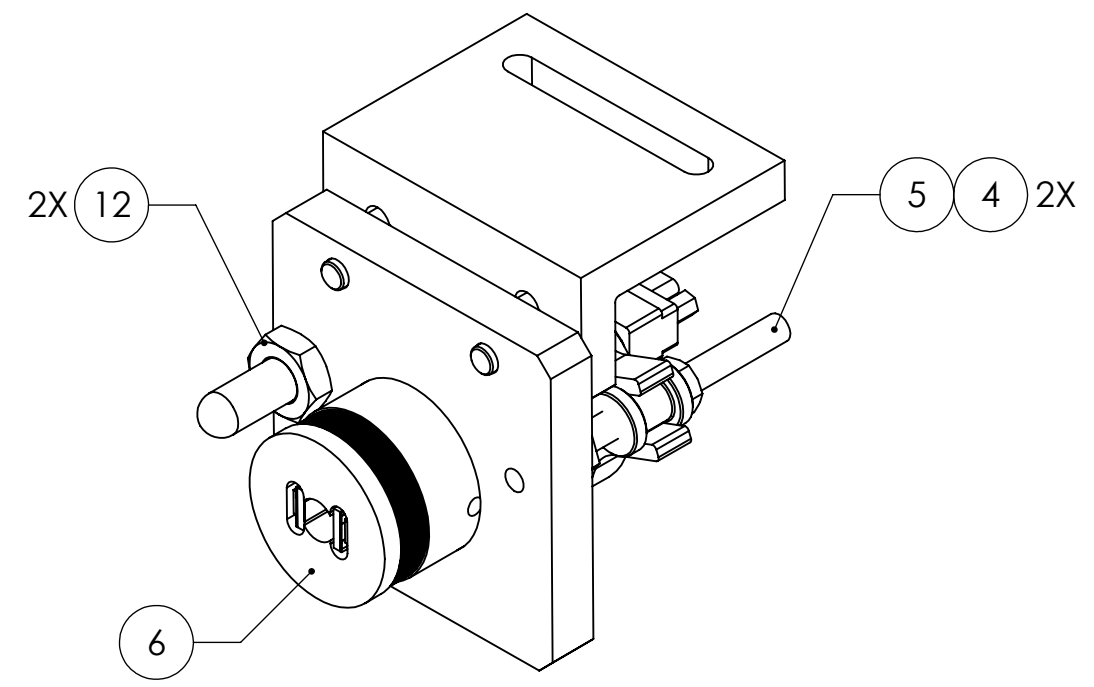
D0901924_AdvLIGO_SUS_HSTS_AOSEM Alignment Assembly, Intermediate Mass, PART PDM REV: X-066, DRAWING PDM REV: X-016

NOTES:
 ① HELICOILS TO BE INSTALLED INTO ITEM NO. 1 BY LIGO PRIOR TO ASSEMBLY AND AFTER ALL PARTS ARE CLEANED AND BAKED.
 ② RIGHT HAND CONFIGURATION IDENTICAL EXCEPT ITEM NO. 1 IS REVERSED IN ORDER TO KEEP EQ STOP AWAY FROM CHAMFERED EDGE OF MASS.

REV.	DATE	DCN #	DRAWING TREE #
v1	12 OCT 2009	-	E0900353
v2	09 JUN 2010	E0900505	E0900353
v3	20 JUN 2011	E1100590	E0900353



LEFT HAND CONFIGURATION ②



REVERSE ISOMETRIC VIEW

14	-	SCREW, SOCKET SET, #8-32 UNC-2A X 0.375 LONG	300 SSSL	1		1
13	D0900999	SCREW, SOCKET HEAD CAP, 1/4-20 UNC-3A X 2 LONG, FULLY THREADED, ROUNDED END	300 SSSL	1		1
12	-	JAM NUT, 1/4-20	300 SSSL	2	-	2
11	-	WASHER, FLAT, #8, VENTED (NAS 620-C8 OR EQUIVALENT)	300 SSSL	2	-	2
10	-	SCREW, SOCKET HEAD CAP, #2-56 UNC-2A X 0.375 LONG	300 SSSL	1	-	1
9	-	SCREW, SOCKET HEAD CAP, #8-32 UNC-2A X 0.625 LONG	300 SSSL	2	-	2
8	1185-4EN250	HELICOIL, 1/4-20 X 0.25 LONG ①	NITRONIC 60	1	1	2
7	1185-2EN246	HELICOIL, #8-32 X 0.246 LONG ①	NITRONIC 60	3	1	4
6	D0901065	AOSEM ASSEMBLY	N/A	1	-	1
5	D1000659	ADJUSTER SHAFT	304, 316 OR 302 SSSL	2	-	2
4	D1000660	ADJUSTMENT NUT	PEEK	2	1	3
3	D0901548	AOSEM ADJUSTMENT COLLAR	6061-T6 Al	1	-	1
2	D0902206	AOSEM ALIGNMENT BRACKET MOUNT, INT. MASS	6061-T6 Al	1	-	1
1	D0902414	AOSEM ALIGNMENT BRACKET, INTER. MASS ①	6061-T6 Al	1	-	1

ITEM NO.	PART NUMBER	DESCRIPTION	MATERIAL	REQ	SPARE	TOTAL
PARTS LIST						
CALIFORNIA INSTITUTE OF TECHNOLOGY MASSACHUSETTS INSTITUTE OF TECHNOLOGY		PART NAME AOSEM ALIGNMENT ASSY, INTERMEDIATE MASS				
SYSTEM ADVANCED LIGO		SUB-SYSTEM SUS		DESIGNER B. MOORE 07 AUG 2009	SIZE DWG. NO. B	REV. v3
DRAFTER B. MOORE 06 JUN 2012		CHECKER D. BRIDGES 06 JUN 2012		APPROVAL		SCALE: 1:1
NEXT ASSY D020700		PROJECTION:		SHEET 1 OF 1		