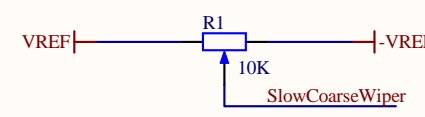
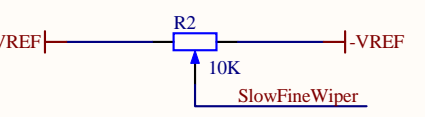


Slow Coarse Actuation



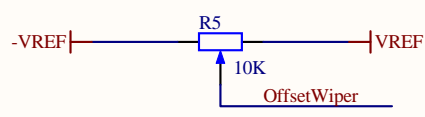
R1A Potentiometer
Mouser
652-3610S-1-103

Slow Fine Actuation



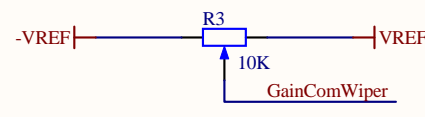
R2A Potentiometer
Mouser
652-3610S-1-103

Offset Actuation



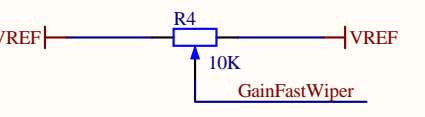
R5A Potentiometer
Mouser
652-3610S-1-103

Common Gain Control

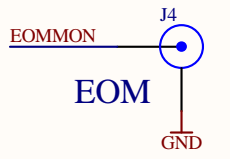
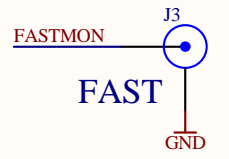
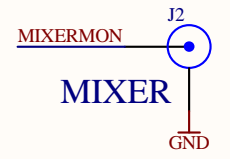
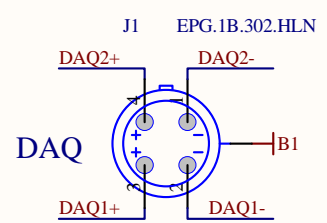
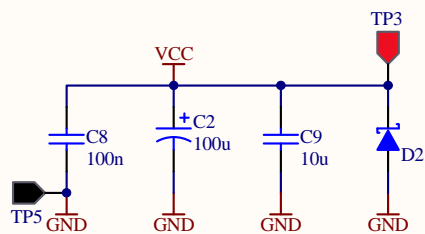
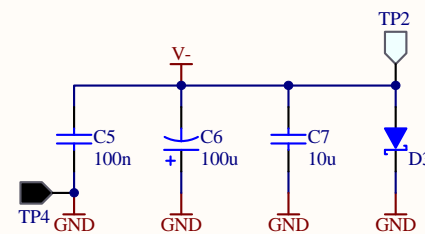
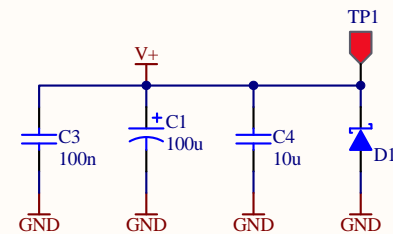
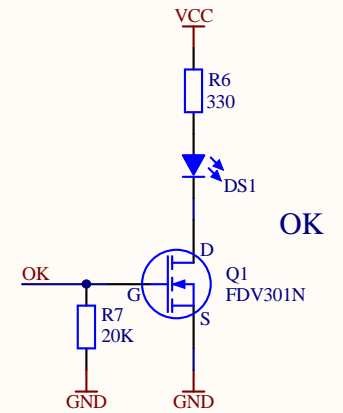


R3A Potentiometer
Mouser
652-3610S-1-103

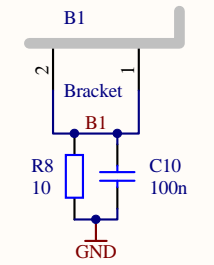
Fast Gain Control



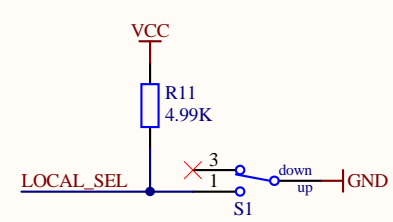
R4A Potentiometer
Mouser
652-3610S-1-103



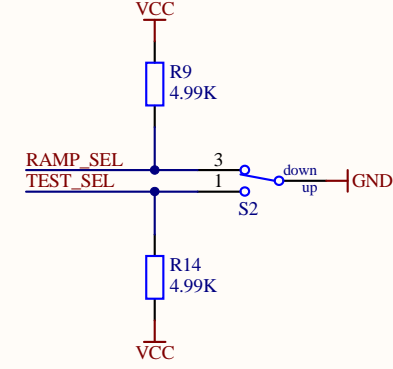
- H1 #4 screw, 3/8"
- H2 #4 screw, 3/8"
- McMaster-Carr 90272A108
- H3 #4 lock washer
- H4 #4 lock washer
- McMaster-Carr 91113A005
- H5 #4 nut
- H6 #4 nut
- McMaster-Carr 90480A005



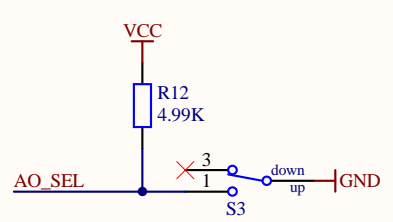
Local/Remote Selection



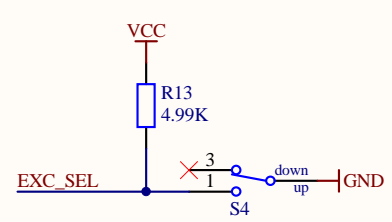
Ramp/Test Selection



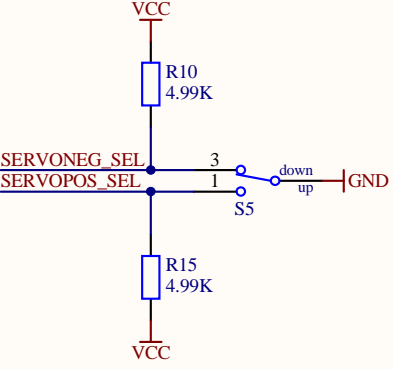
AO Selection



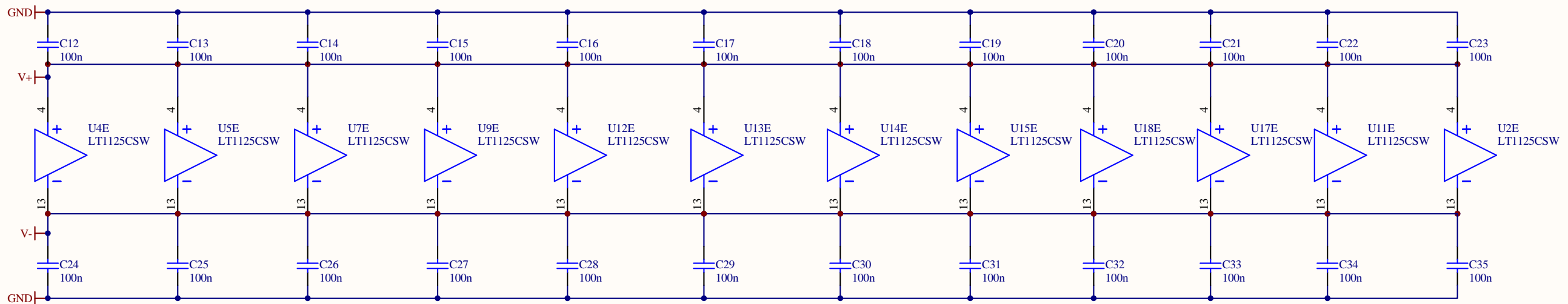
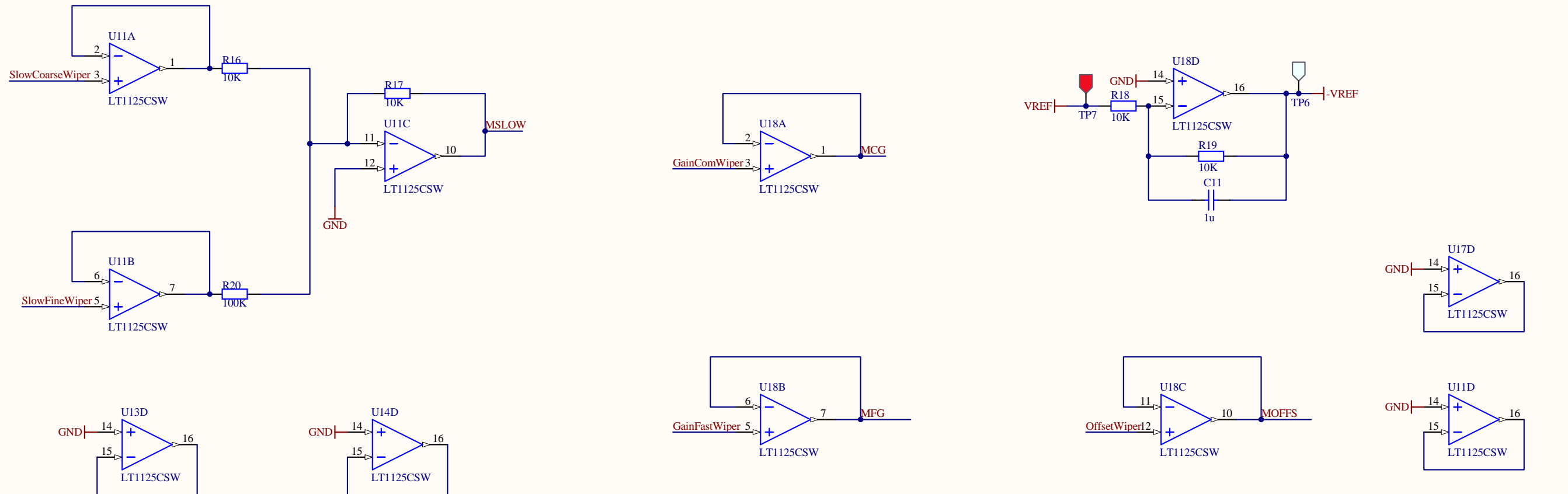
Excitation Selection



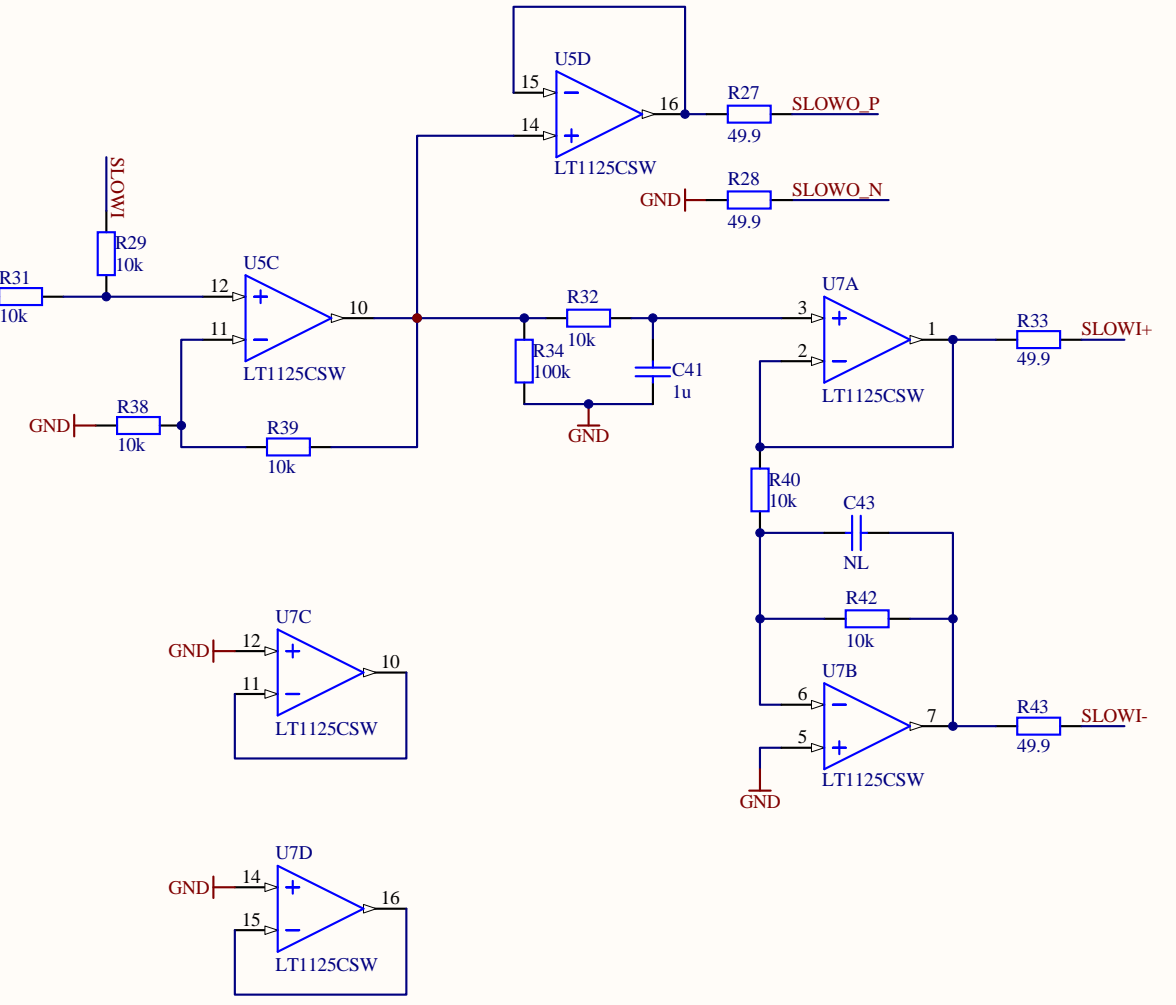
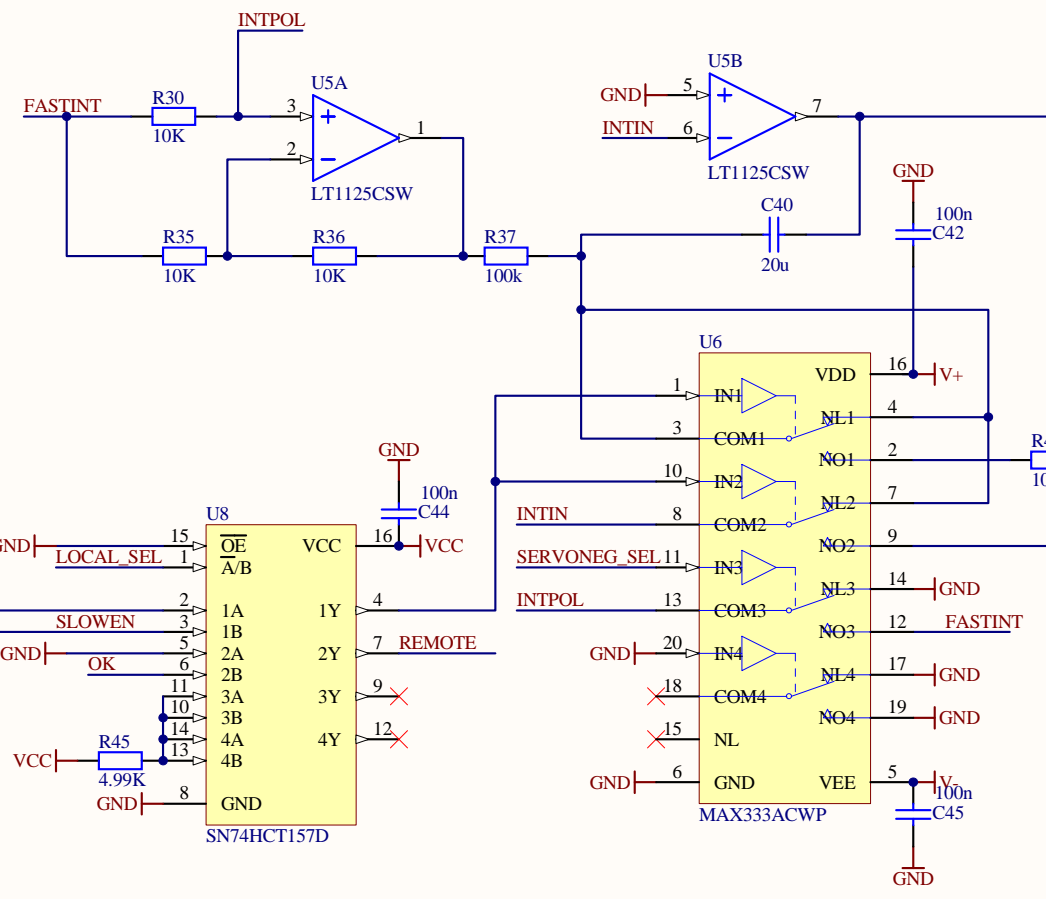
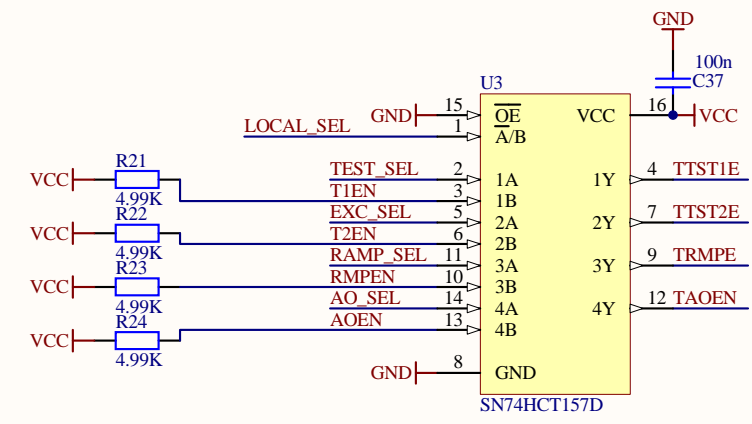
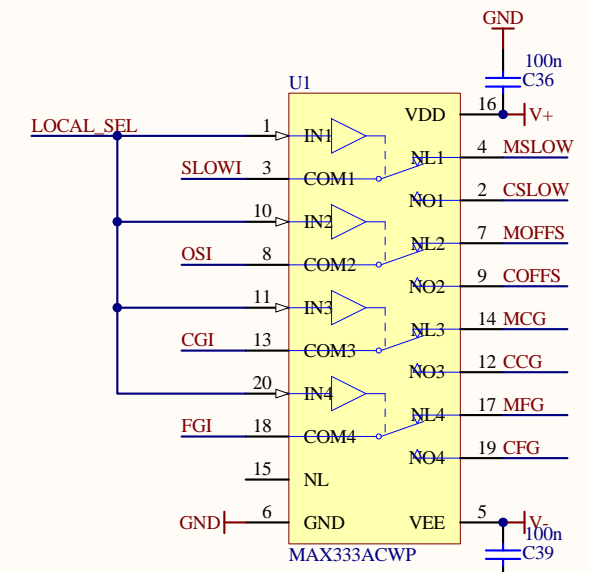
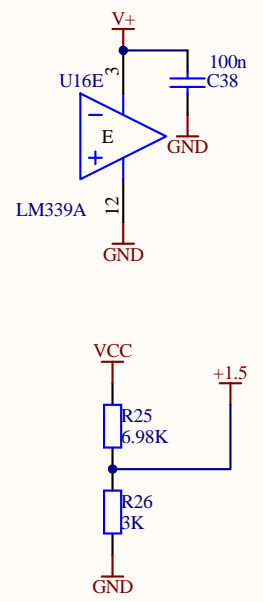
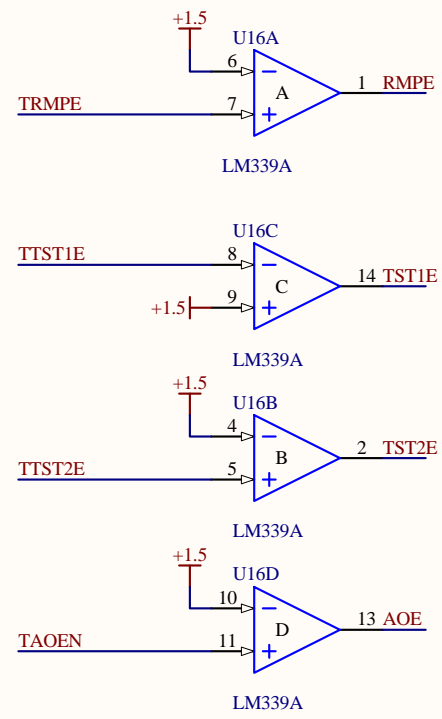
Servo/Reset Selection



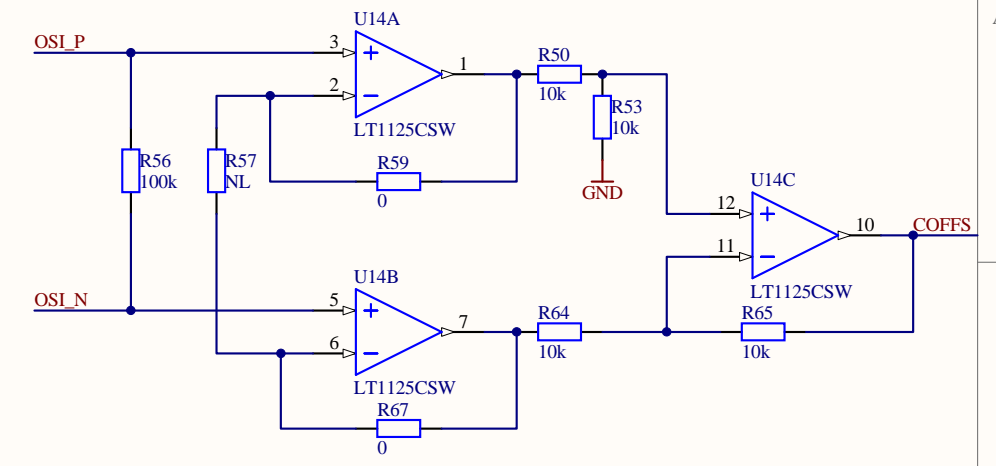
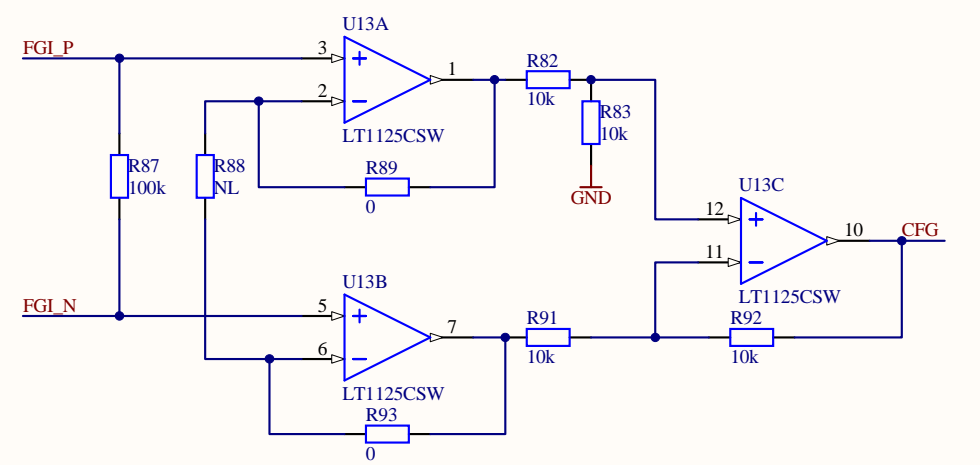
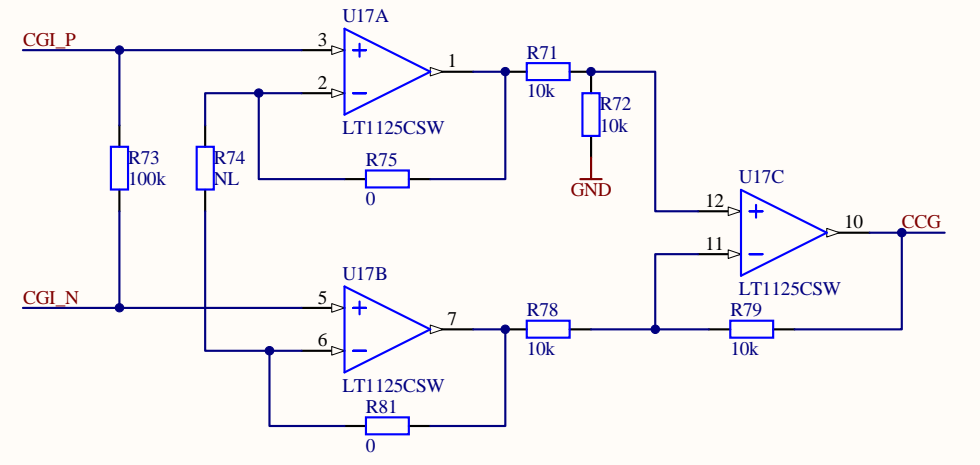
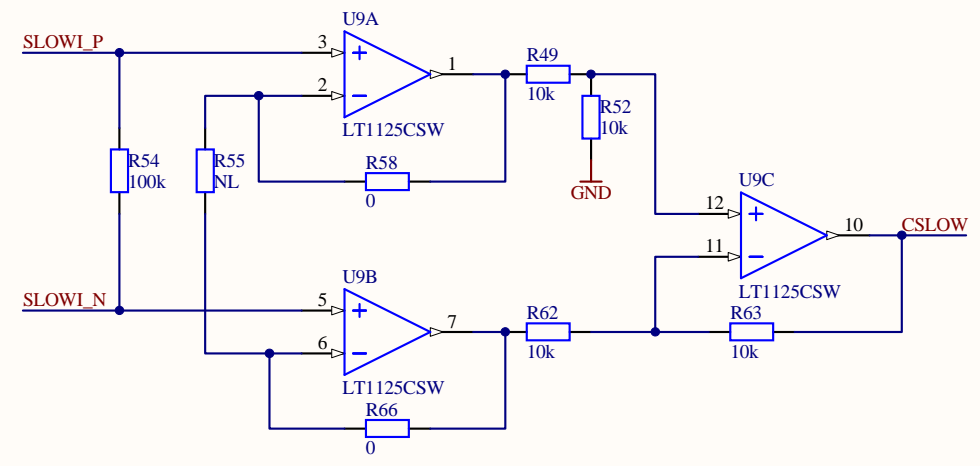
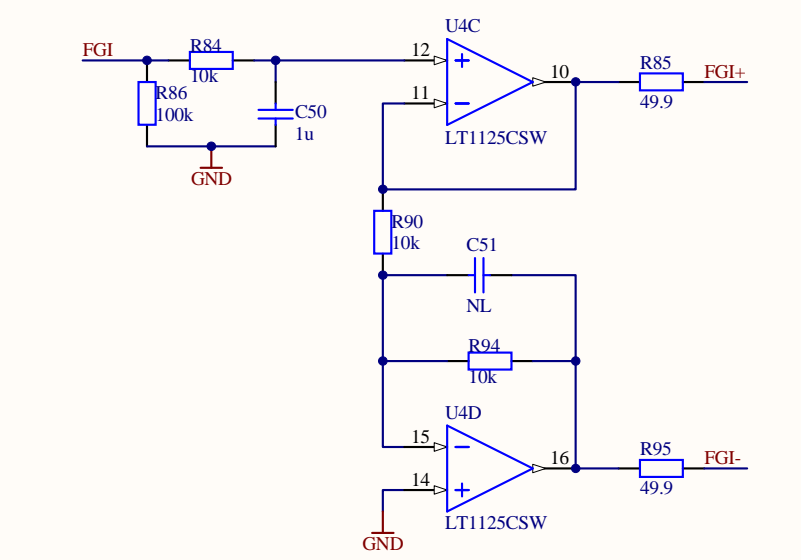
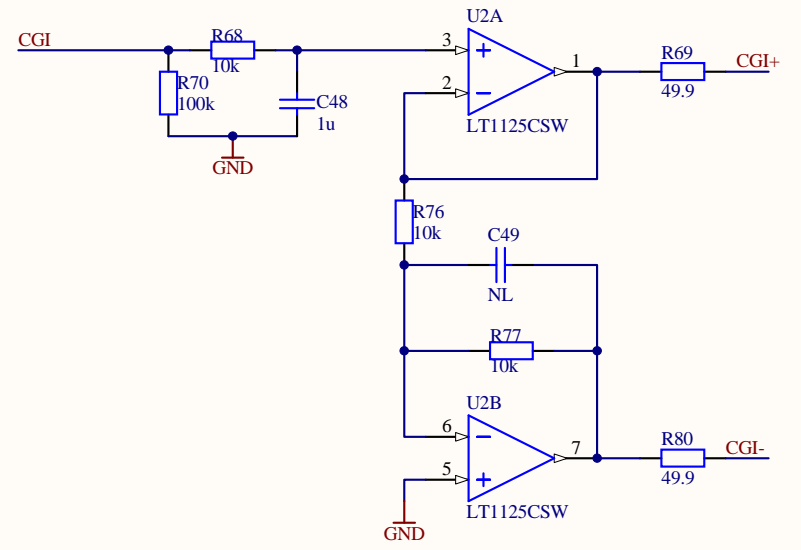
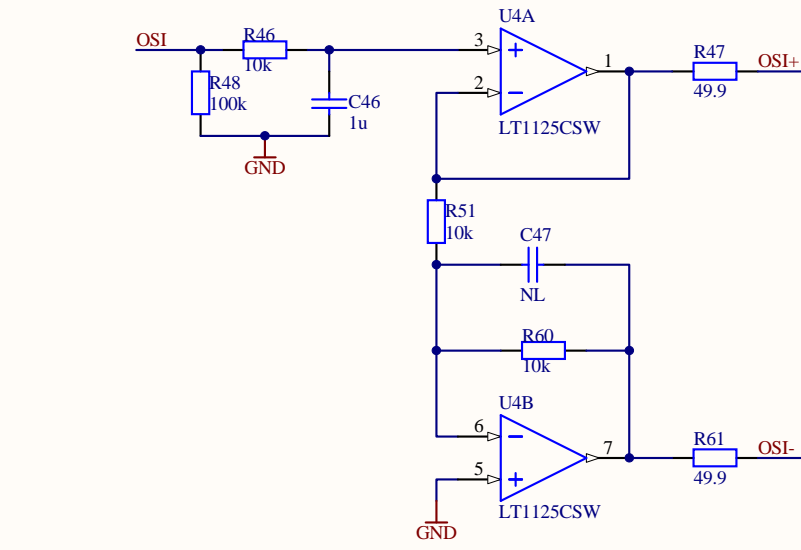
Title TTFSS Interface Board		
Size B	Number D040423	Revision B
Date: 9/29/2009	Sheet 1 of 1	
File: C:\Users\...\TTFSSII.SchDoc	Drawn By: Thomas Corbitt	



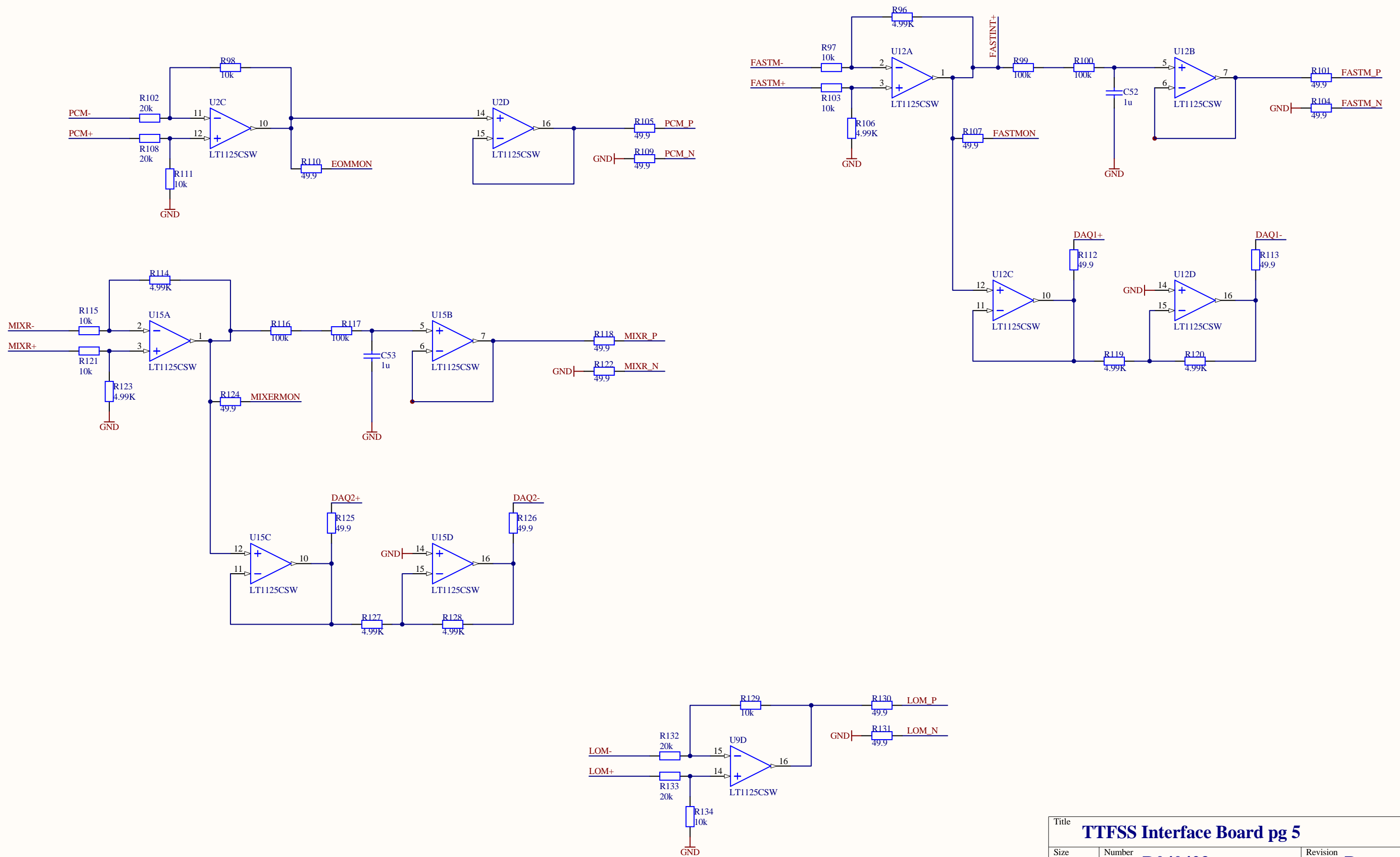
Title		
TTFSS Interface Board pg 2		
Size	Number	Revision
B	D040423	B
Date:	9/29/2009	Sheet of
File:	C:\Users\...\TTFSS12.SchDoc	Drawn By:



Title		
TTFSS Interface Board pg 3		
Size	Number	Revision
B	D040423	B
Date:	9/29/2009	Sheet of
File:	C:\Users\...\TTFSS3.SchDoc	Drawn By:



Title		
TTFSS Interface Board pg 4		
Size	Number	Revision
B	D040423	B
Date:	9/29/2009	Sheet of
File:	C:\Users\...\TTFSS14.SchDoc	Drawn By:



Title		
TTFSS Interface Board pg 5		
Size	Number	Revision
B	D040423	B
Date:	9/29/2009	Sheet of
File:	C:\Users\...\TTFSS15.SchDoc	Drawn By: