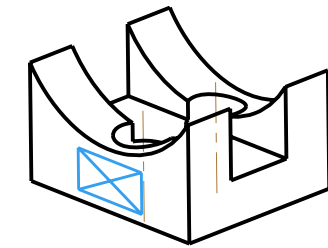
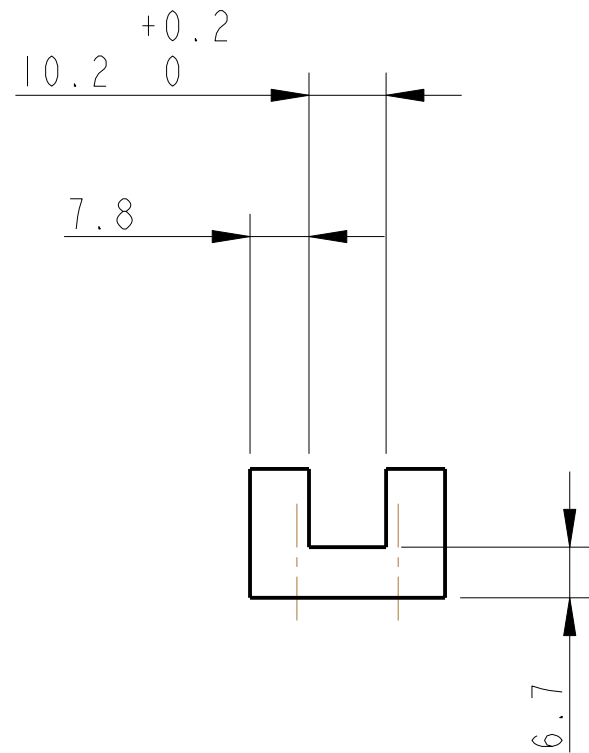
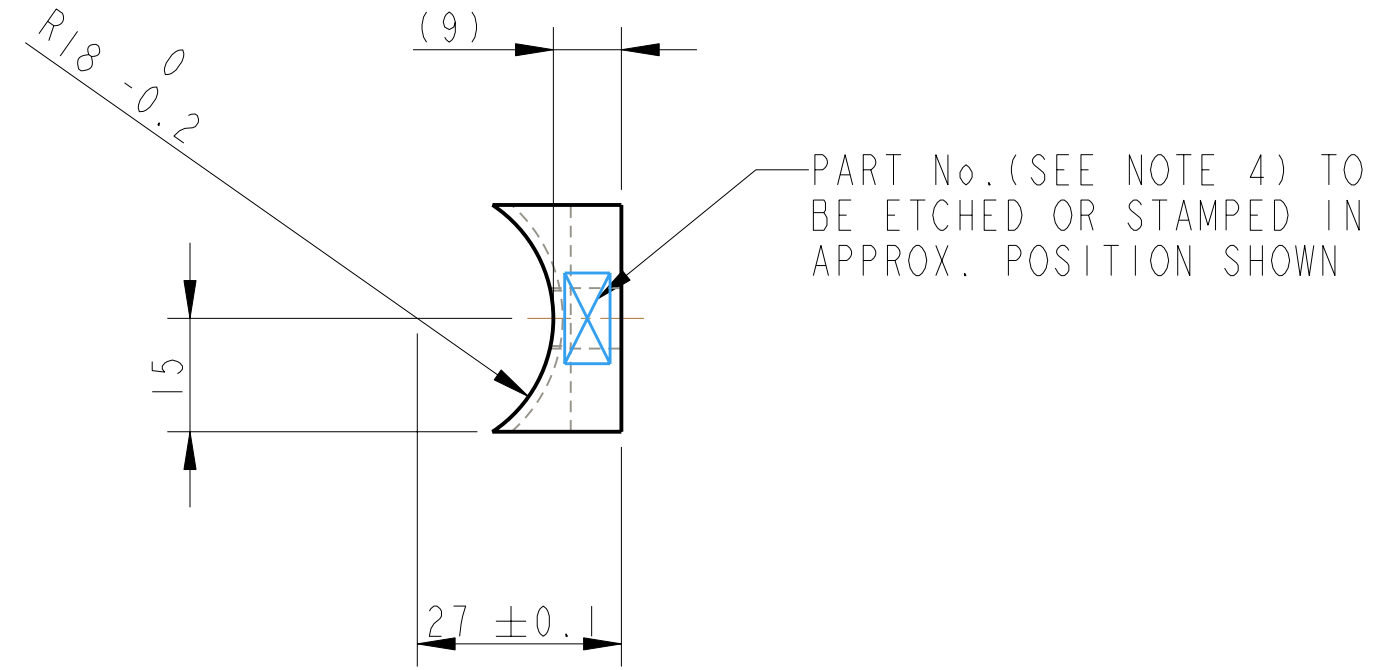
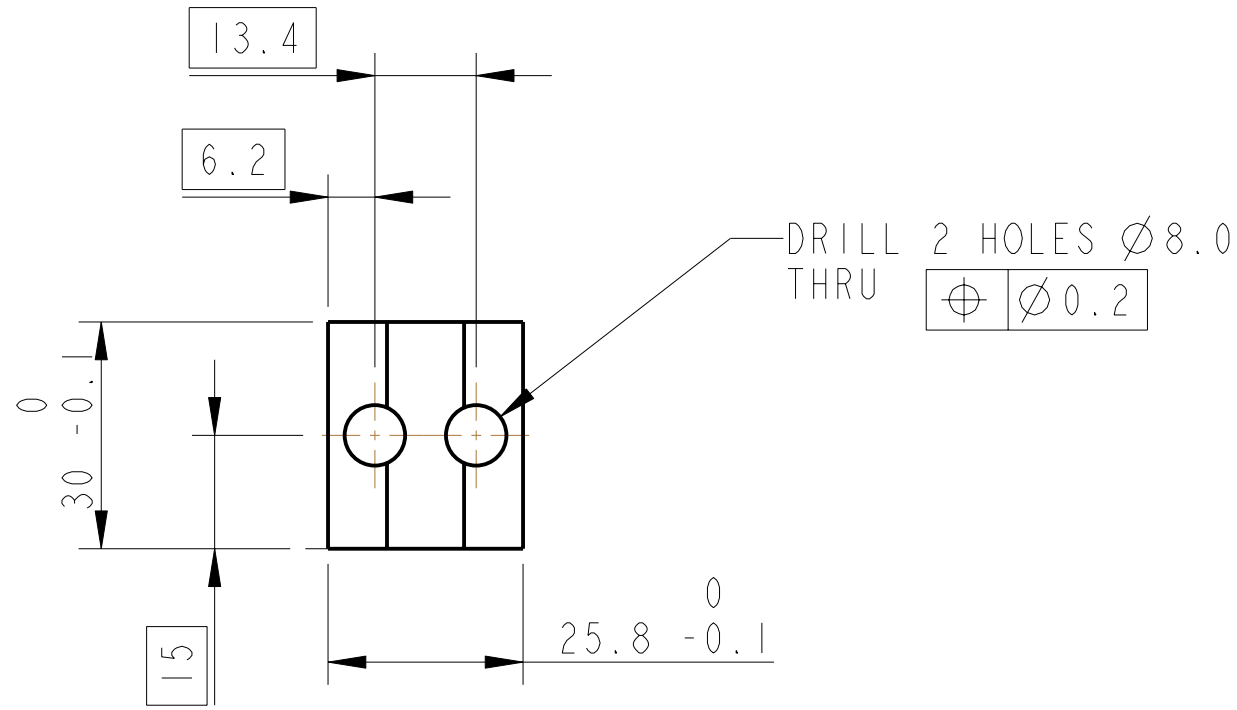


REV.	DATE	DCN #	DRAWING TREE #



3D VIEW

NOTES: (UNLESS OTHERWISE SPECIFIED)			CALIFORNIA INSTITUTE OF TECHNOLOGY MASSACHUSETTS INSTITUTE OF TECHNOLOGY 1GR, GLASGOW UNIVERSITY GEO 600 GROUP RUTHERFORD APPLETON LABORATORIES	
1. REMOVE ALL SHARP EDGES, R.02 MIN. 2. DO NOT SCALE FROM DRAWING. 3. ALL MACHINING FLUIDS SHALL BE WATER SOLUBLE AND FREE OF SULFUR, CHLORINE AND SILICONE, SUCH AS CINCINNATI MILACRON'S CIMTECH 410 (STAINLESS STEEL) 4. SCRIBE, ENGRAVE OR STAMP DRAWING PART NUMBER ON NOTED SURFACE OF PART AND A THREE DIGIT SERIAL NUMBER. SERIAL NUMBERS START AT 001 FOR THE FIRST PART AND PROCEED CONSECUTIVELY. USE .07" HIGH CHARACTERS. EXAMPLE: D020188- 001. A VIBRATORY TOOL MAY BE USED.	DIMENSIONS ARE IN MM		SYSTEM <b>ADVANCED LIGO</b>	
	TOLERANCES:		SUB-SYSTEM <b>SUS</b>	
	X.XX ± 0.2		NEXT ASSY <b>D070435</b>	
	ANGULAR ± 0.25 °		PART NAME <b>BLADE CLAMP BOTTOM JAW BS TOP MASS</b>	
MATERIAL: AL ALLOY 5083		FINISH: CLEAN, GREASE FREE Ra = 1.6		SCALE 1:1
DRAWN: J'OD 20/DEC/07		CHECKED: J'OD JAN 08		PROJECTION:
APPROVED: IW JAN 08		DATE: JAN 08		SHEET 1 OF 1