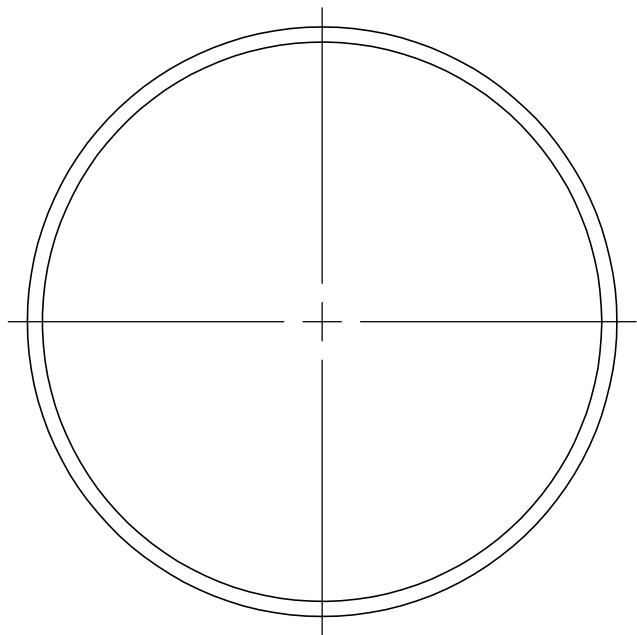


8 7 6 5 4 3 2 1

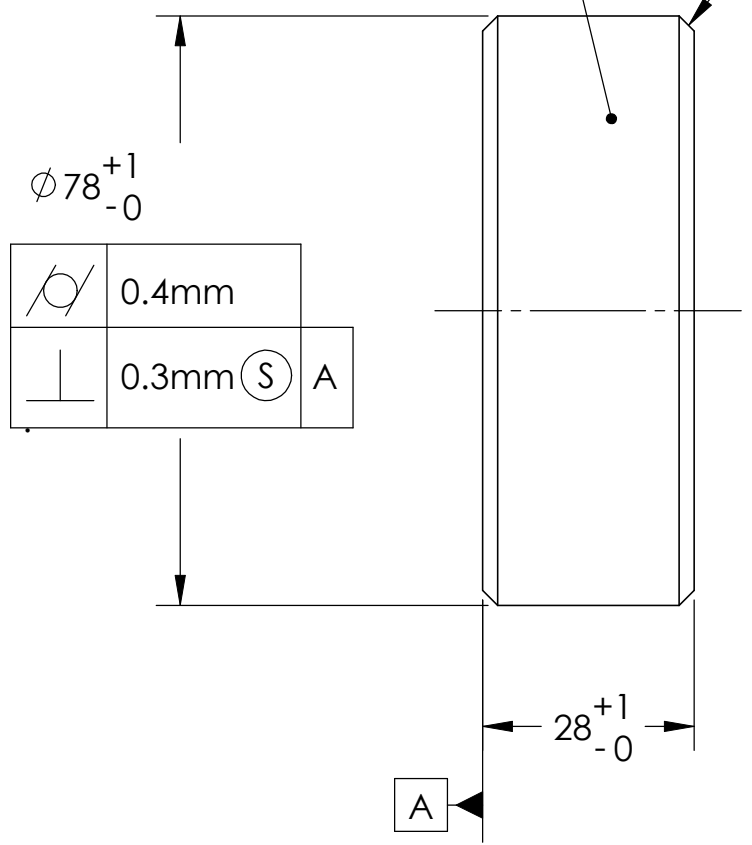
REV.	DATE	DCN #	DRAWING TREE #
		SEE DCN E080421-A-D	

D
C
B
A



WRITE SERIAL NUMBER ON
BARREL IN INDELIBLE INK

CHAMFER
45° x 2±0.5
2 PLACES



$\phi 78^{+1}_{-0}$

	0.4mm
	0.3mm (S) A

28^{+1}_{-0}

A

NOTES: (UNLESS OTHERWISE SPECIFIED)			UNIVERSITY OF FLORIDA CALIFORNIA INSTITUTE OF TECHNOLOGY MASSACHUSETTS INSTITUTE OF TECHNOLOGY	
1. DO NOT SCALE FROM DRAWING. 2. MATERIAL IS SPECIFIED IN E080133-A-D.				
			SYSTEM ADVANCED LIGO	
			SUB-SYSTEM INPUT OPTICS	
			NEXT ASSY MIRROR BLANKS	
			PART NAME ALIGO PRE-MODE MATCHING TELESCOPE MIRROR BLANK	
			DIMENSIONS ARE IN mm	
			MATERIAL	
			FINISH	
			DRAWN L.WILLIAMS AUG 7, 2008	
			SIZE B DWG. NO. D080158	
			CHECKED	
			APPROVED	
			SCALE: NTS PROJECTION: SHEET 1 OF 1	

8 7 6 5 4 3 2 1