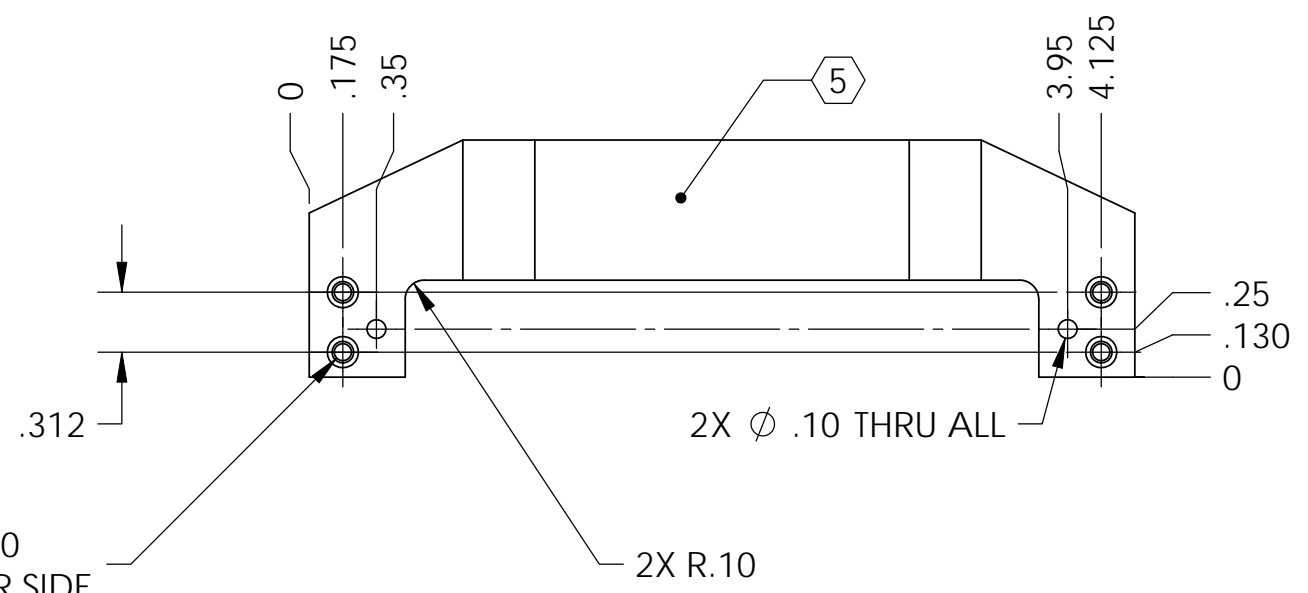
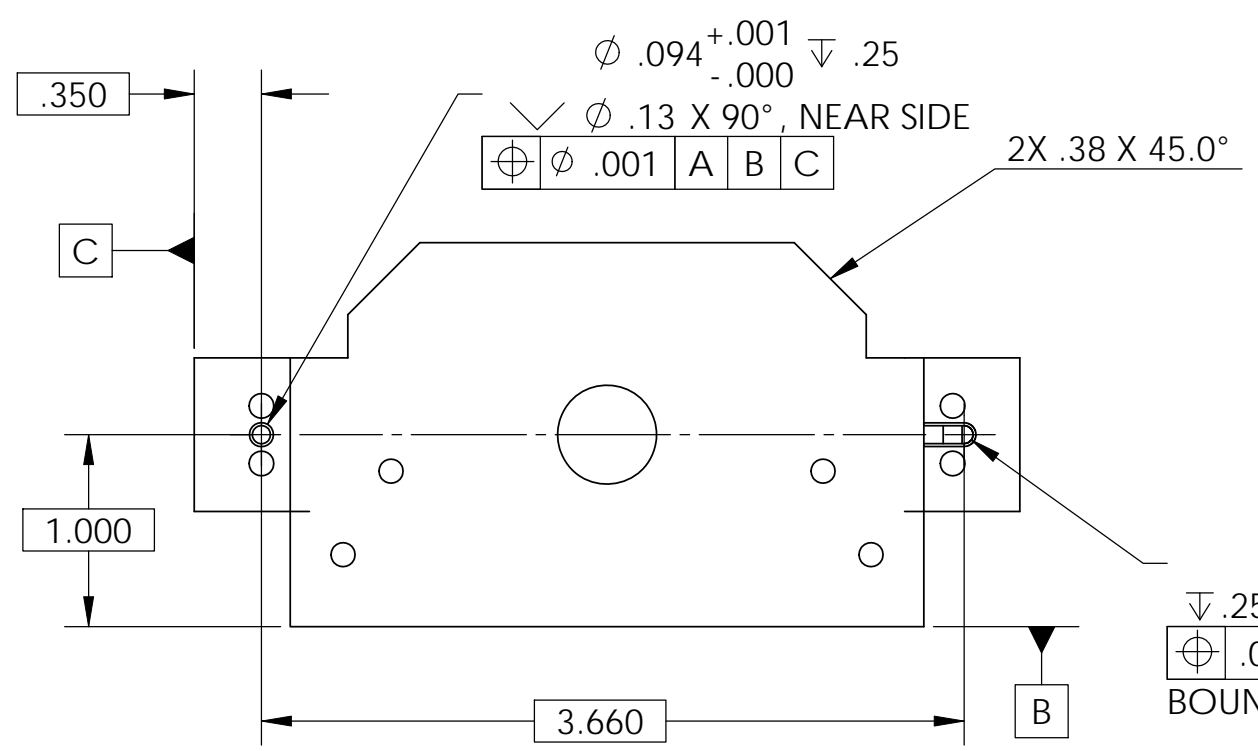






D0902155 Small Actuator Bobbin Coil Bracket, PART PDM REV: X-023, DRAWING PDM REV: X-005



4X  $\phi$  .09 THRU  
 4-40 UNC H5  $\nabla$  .50  
 $\surd$   $\phi$  .16 X 120°, NEAR SIDE  
 $\surd$   $\phi$  .16 X 120°, FAR SIDE



$\phi$  .094  $\begin{smallmatrix} +.001 \\ -.000 \end{smallmatrix}$  SLOT  
 $\nabla$  .25 BREAK EDGE .015 X 45°  
 $\oplus$   $\phi$  .001 A B C  
 BOUNDARY

 CALIFORNIA INSTITUTE OF TECHNOLOGY MASSACHUSETTS INSTITUTE OF TECHNOLOGY		
SIZE B	DWG. NO. D0902155	REV. v2
SCALE: 1:1	PROJECTION: 	SHEET 2 OF 2