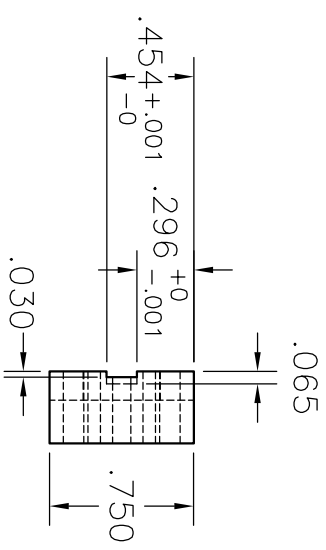
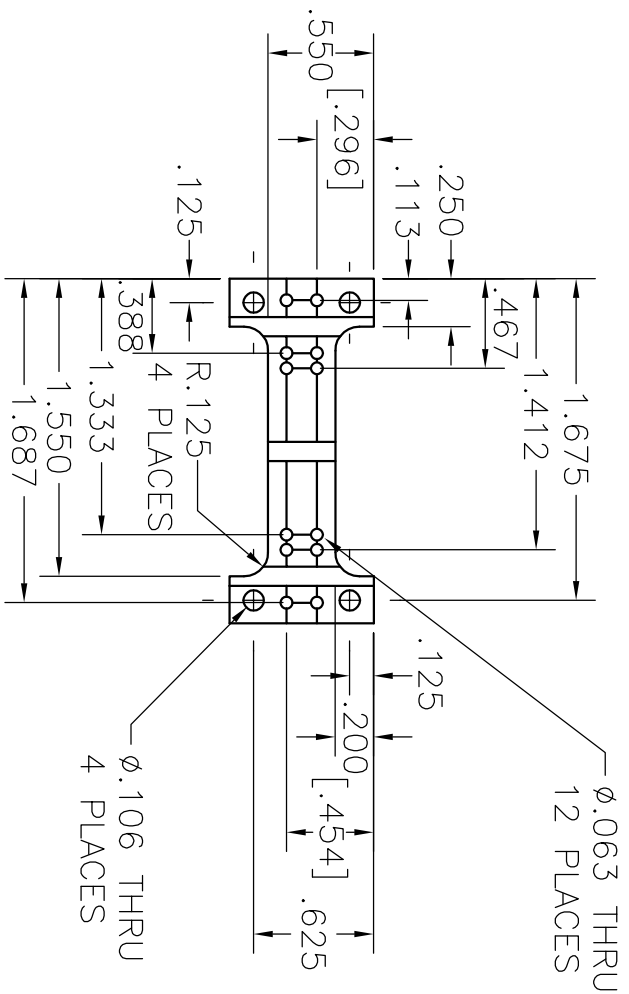
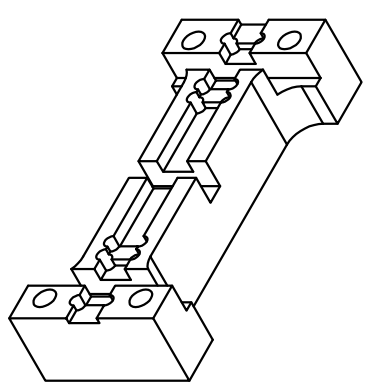
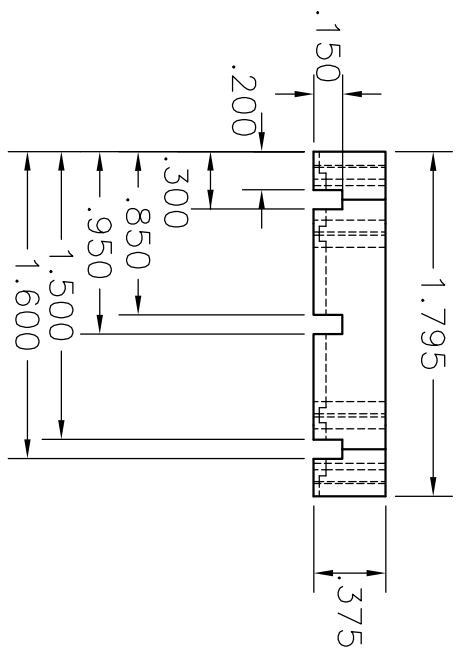


NOTE: THIS PART HOLDS THE 3 ELECTRODES AND THE CRYSTAL. THE $\phi.063$ HOLES ARE TO CLEAR OUT THE CORNERS FOR THE ELECTRODES, AND ARE CENTERED AT THE THEORETICAL CORNERS.



UF LIGO		ALIGO IO EOM		SCALE: NTS (INCHES)		DATE: SEPTEMBER 14, 2009	
WILLIAMS, LUKE		CRYSTAL MOUNT		D0902174-v1		MATERIAL: BORON NITRIDE	