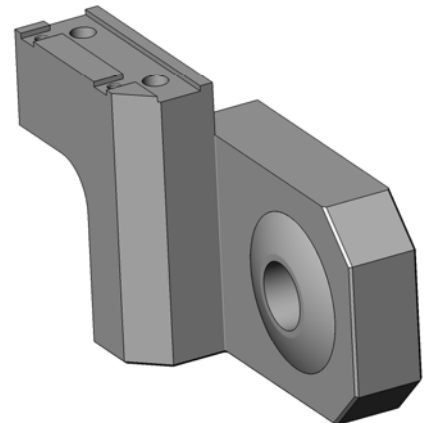
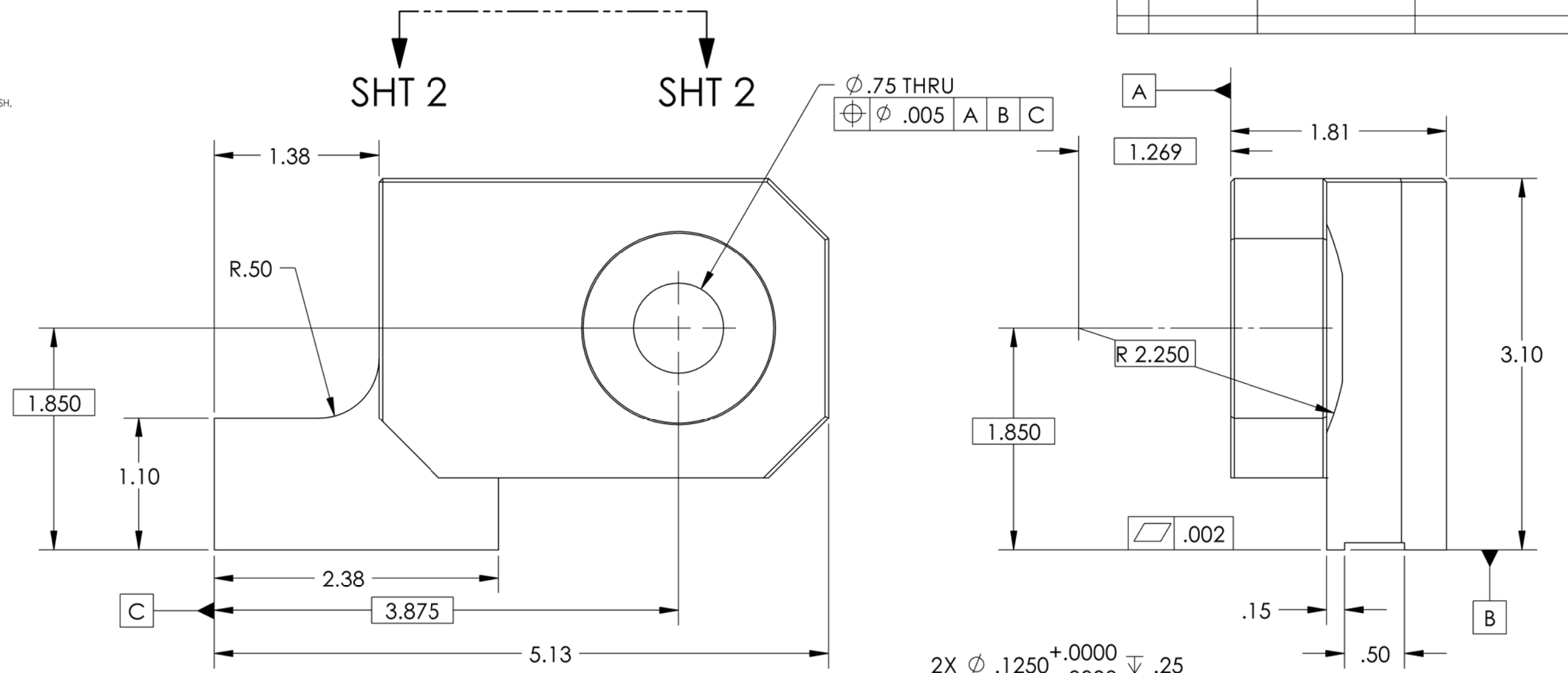


D0902250 STAGE 1-2, HORIZONTAL DISPLACEMENT SENSOR MOUNT, PART PDM REV: X-014, DRAWING PDM REV: X-002

- NOTES CONTINUED:**
5. SCRIBE, ENGRAVE, OR MECHANICALLY STAMP (NO INKS OR DYES) DRAWING PART NUMBER, REVISION (AND VARIANT OR "TYPE" IF APPLICABLE) ON NOTED SURFACE OF PART FOLLOWED ON THE NEXT LINE WITH A THREE DIGIT SERIAL NUMBER. SERIAL NUMBERS START AT 001 FOR THE FIRST ARTICLE AND PROCEED CONSECUTIVELY. USE MINIMUM 0.12 HIGH CHARACTERS, UNLESS THE SIZE OF THE PART DICTATES SMALLER CHARACTERS. A VIBRATORY TOOL MAY BE USED.  
EXAMPLE DXXXXXX-VY, TYPE-XX, S/N XXX.  
APPROXIMATE WEIGHT = 1.045 LB.
  6. MACHINE ALL SURFACES TO REMOVE OXIDES AND MILL FINISH. USE OF ABRASIVE REMOVAL TECHNIQUES IS NOT ALLOWED.
  7. ALL PARTS SHALL BE MANUFACTURED IN ACCORDANCE WITH LIGO SPECIFICATION E0900364.
  8. A TRUE POSITION TOLERANCE OF  $\phi .010$  IS - THE SAME AS A CONVENTIONAL TOLERANCE OF  $\pm .005$ .

REV.	DATE	DCN #	DRAWING TREE #
v1	01 Mar. 2010	E1000049	E1000025



**NOTES AND TOLERANCES: (UNLESS OTHERWISE SPECIFIED)**

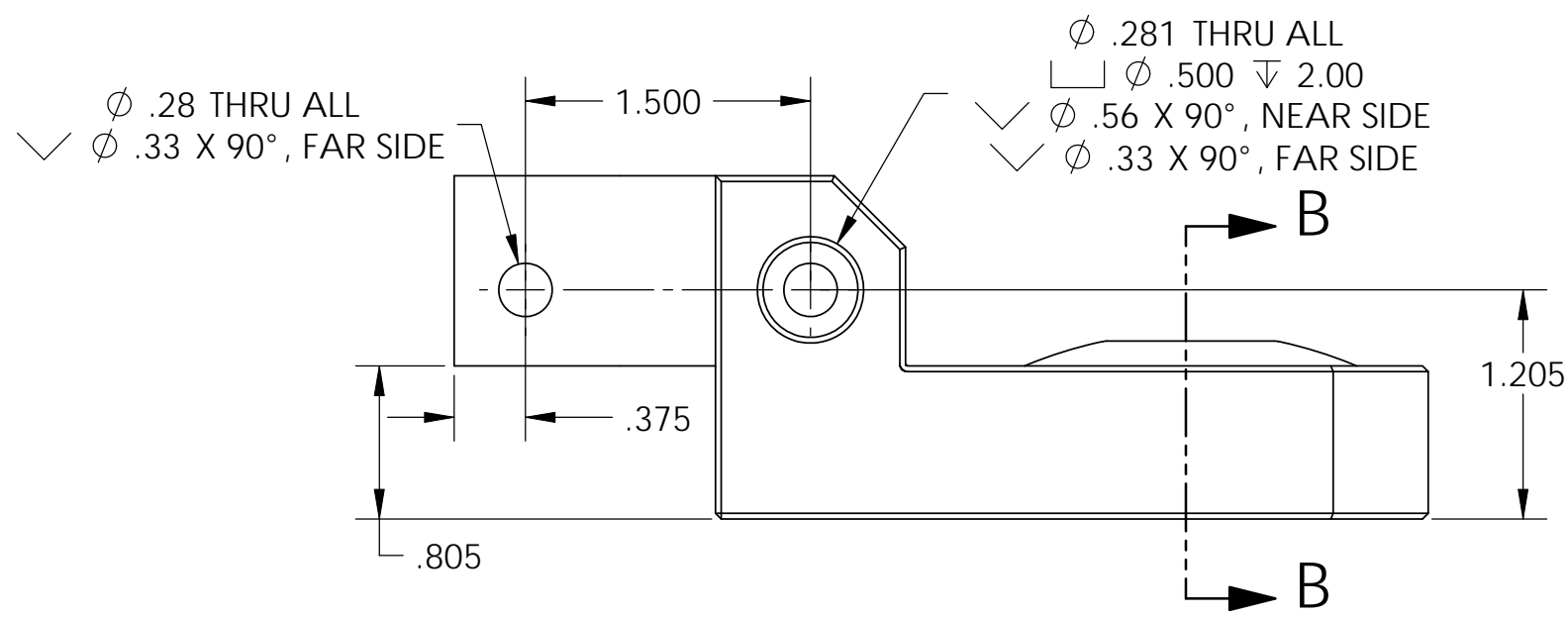
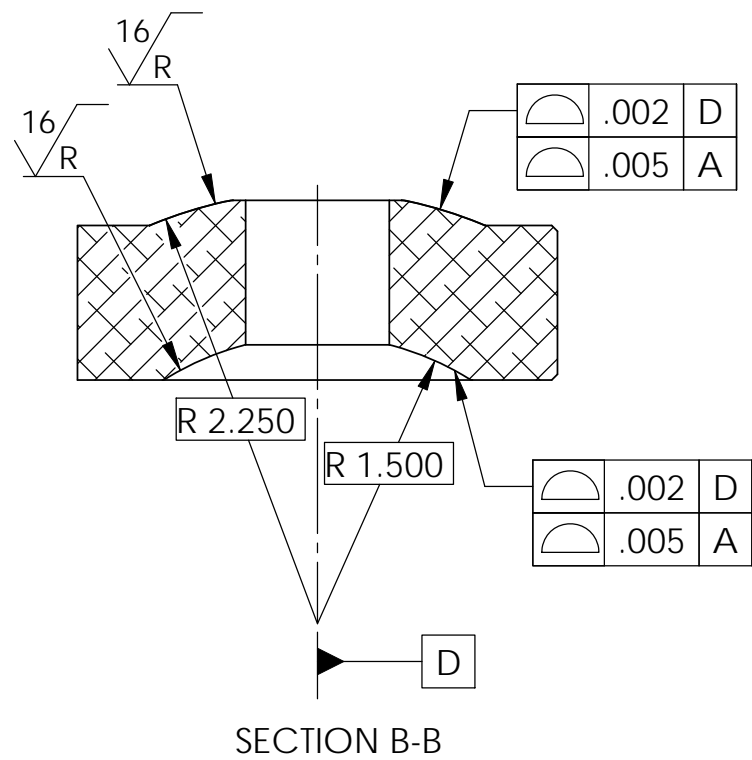
DIMENSIONS ARE IN INCHES  
 TOLERANCES:  
 .XX  $\pm .015$   
 .XXX  $\pm .005$   
 ANGULAR  $\pm .5^\circ$

1. INTERPRET DRAWING PER ASME Y14.5-1994.  
 2. BREAK ALL CORNERS AND EDGES  $.03 \times 45^\circ$ .  
 3. DO NOT SCALE FROM DRAWING.  
 4. ALL MACHINING FLUIDS MUST BE FULLY SYNTHETIC, FULLY WATER SOLUBLE AND FREE OF SULFUR, SILICONE, AND CHLORINE.

**MATERIAL** 6061-T6 Al **FINISH** 32  $\mu$ inch

CALIFORNIA INSTITUTE OF TECHNOLOGY MASSACHUSETTS INSTITUTE OF TECHNOLOGY		<b>PART NAME</b> STAGE 1-2, HORIZONTAL DISPLACEMENT SENSOR MOUNT	
<b>SYSTEM</b> ADVANCED LIGO	<b>SUB-SYSTEM</b> SEI	<b>DESIGNER</b> S.BARNUM 01 Mar. 2010 <b>DRAFTER</b> M.HILLARD 01 Mar. 2010 <b>CHECKER</b> F.MATICHARD 01 Mar. 2010 <b>APPROVAL</b> K.MASON 01 Mar. 2010	<b>SIZE</b> DWG. NO. <b>B</b> D0902250 <b>REV.</b> v1
<b>NEXT ASSY</b> D0902529		<b>SCALE:</b> 1:1 <b>PROJECTION:</b> <b>SHEET 1 OF 2</b>	

D0902250 STAGE 1-2, HORIZONTAL DISPLACEMENT SENSOR MOUNT, PART PDM REV: X-014, DRAWING PDM REV: X-002



**LIGO** CALIFORNIA INSTITUTE OF TECHNOLOGY  
MASSACHUSETTS INSTITUTE OF TECHNOLOGY

SIZE <b>B</b>	DWG. NO. D0902250	REV. V1
SCALE: 1:1	PROJECTION:	SHEET 2 OF 2