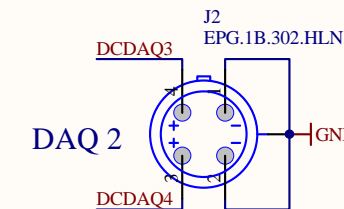
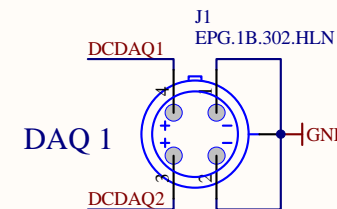
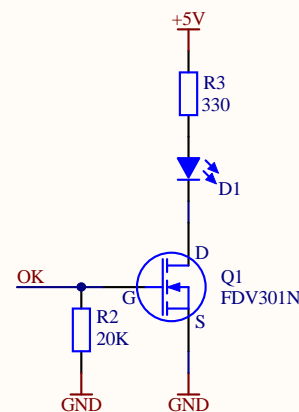
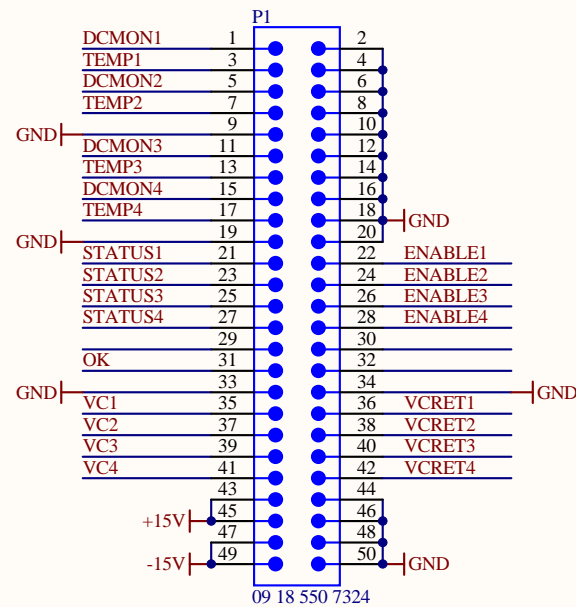
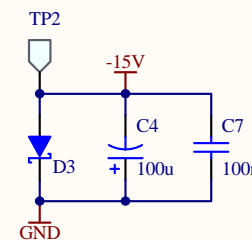
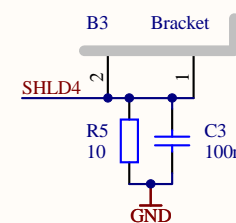
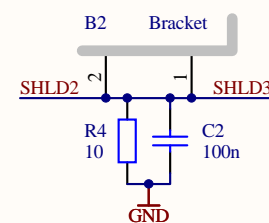
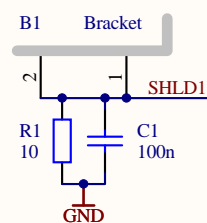


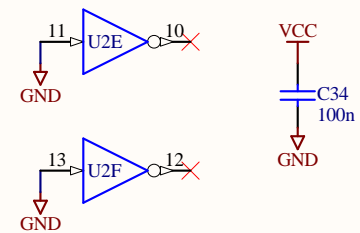
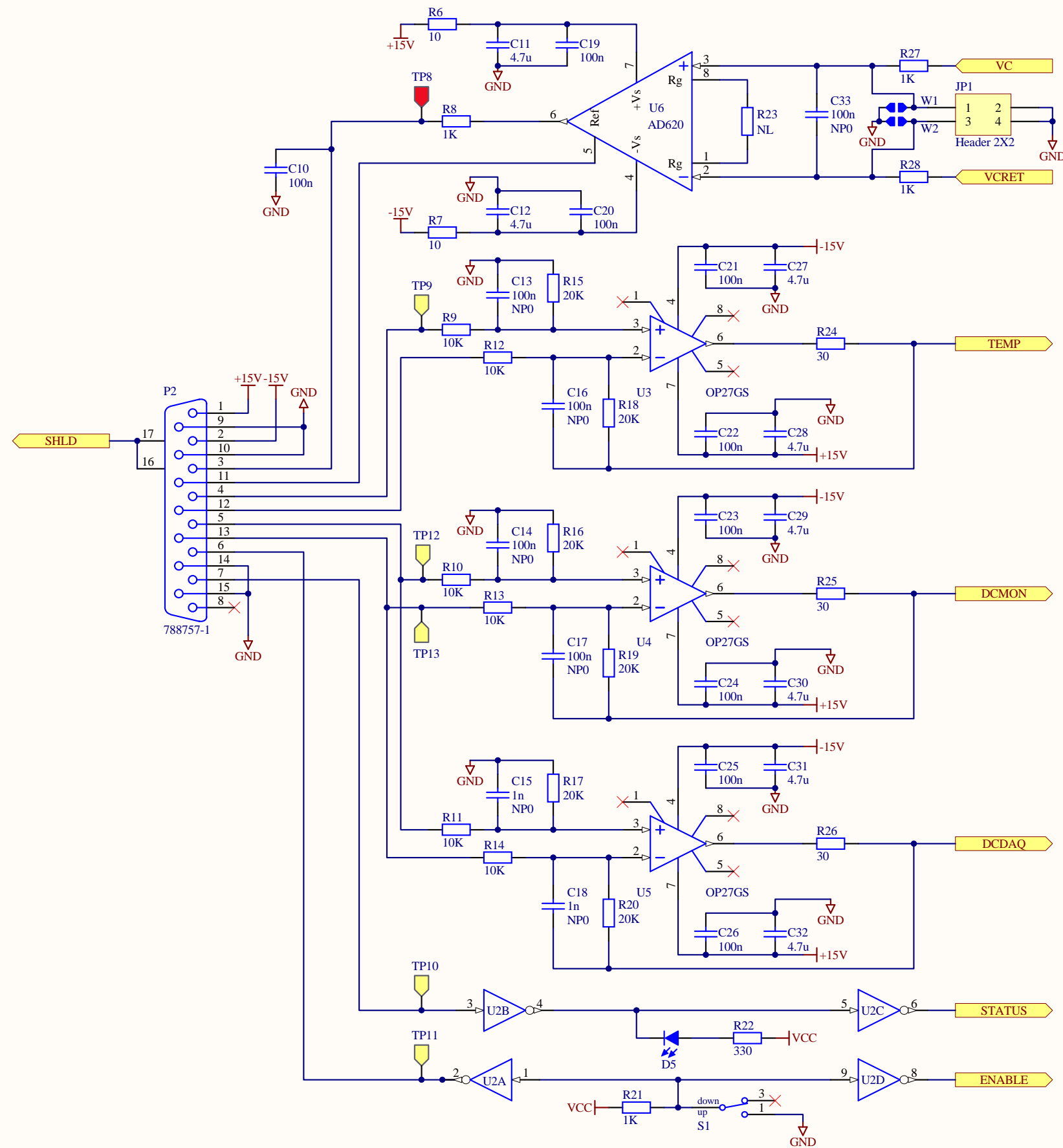
- U1_B heatsink
- H19 #4 screw, 3/8"
- H20 #4 lock washer
- H21 #4 nut



- | | | |
|-------------------|--------------------|--------------------|
| H1 #4 screw, 3/8" | H7 #4 screw, 3/8" | H13 #4 screw, 3/8" |
| H2 #4 screw, 3/8" | H8 #4 screw, 3/8" | H14 #4 screw, 3/8" |
| H3 #4 lock washer | H9 #4 lock washer | H15 #4 lock washer |
| H4 #4 lock washer | H10 #4 lock washer | H16 #4 lock washer |
| H5 #4 nut | H11 #4 nut | H17 #4 nut |
| H6 #4 nut | H12 #4 nut | H18 #4 nut |



Title		
LSC Photodiode Interface		
Size	Number	Revision
B	D990543	D
Date:	10/16/2009	Sheet 1 of 2
File:	C:\Users\...\PDInt1.SchDoc	Drawn By: Daniel Sigg



Title		
LSC Photodiode Interface		
Size	Number	Revision
B	D990543	D
Date:	10/16/2009	Sheet 2 of 2
File:	C:\Users\...\PDInt2.SchDoc	Drawn By: Daniel Sigg