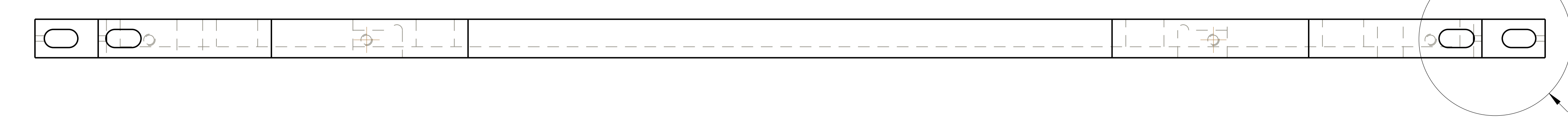
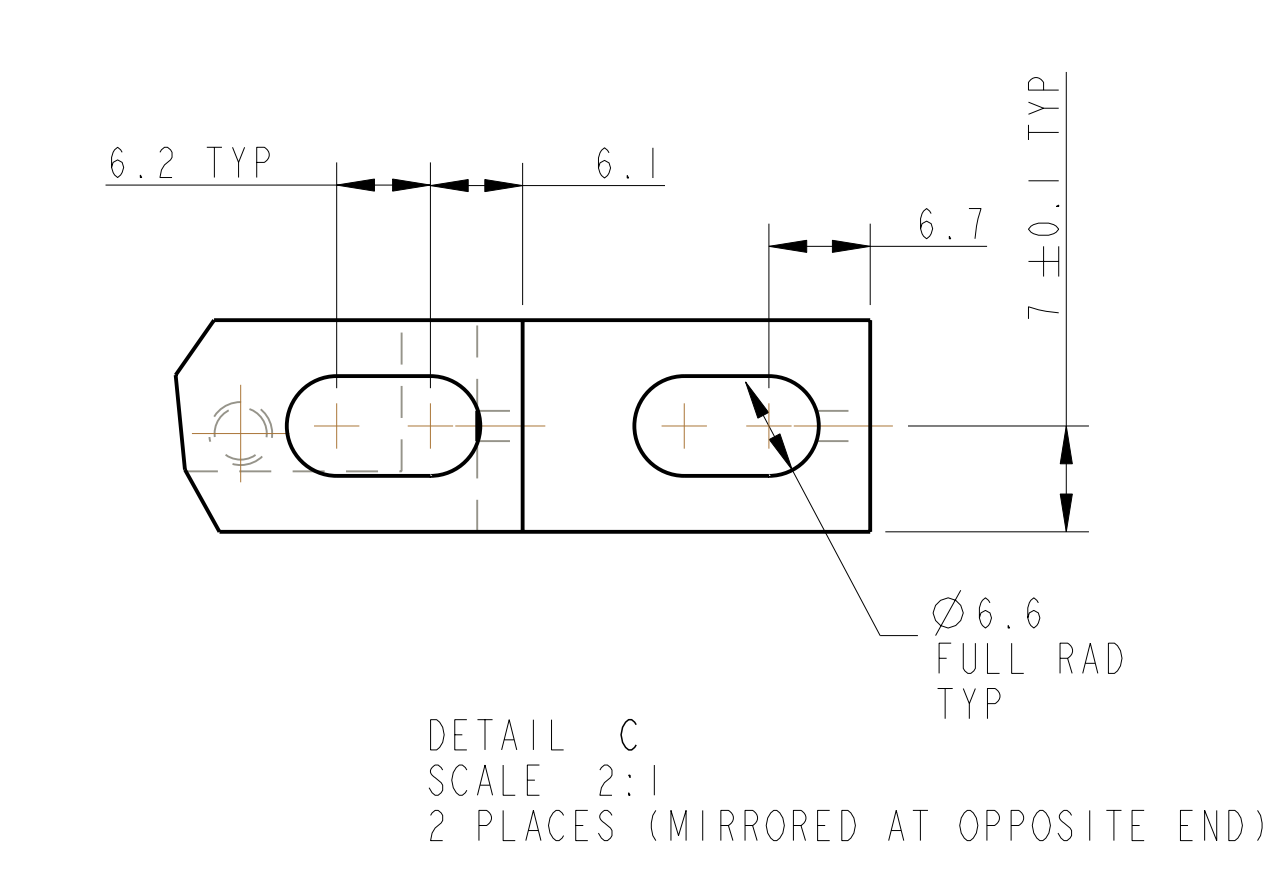
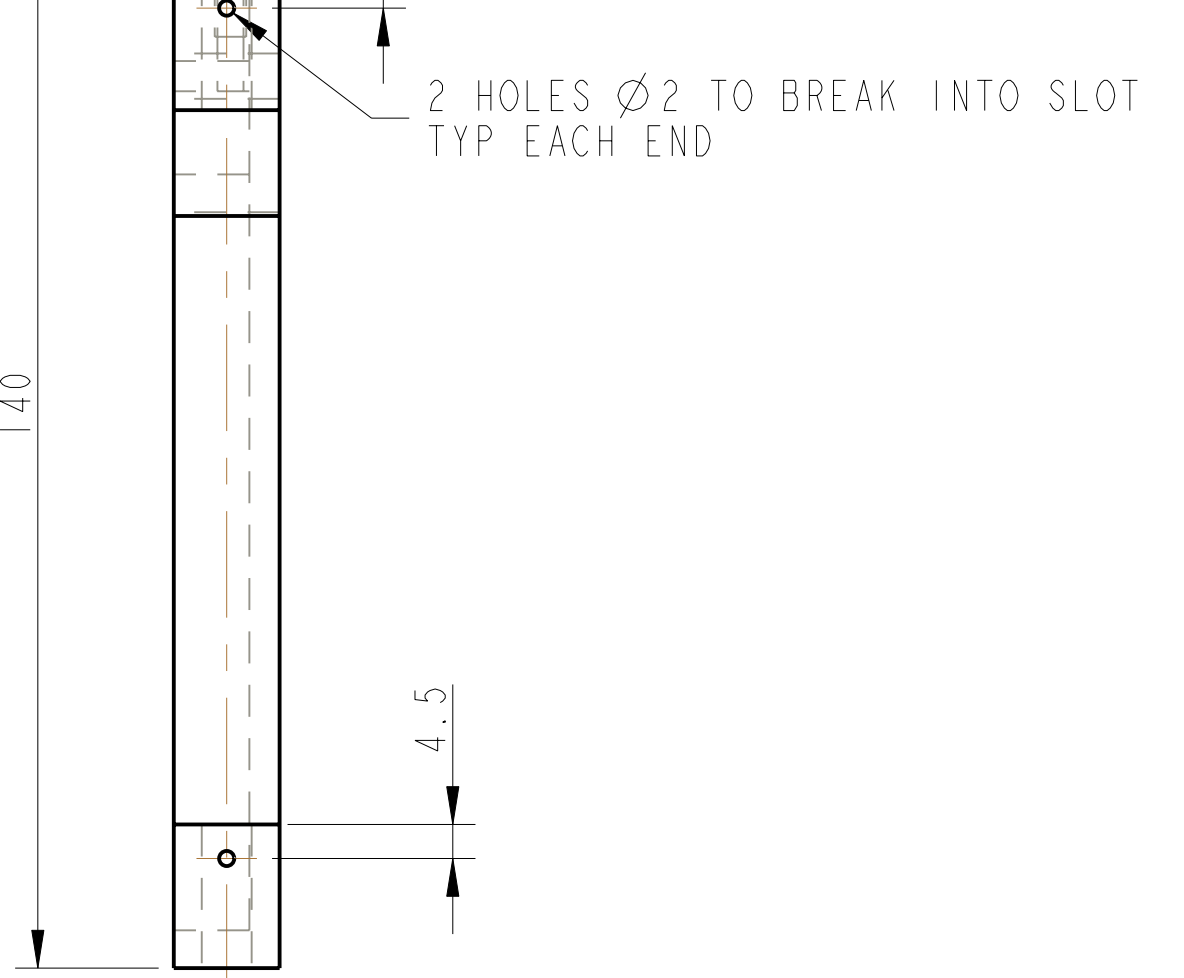


PART NO. (SEE NOTE 4) TO BE ETCHED OR STAMPED IN APPROX. POSITION SHOWN



NOTES: UNLESS OTHERWISE SPECIFIED:  
 1. REMOVE ALL SHARP EDGES.  
 2. DO NOT SCALE FROM DRAWING.  
 3. ALL DIMENSIONS UNLESS OTHERWISE SPECIFIED SHALL BE IN MILLIMETERS (FRACTIONS SHALL BE IN 0.01 INCHES).  
 4. ALL DIMENSIONS SHALL BE TO UNLESS OTHERWISE SPECIFIED.  
 5. ALL DIMENSIONS SHALL BE TO UNLESS OTHERWISE SPECIFIED.  
 6. ALL DIMENSIONS SHALL BE TO UNLESS OTHERWISE SPECIFIED.  
 7. ALL DIMENSIONS SHALL BE TO UNLESS OTHERWISE SPECIFIED.  
 8. ALL DIMENSIONS SHALL BE TO UNLESS OTHERWISE SPECIFIED.  
 9. ALL DIMENSIONS SHALL BE TO UNLESS OTHERWISE SPECIFIED.  
 10. ALL DIMENSIONS SHALL BE TO UNLESS OTHERWISE SPECIFIED.

DESIGN	DATE	DRAWN	DATE
REVISED		REVISED	
APPROVED		APPROVED	

DATE: 08/04/2001  
 SCALE: 1:1  
 SHEET NO.: 1  
 TOTAL SHEETS: 1  
 DRAWING TITLE: **TABLECLOTH BACK BRIDGE**  
 PROJECT: **BEAMPLIFIER TOP TABLECLOTH**  
 ORGANIZATION: **DOE/BNL**  
 DRAWING NO.: **001**