

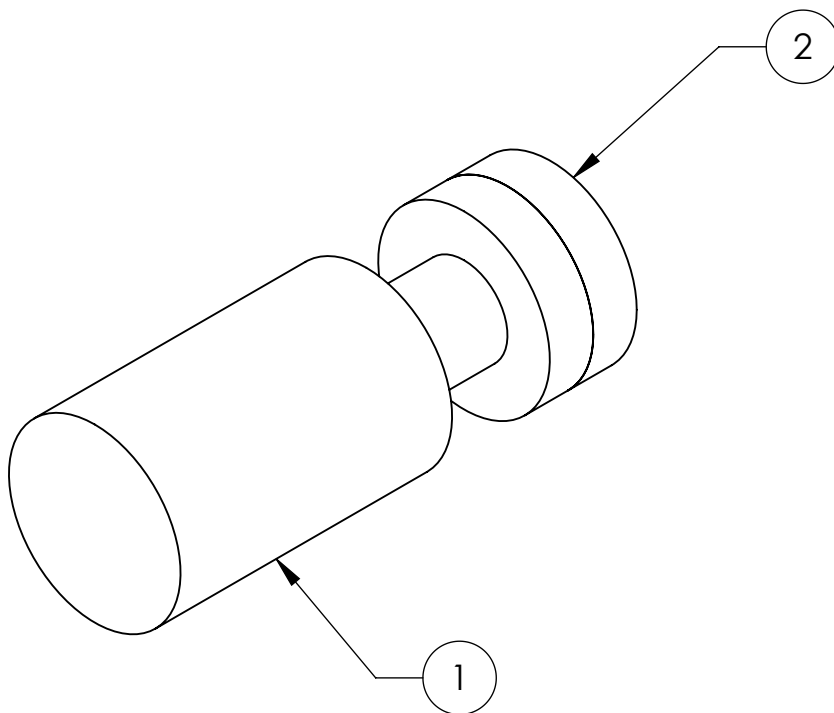
4

3

2

1

| REV. | DATE        | DCN #    | DRAWING TREE # |
|------|-------------|----------|----------------|
| v1   | 30 DEC 2009 | E0900507 | E0900353       |
| -    | -           | -        | -              |
| -    | -           | -        | -              |



| 3        | -            | UHV-COMPATIBLE ADHESIVE (MASTERBOND EP30-2 OR EQUIVALENT)   | -          | A/R | -     | A/R   |
|----------|--------------|---|------------|-----|-------|-------|
| 2        | SCDS-079-020 | SINTERED SmCo MAGNET, 2 mm X 0.5 mm (MMC P/N OR EQUIVALENT) | SmCo 2:17  | 1   | -     | 1     |
| 1        | D0902431     | MAGNET STANDOFF, HSTS TEST MASS                             | 6061-T6 Al | 1   | -     | 1     |
| ITEM NO. | PART NUMBER  | DESCRIPTION   | MATERIAL   | REQ | SPARE | TOTAL |

**PARTS LIST**

**NOTES: (UNLESS OTHERWISE SPECIFIED)**

1. INTERPRET DRAWING PER ASME Y14.5-1994.
2. DO NOT SCALE FROM DRAWING.
3. ASSEMBLE ACCORDING TO LIGO-E990196, MAGNET/STANDOFF ASSEMBLY PREPARATION SPECIFICATION.

**LIGO** CALIFORNIA INSTITUTE OF TECHNOLOGY  
 MASSACHUSETTS INSTITUTE OF TECHNOLOGY

SYSTEM: **ADVANCED LIGO** SUB-SYSTEM: **SUS**  
 NEXT ASSY: **HSTS TEST MASS**

PART NAME: **MAGNET/STANDOFF ASSEMBLY, HSTS TEST MASS**

|          |          |             |             |                 |           |
|----------|----------|-------------|-------------|-----------------|-----------|
| DESIGNER | M. MEYER | 14 OCT 2009 | SIZE        | DWG. NO.        | REV.      |
| DRAFTER  | B. MOORE | 17 NOV 2009 | <b>A</b>    | <b>D0902432</b> | <b>v1</b> |
| CHECKER  | M. MEYER | 19 NOV 2009 |             |                 |           |
| APPROVAL |          |             | SCALE: 16:1 | PROJECTION:     |           |

SHEET 1 OF 1

4

3

2

1