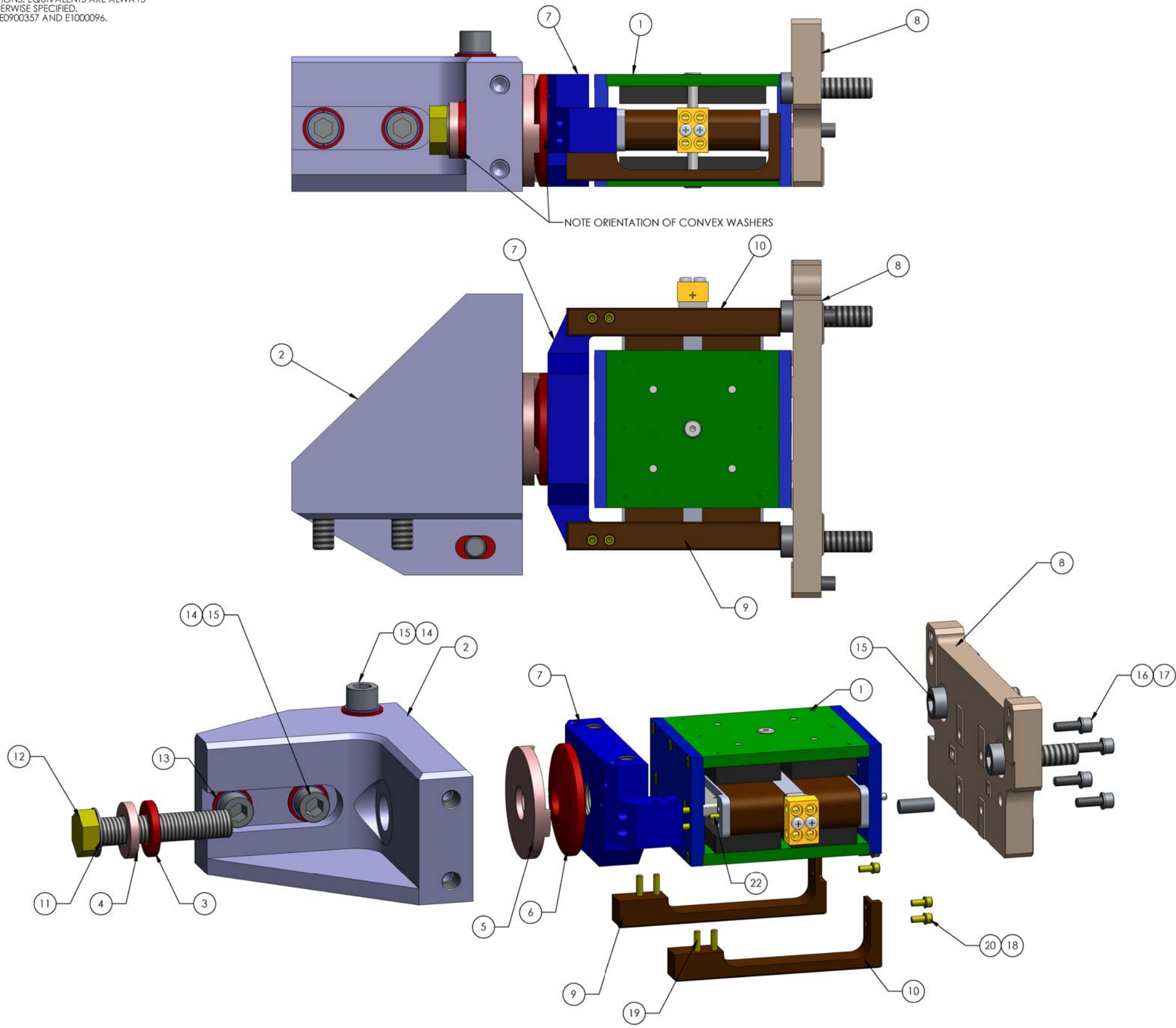


NOTES CONTINUED:
 5. VENDOR REFERENCES ARE PROVIDED AS EXAMPLES OF PARTS MEETING ALL REQUIRED SPECIFICATIONS. EQUIVALENTS ARE ALWAYS ACCEPTABLE UNLESS OTHERWISE SPECIFIED.
 6. ASSEMBLY PROCEDURES: E0900357 AND E1000096.

REV.	DATE	DCN #	DRAWING TREE #
v1	19 Mar. 2010	E1000049	E1000025



ITEM NO.	PART NUMBER	DESCRIPTION	MATERIAL	REQ
22	D1001737	Step Pin, Small Actuator, aLIGO BSC ISI	18-8 SSSL	2
21	McMaster_90145A539	Dowel Pin 1/4" (.2501) x 5/8" L 18.8 SST	18-8 Stainless	2
20	MCMaster_92196A106	Screw 4-40 x .25" lg. SHCS	18-8 SSSL	4
19	MCMaster_92196A113	SCREW, SHCS 4-40 X .75 LG.	18-8 SSSL	8
18	UCC_WFV-04	Flat Washer, #4, .115 id x .209 od x .016 thk	18-8 SSSL	8
17	UC_COMPONENTS_WFV-08	Washer Vented, .17 ID X .304 OD X .032 THK #8	18-8 SS	4
16	UCC_C-808-NA	SHCS, 8-32 X .50 LG. AG PLATED	18-8 SS	4
15	HOLOKROME_78100	SHCS, 3/8"-16x1.25"	18-8 SS	5
14	UC_COMPONENTS_WFV-38	Washer Vented, .39 ID X .63 OD X .032 THK #3/8"	18-8 SS	3
13	MC MASTER 92217A520	3/8" Washer, 47/64" OD, 13/32" ID, 0.05" to 0.12" THCK	304, 316 OR 302 SSSL	3
12	McMaster_92240A722	SCREW HEX HEAD, 1/2-13 X 2.5 FULL THD	18-8 SSSL	1
11	UC_COMPONENTS_WFV-50	Vented Washer, .515 ID X .87 OD X .032 THK #1/2"	18-8 SS	1
10	D0902154	SMALL ACTUATOR THERMAL BAR LEFT, aLIGO BSC ISI	COPPER	1
9	D0902153	SMALL ACTUATOR THERMAL BAR RIGHT, aLIGO BSC ISI	COPPER	1
8	D0902134	MAGNET TO STAGE2 INTERPOSER, aLIGO BSC ISI	6061-T6 Al	1
7	D0902155	SMALL ACTUATOR BOBBIN COIL BRACKET, aLIGO BSC ISI	6061-T6 Al	1
6	D1000678	SPHERICAL WASHER, 2 IN., OD CONVEX, aLIGO BSC ISI	304 SSSL	1
5	D0902156	SPHERICAL WASHER, 2 IN., OD CONCAVE, aLIGO BSC ISI	304 SSSL	1
4	D0902157	SPHERICAL WASHER, 1 IN., OD CONCAVE, aLIGO BSC ISI	304 SSSL	1
3	D1000679	SPHERICAL WASHER, 1 IN., OD CONVEX, aLIGO BSC ISI	304 SSSL	1
2	D0902162	SMALL HORIZONTAL ACTUATOR SLIDE BRACKET, aLIGO BSC ISI	6061-T6 Al	1
1	D1000584	SMALL ACTUATOR, aLIGO BSC-ISI	N/A	1

NOTES AND TOLERANCES: (UNLESS OTHERWISE SPECIFIED)	
DIMENSIONS ARE IN INCHES	
TOLERANCES: .XX ± N/A .XXX ± N/A	
ANGULAR ± N/A *	
MATERIAL	FINISH
N/A	N/A μinch

CALIFORNIA INSTITUTE OF TECHNOLOGY MASSACHUSETTS INSTITUTE OF TECHNOLOGY	
SYSTEM	SUB-SYSTEM
ADVANCED LIGO	SEI
NEXT ASSY	D1000717

PART NAME			
Stage 1-2, Horizontal Actuator Assem			
DESIGNER	S.BARNUM	19 Mar. 2010	SIZE
DRAFTER	M.HILLARD	19 Mar. 2010	DWG. NO.
CHECKER	F.MATICHARD	19 Mar. 2010	D
APPROVAL	K.MASON	19 Mar. 2010	D0902530
SCALE: 1:1		PROJECTION:	REV.
			v1
SHEET 1 OF 1			

D0902530 Stage1-2 Horizontal Actuator Assem. PART PDM REV: A.050, DRAWING PDM REV: X.000