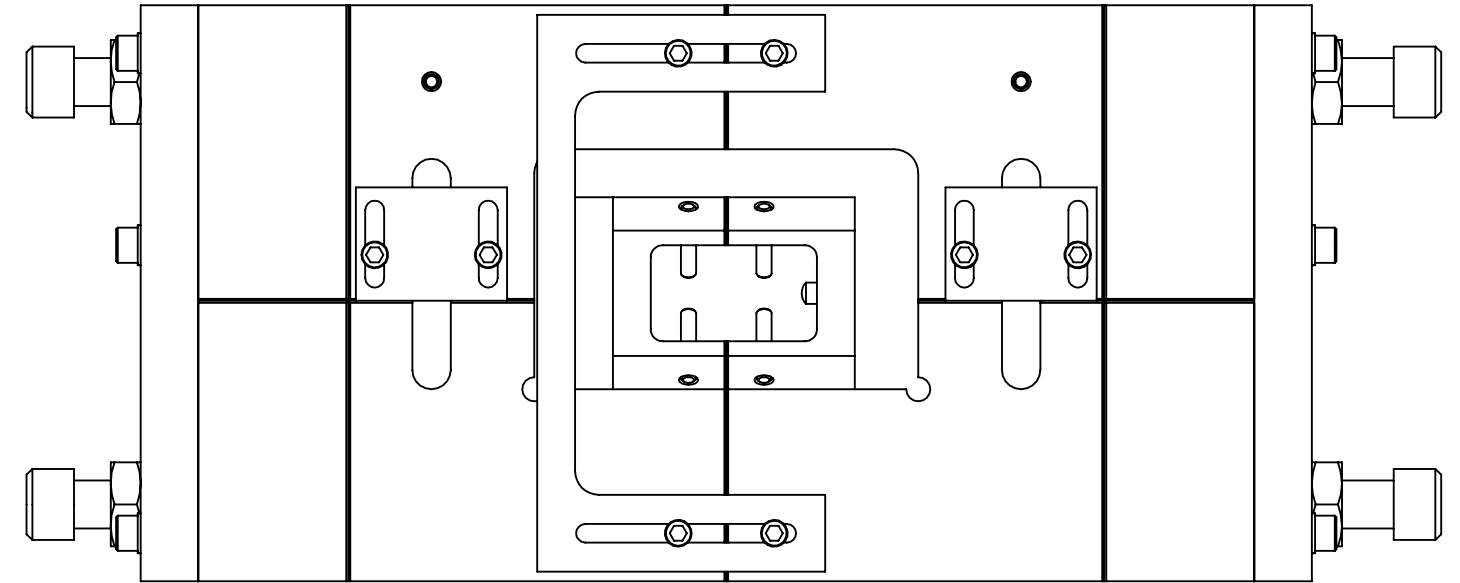
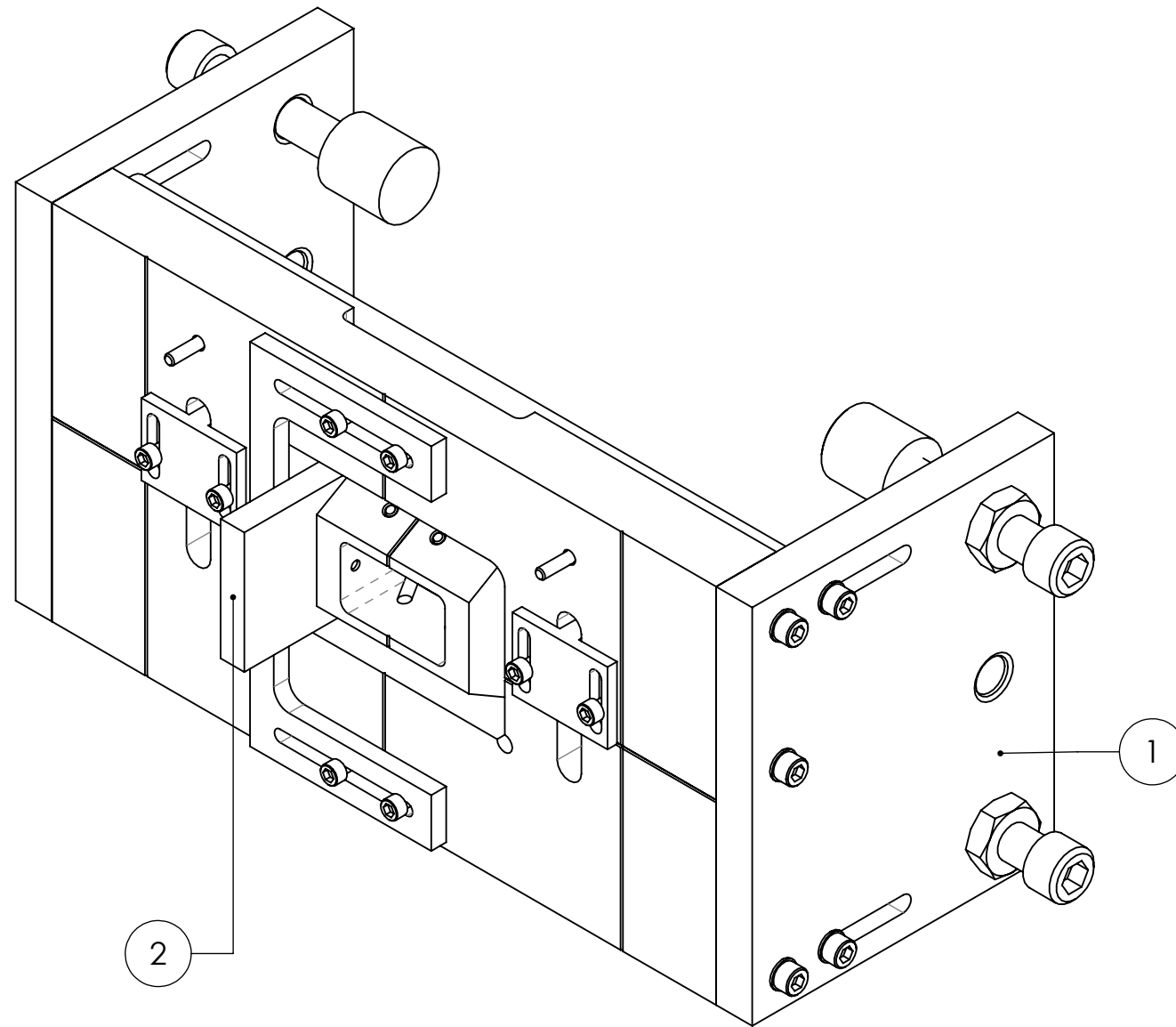


D0902661_Advanced_LIGO_SUS_HLTS_Sapphire_Prism_Bonding_Jig, PART PDM REV: V2-000, DRAWING PDM REV: V2

REV.	DATE	DCN #	DRAWING TREE #
v1	22 OCT 2009	E0900369	E080191
v2	02 SEP 2011	E1100826	E080191
v3	14 DEC 2011	E1101195	E080191



FRONT VIEW

ITEM NO.	PART NUMBER	DESCRIPTION	MATERIAL	REQ	SPARE	TOTAL
2	D0902663	SAPPHIRE PRISM HOLDER ASSY	N/A	1	0	1
1	D0902662	SAPPHIRE PRISM BONDING FIXTURE	N/A	1	0	1

PARTS LIST

NOTES AND TOLERANCES: (UNLESS OTHERWISE SPECIFIED)

MATERIAL N/A FINISH N/A μinch

LIGO CALIFORNIA INSTITUTE OF TECHNOLOGY
 MASSACHUSETTS INSTITUTE OF TECHNOLOGY
 SYSTEM ADVANCED LIGO SUB-SYSTEM SUS
 NEXT ASSY SAPPHIRE PRISM PLACEMENT FIXTURE

PART NAME
SAPPHIRE PRISM BONDING JIG, HLTS

DESIGNER	D. BRIDGES	07 SEP 2011	SIZE	DWG. NO.	REV.
DRAFTER	D. BRIDGES	17 DEC 2011	B	D0902661	v3
CHECKER	B. MOORE	19 DEC 2011	SCALE	1:1	PROJECTION:
APPROVAL					SHEET 1 OF 1