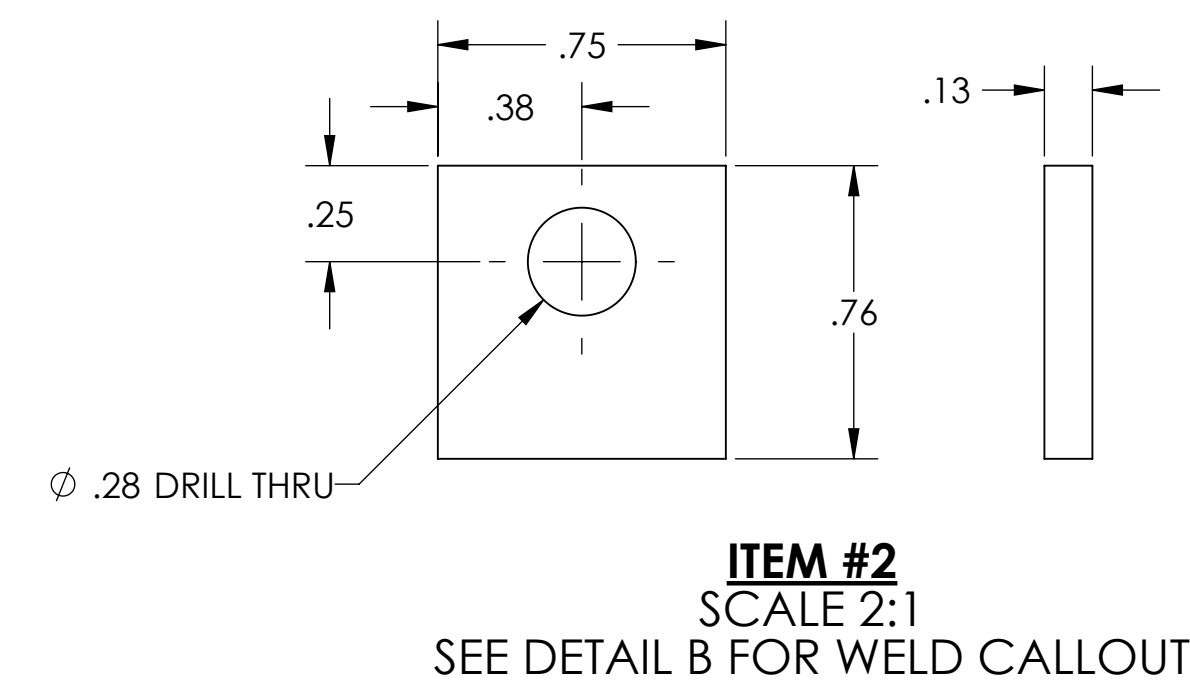
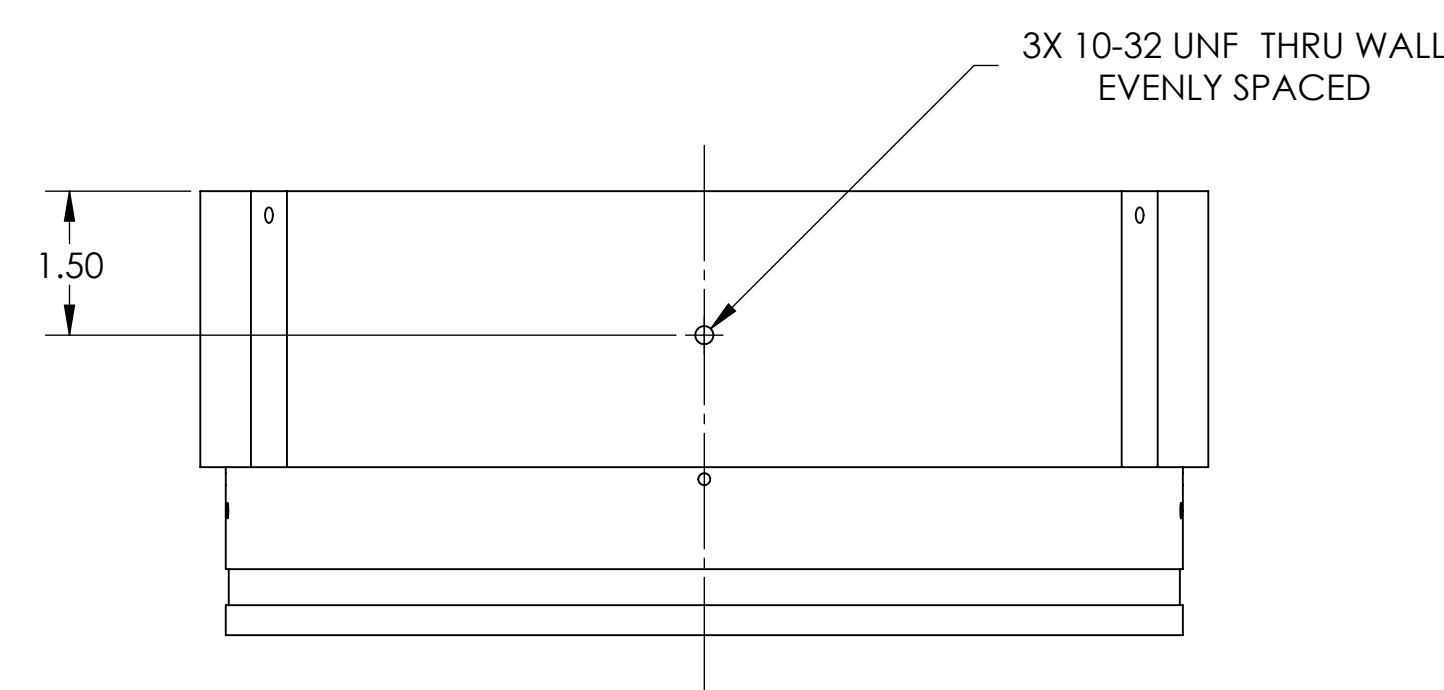
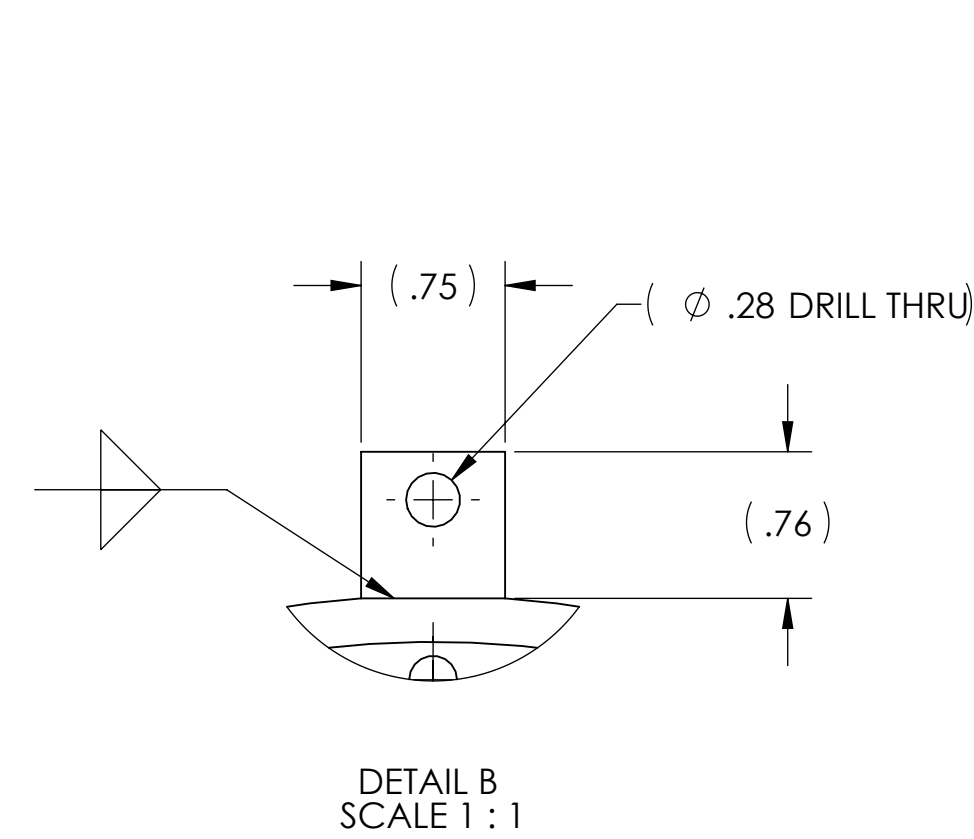
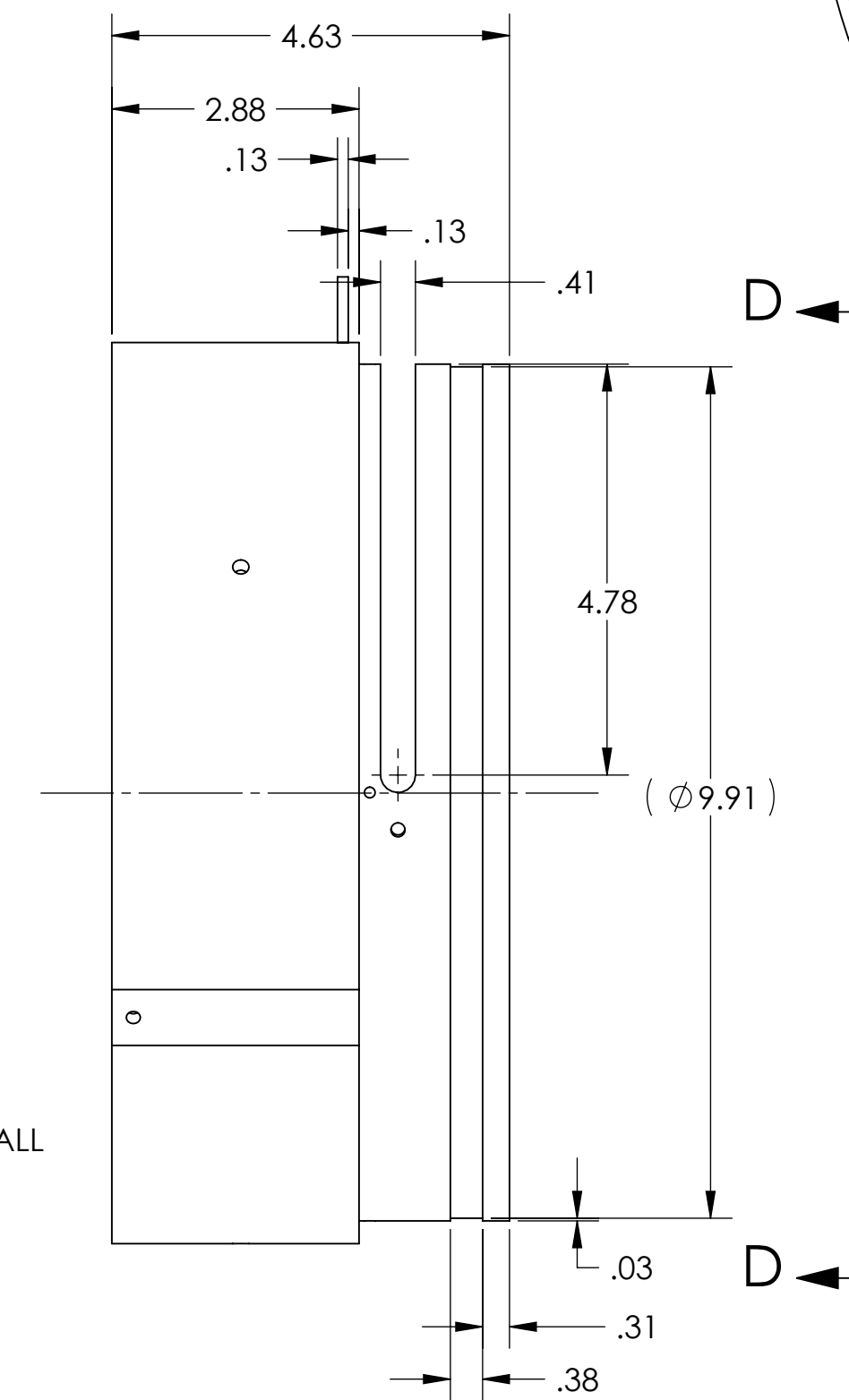
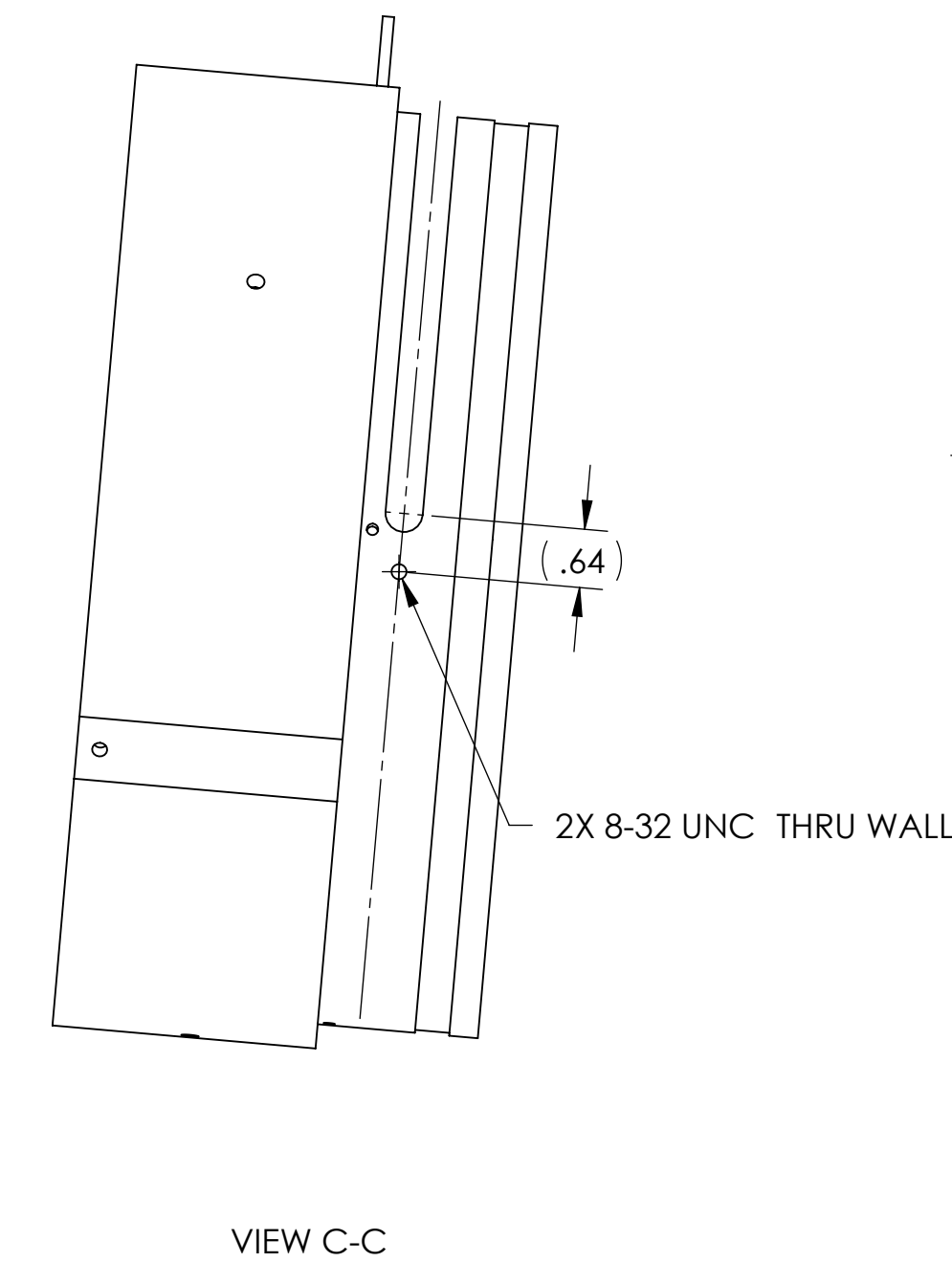
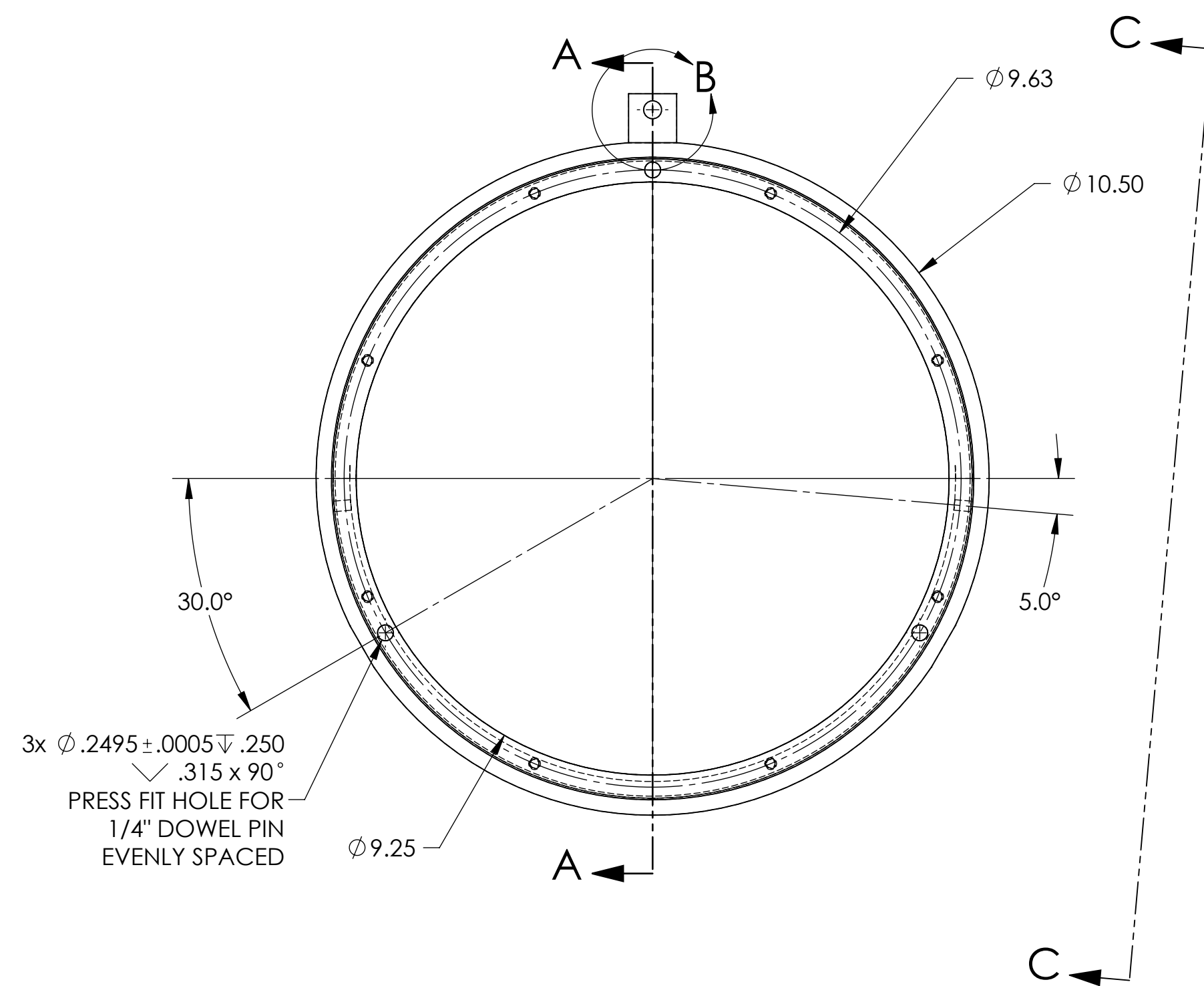
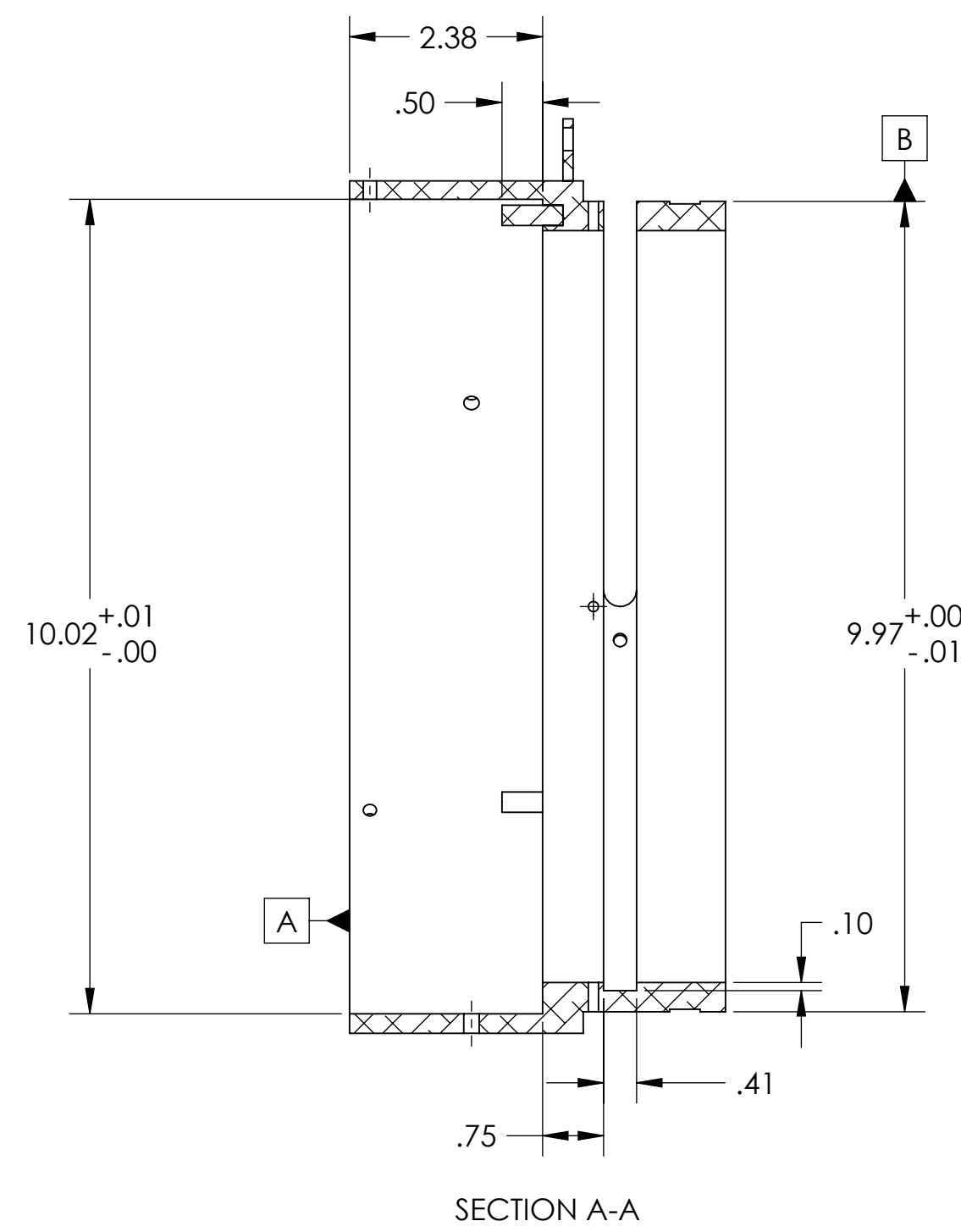
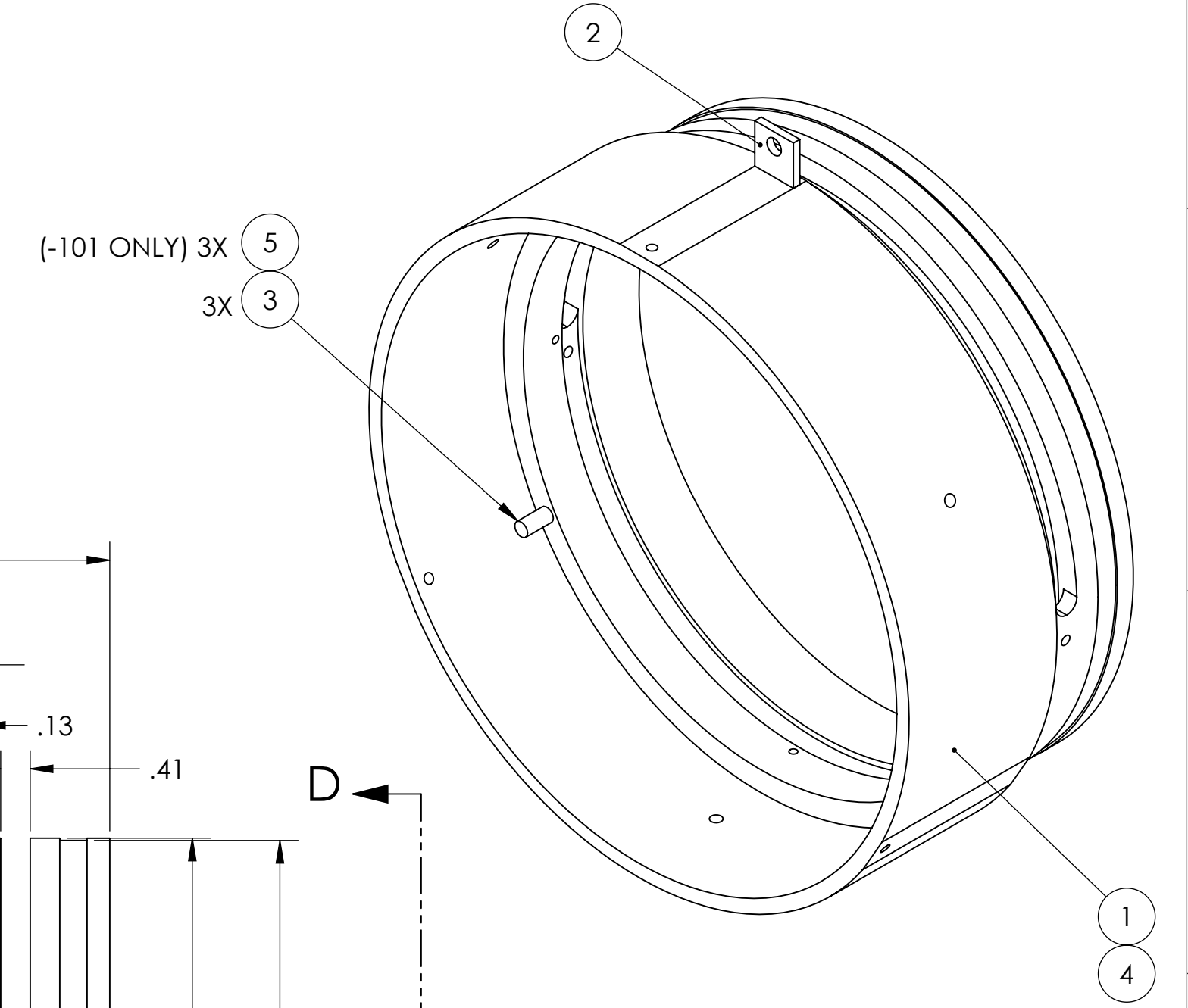
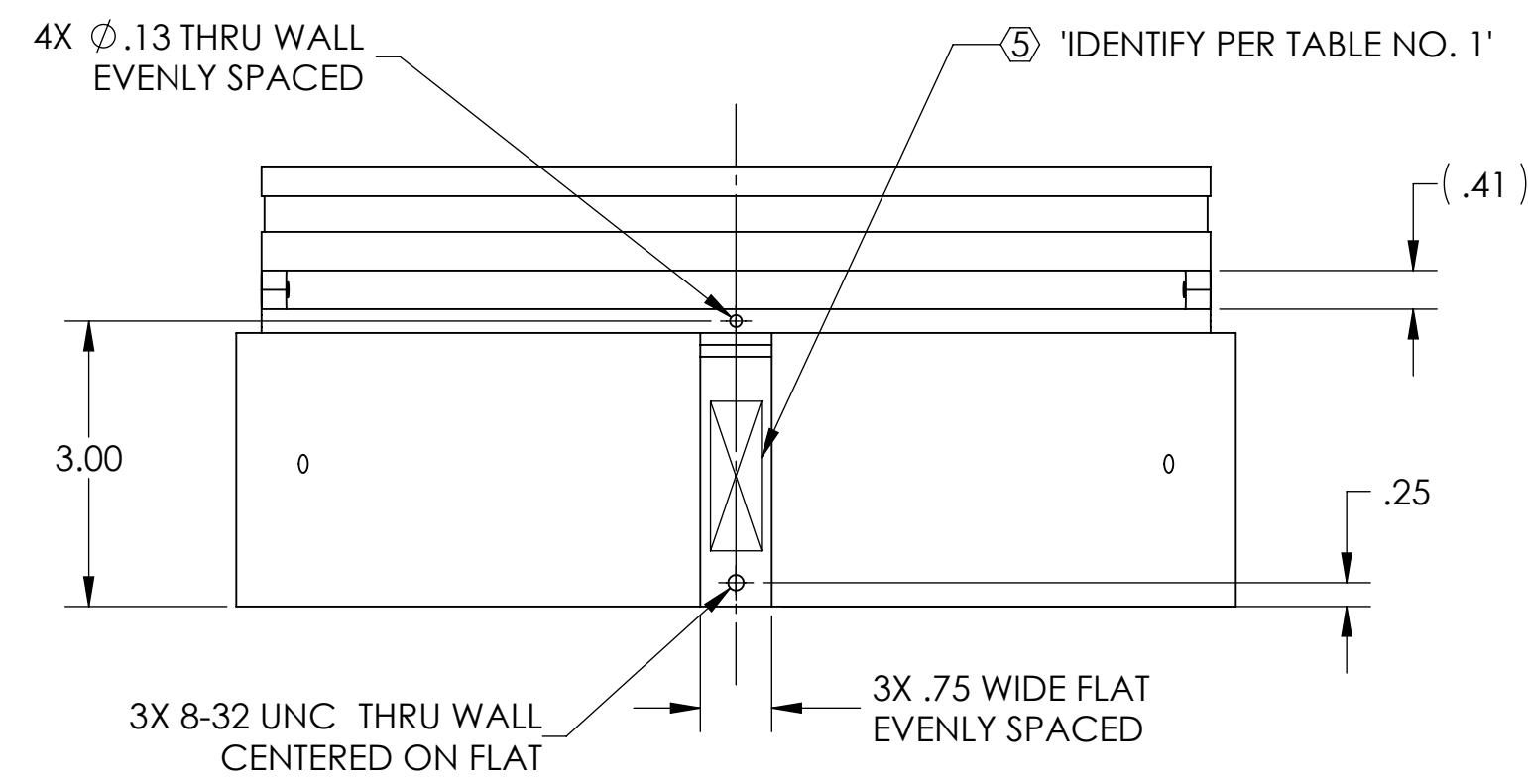


NOTES CONTINUED:
 ⑤ SCRIBE, ENGRAVE (A VIBRATORY TOOL MAY BE USED), LASER MARK OR MECHANICALLY STAMP (NO INKS OR DYES) DRAWING PART NUMBER, REVISION (AND VARIANT OR 'TYPE' IF APPLICABLE) ON NOTED SURFACE OF PART FOLLOWED ON THE NEXT LINE WITH A THREE DIGIT SERIAL NUMBER. SERIAL NUMBERS START AT 001 FOR THE FIRST ARTICLE AND PROCEED CONSECUTIVELY. USE MINIMUM 0.12" HIGH CHARACTERS, UNLESS THE SIZE OF THE PART DICTATES SMALLER CHARACTERS. EXAMPLE: DXXXXXX-VY, TYPE-XX, S/N XXX
 ⑥ ITEMS 1 AND 2 (OR 2 AND 4) CAN BE MADE FROM ONE PIECE IF DESIRED.

REV.	DATE	DCN #	DRAWING TREE #
v1	21 DEC 2009	E0900484	-
v5	30 MAR 2016	E1600096-x0	-
v6	19 MAY 2016	E1600153-x0	-



ITEM NO.	PART NUMBER	DESCRIPTION	MATERIAL	QTY.
3	-	1/4" DOWEL PIN, 3/4 LONG	316 SSTL	-
2	D080365-2 (6)	LOCKING TAB, 0.76" X 0.75" X 0.125 THICK	6061-T6 AL	1
1	D080365-1 (6)	VIEWPORT GUARD	6061-T6 AL	1

PARTS LIST

NOTES AND TOLERANCES: (UNLESS OTHERWISE SPECIFIED)	
DIMENSIONS ARE IN INCHES	
TOLERANCES: .XX ± .01 .XXX ± .005	
ANGULAR ± 0.5°	
MATERIAL	6061-T6 AL
FINISH	SEE NOTE 4

CALIFORNIA INSTITUTE OF TECHNOLOGY MASSACHUSETTS INSTITUTE OF TECHNOLOGY	
SYSTEM	ADVANCED LIGO
SUB-SYSTEM	VE
NEXT ASSY	D080367

PART NAME		VIEWPORT GUARD	
DESIGNER	M. MEYER	17 JUL 2008	SIZE DWG. NO.
DRAFTER	M. MEYER	04 DEC 2009	D
CHECKER	D. BRIDGES	08 DEC 2009	D080365
APPROVAL			REV. V6
SCALE: 1:2		PROJECTION:	SHEET 1 OF 2

D080365.dwg, VE, Viewport Guard, PART PDM REV: V2.009, DRAWING PDM REV: V2.005

8

7

6

5

4

3

2

1

H

G

F

E

D

C

B

A

H

G

F

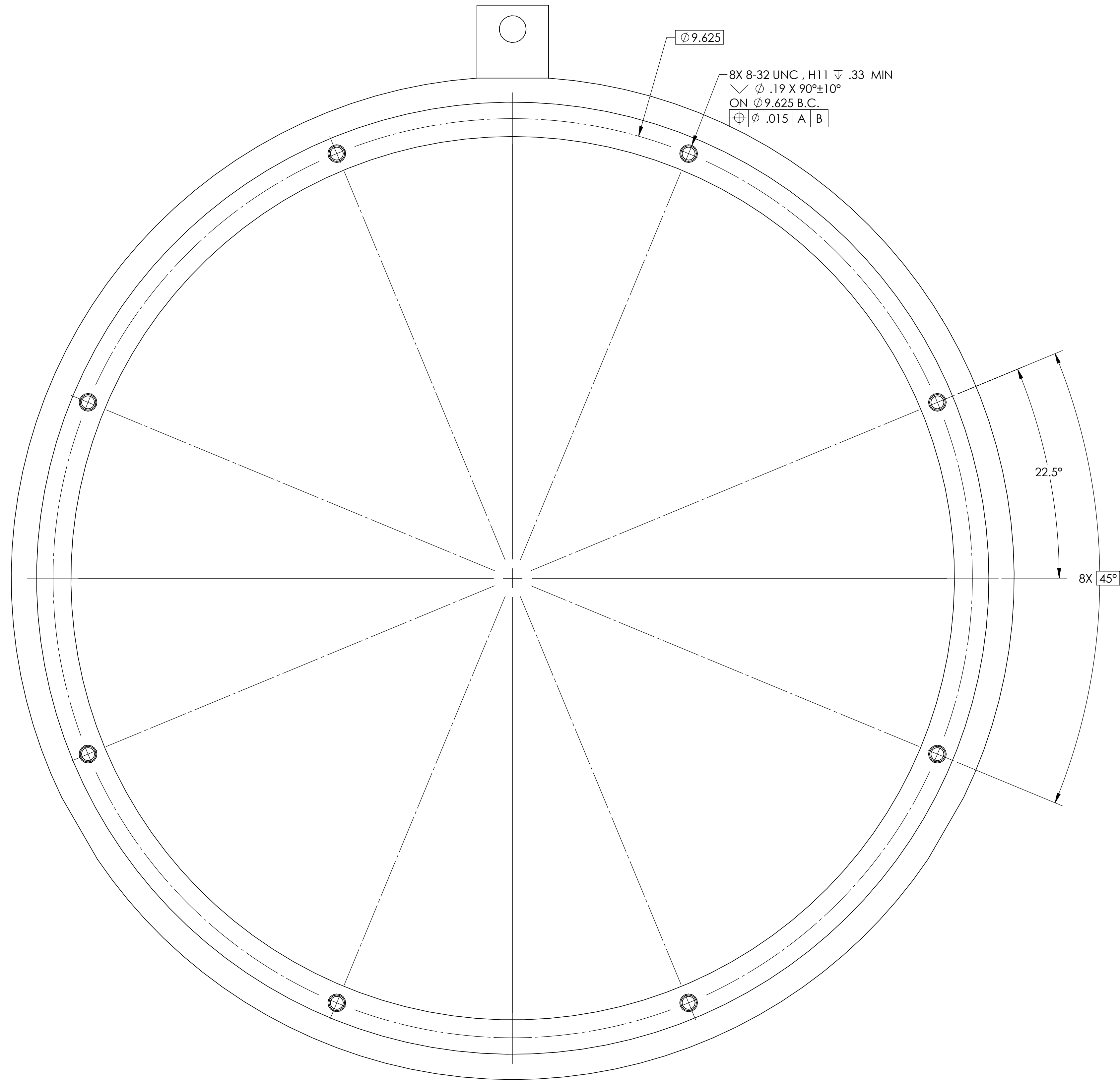
E

D

C

B

A



$\varnothing 9.625$

8X 8-32 UNC, H11 ∇ .33 MIN
 ∇ $\varnothing .19 \times 90^\circ \pm 10^\circ$
 ON $\varnothing 9.625$ B.C.
 \oplus $\varnothing .015$ A | B

22.5°

8X 45°

VIEW D-D

LIGO CALIFORNIA INSTITUTE OF TECHNOLOGY MASSACHUSETTS INSTITUTE OF TECHNOLOGY		REV.
SIZE	DWG. NO.	V6
D	D080365	
SCALE: 3:2	PROJECTION:	SHEET 2 OF 2

D080365_atLIGO_V6_Viewport Guard_PART PDM_REV: V2.009_DRAWING PDM_REV: V2.005

8

7

6

5

4

3

2

1