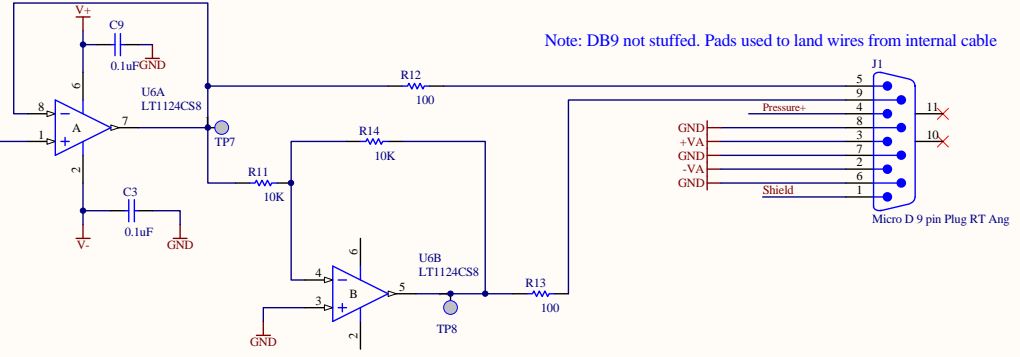
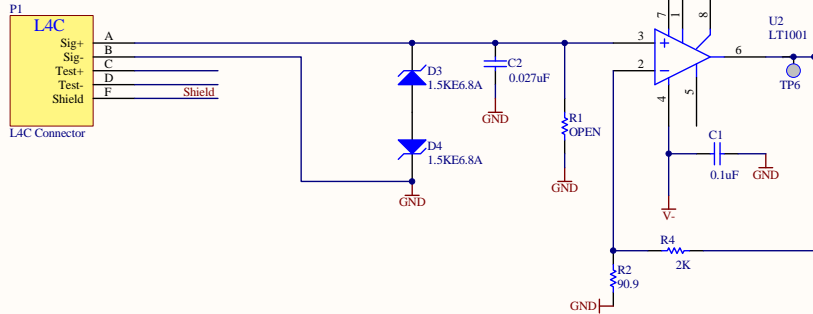


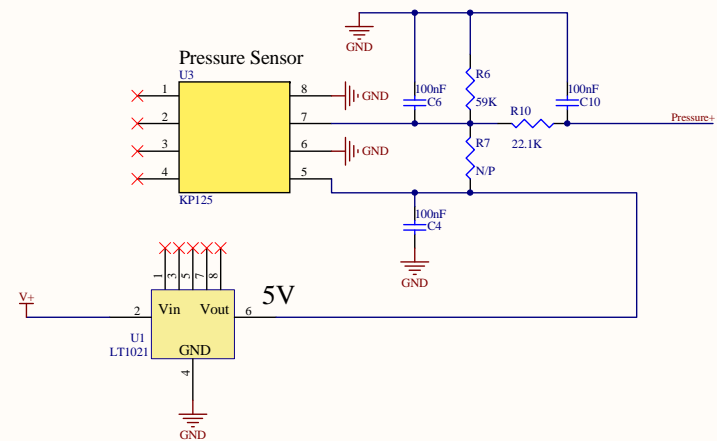
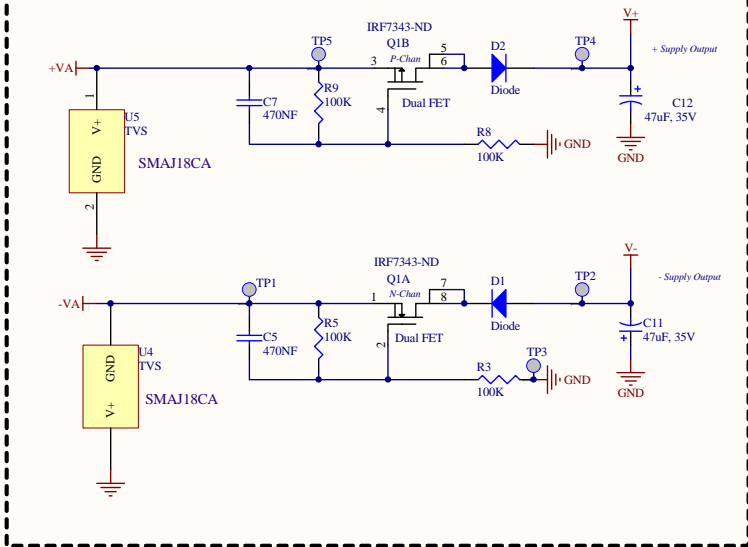
3D

L4C Preamp
L4C0 D1000058-v2
Ser:lp

Pin A--- Coil +
 Pin B--- Coil -
 Pin C--- Cal Coil +
 Pin D--- Cal Coil -
 Pin F--- Case GND/Shield



Inrush Current Limiter, Transient spike, and reverse Voltage protection.



Title ISI L4C Interface Board		LIGO Project California Institute of Technology Massachusetts Institute of Technology		LIGO
Size: B	DCC Number: D1000059	SCH / PCB Revision: v2	Engineer: Sam Abbott	Date: 10/26/2010
File: C:\Documents and Settings\sabbott\My Documents\My Designs\NewL4CPrem(1-6-2010 2-50-11 PM)\L4CPrem3-188210 Schu.c				