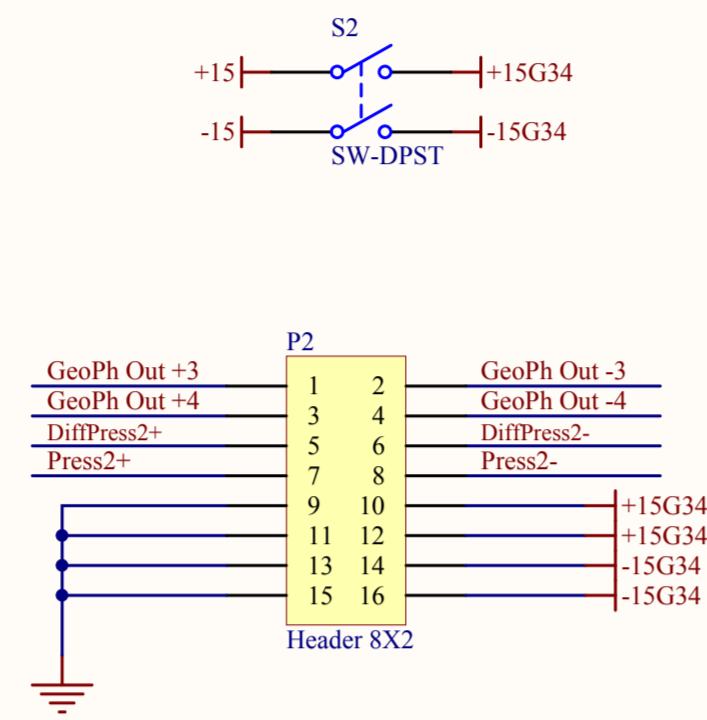
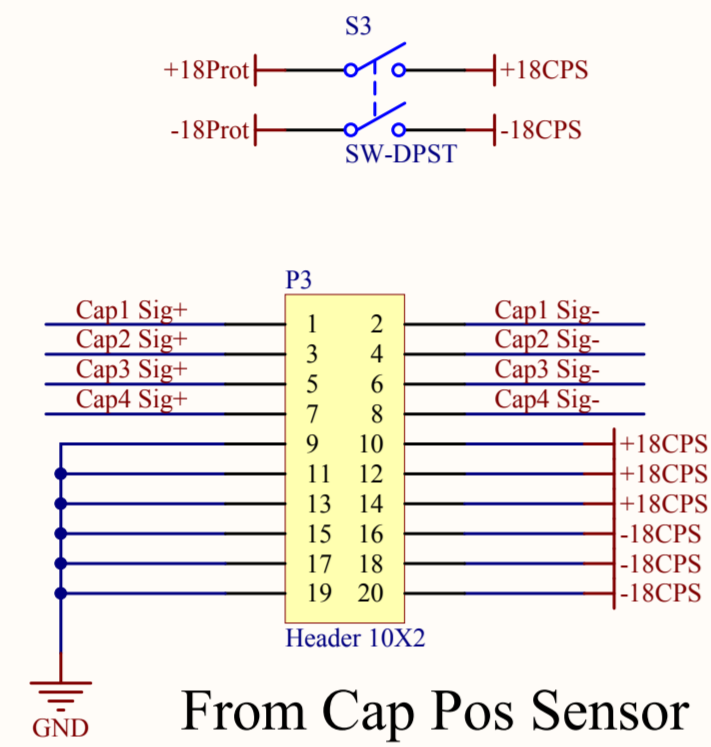


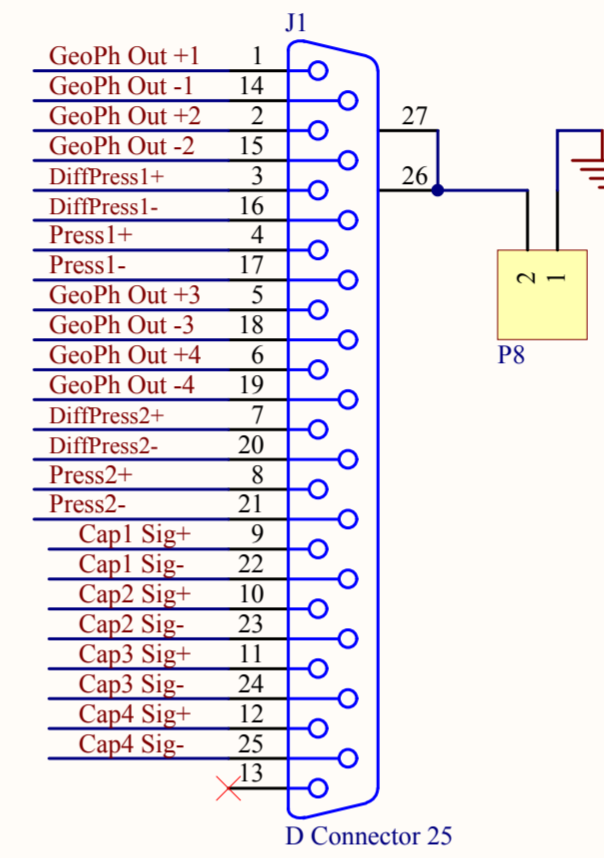
From Geophones 1&2



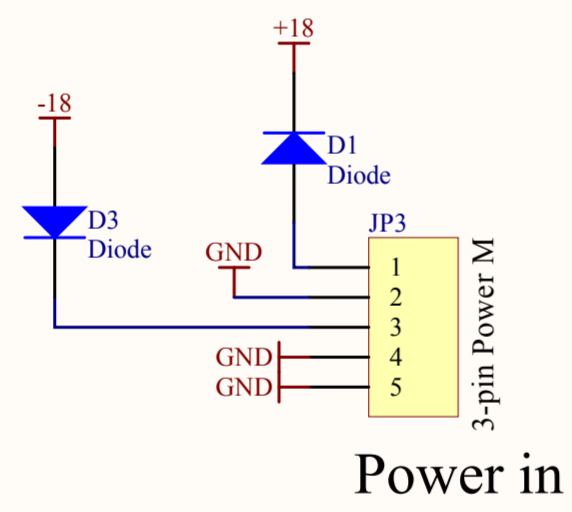
From Geophones 3&4



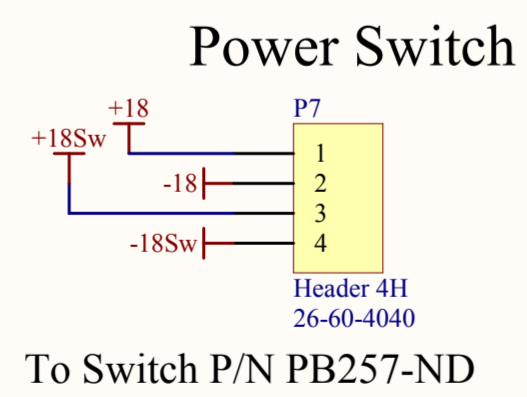
From Cap Pos Sensor



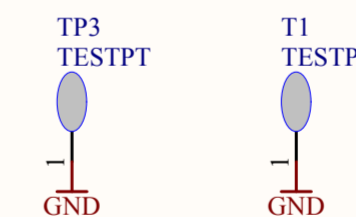
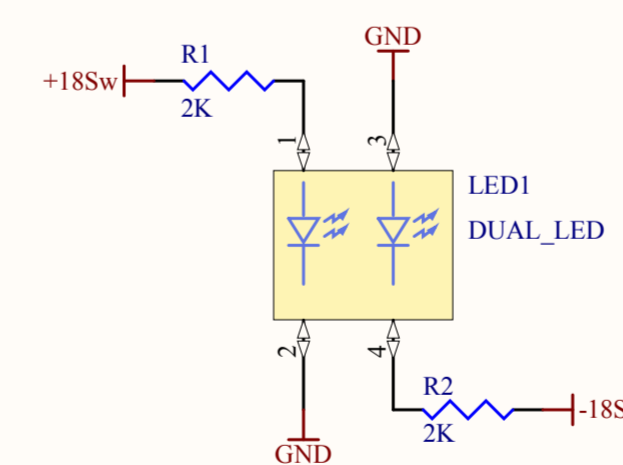
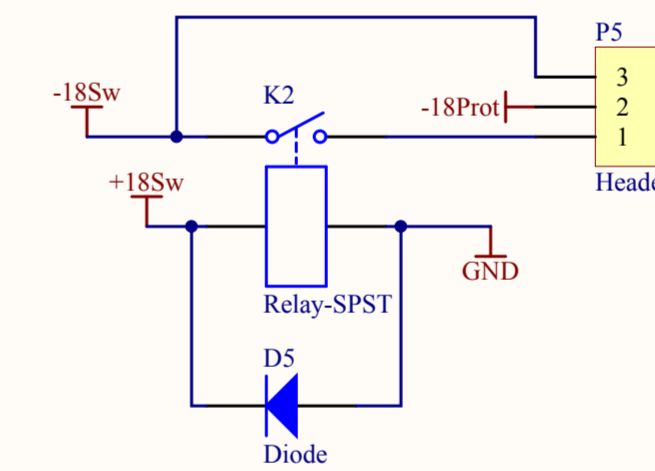
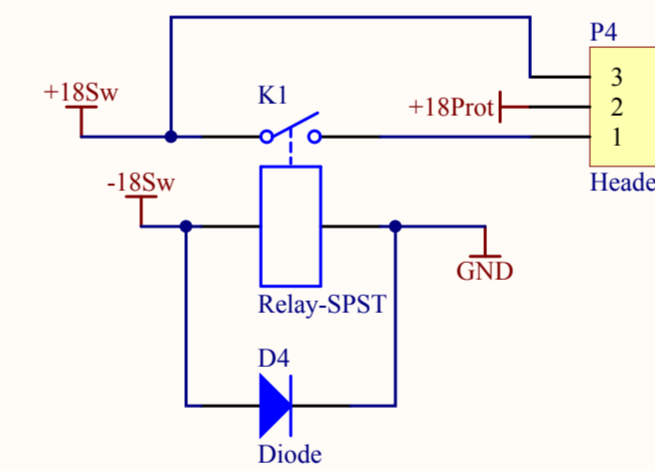
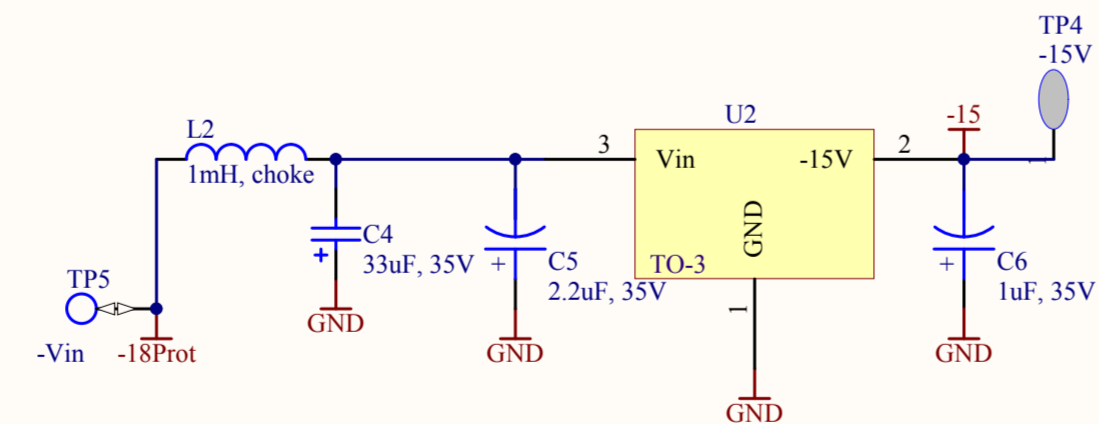
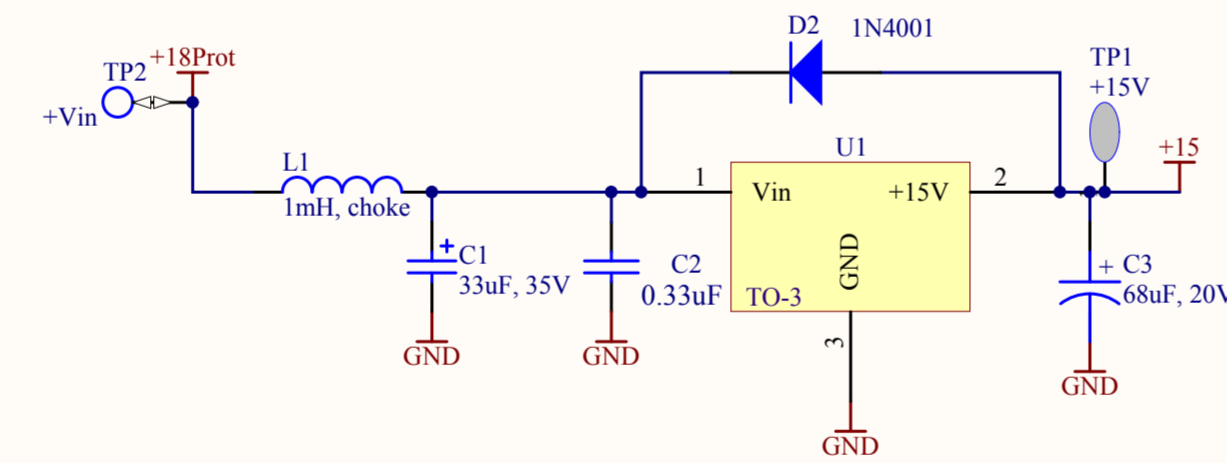
Power Interfaces and Regulation




Power in



To Switch P/N PB257-ND



Title		aLIGO HAM ISI Interface Back Board	
Size:	C	DCC Number:	LIGO-D1000060
Drawn by:	Ben Abbott	Date:	2/10/2010
		Revision:	V1
		Ligo Project California Institute of Technology Massachusetts Institute of Technology 	
File: C:\Ben\Seismic\ISI\New\ISI\TaLIGO HAM Back Board\alIgoHamBackBoard.dwg 2/10/2010 4:08 PM Sheet 1 of 1			

