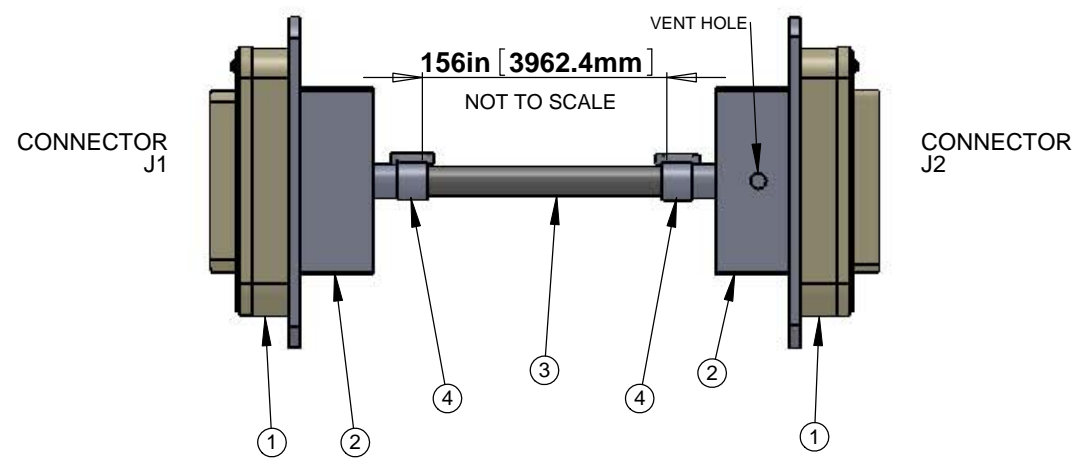


ITEM NO.	PART NUMBER	DESCRIPTION	QTY.	LENGTH
①	CUSTOM DB25 FEMALE	DB25 FEMALE CONNECTOR (J1,J2) FOR UHV (PEEK)	2	
②	CUSTOM BACKSHELL	DB25 CONNECTOR BACKSHELL FOR UHV (STAINLESS)	2	
③	C1	25 COND. (12 TW PAIR + 1 WIRE + SHIELD) CABLE WITH COPPER BRAID (SHIELD) AND PEEK OVERBRAID	1	156in +
④	GLENAIR 600-052	GLENAIR 600-052 STANDARD BRAID CLAMP (BAND - IT)	2	
⑤		#4-40 UNC ALLEN HEAD MACHINE SCREW	2	0.375 in
⑥		#2-56 ALLEN HEAD MAXHINE SCREW	4	0.5 in

- NOTES: ( UNLESS OTHERWISE SPECIFIED )
- MATERIAL:
    - CONNECTOR SHELL - PEEK
    - BACKSHELL - STAINLESS STEEL WITH VENT HOLE.
    - CONTACTS - BERYLLIUM COPPER ALLOW C17300 0.000050 MIN. GOLD OVER NICKEL
    - HARDWARE: CORROSION RESISTANCE STEEL, PASSIVATED
    - PEEK BRAID - PEEK CARBON FIBRE LOADED
  - CABLE 25 COND. 28 AWG, ( 40 STRD 44 AWG ) WITH 2 LAYERS OF KAPTON TAPE 12 TWISTED PAIRS ( 4 TO 5 TWISTS PER INCH ) + 1 WIRE  
 OVERALL 40AWG SILVER PLATED COPPER BRAID 90% COVERAGE  
 OVERALL PEEK BRAID MIN. 50% COVERAGE  
 OVERALL CABLE O.D. WILL BE 0.240 IN.



### V25E CABLE ASSEMBLY CIRCUIT SUMMARY V-DB25 F/S1-156-DB25 F/S1

CABLE NAME	COND.- WIRE ID	TWISTED PAIR	LENGTH *	FROM	TO
V25D	25 COND. CABLE	(12 TOTAL)	156 in.	Conn. J1	Conn. J2
C1	SHIELD (COPPER BRAID)		156 in.	PIN 1, SHIELD & SHELL	PIN 1, SHIELD & SHELL
	W1	SINGLE WIRE	156 in.	PIN 1, SHIELD & SHELL	PIN 1, SHIELD & SHELL
	W2	TP-1	156 in.	PIN 2	PIN 2
	W14		156 in.	PIN 14	PIN 14
	W3	TP-2	156 in.	PIN 3	PIN 3
	W15		156 in.	PIN 15	PIN 15
	W4	TP-3	156 in.	PIN 4	PIN 4
	W16		156 in.	PIN 16	PIN 16
	W5	TP-4	156 in.	PIN 5	PIN 5
	W17		156 in.	PIN 17	PIN 17
	W6	TP-5	156 in.	PIN 6	PIN 6
	W18		156 in.	PIN 18	PIN 18
	W7	TP-6	156 in.	PIN 7	PIN 7
	W19		156 in.	PIN 19	PIN 19
	W8	TP-7	156 in.	PIN 8	PIN 8
	W20		156 in.	PIN 20	PIN 20
	W9	TP-8	156 in.	PIN 9	PIN 9
	W21		156 in.	PIN 21	PIN 21
	W10	TP-9	156 in.	PIN 10	PIN 10
	W22		156 in.	PIN 22	PIN 22
	W11	TP-10	156 in.	PIN 11	PIN 11
	W23		156 in.	PIN 23	PIN 23
	W12	TP-11	156 in.	PIN 12	PIN 12
	W24		156 in.	PIN 24	PIN 24
	W13	TP-12	156 in.	PIN 13	PIN 13
	W25		156 in.	PIN 25	PIN 25

\* The length shown in this list is the length of the cable between the two connectors. Add additional length as necessary for the internal wiring of the connectors and strip length.

STANDARD USE FOR THIS CABLE		
SUBSYSTEM	AIR/VAC	STANDARD USE
ISC	IN-VAC	OMC DCPD

UNLESS OTHERWISE SPECIFIED		DRAWN: E. Brown		DATE: MAR/01/10		LIGO California Institute of Technology Massachusetts Institute of Technology	
DIMENSIONS ARE IN INCHES		CHECKED:		ENG APPR:		MFG APPR:	
TOLERANCES: FRACTIONAL & ANGULAR: MACH ± BEND ± TWO PLACE DECIMAL THREE PLACE DECIMAL		MATERIAL: --		FINISH: --		COMMENTS:	
DWG. NO.	DESCRIPTION	DWG. NO.	DESCRIPTION	NEXT ASSY	USED ON	SUBSYSTEM: ISC	
REFERENCE DRAWINGS				APPLICATION		DO NOT SCALE DRAWING	
SCALE: 1:1		WEIGHT:		SHEET 1 OF 1		REV: LIGO-D1000225-v1	