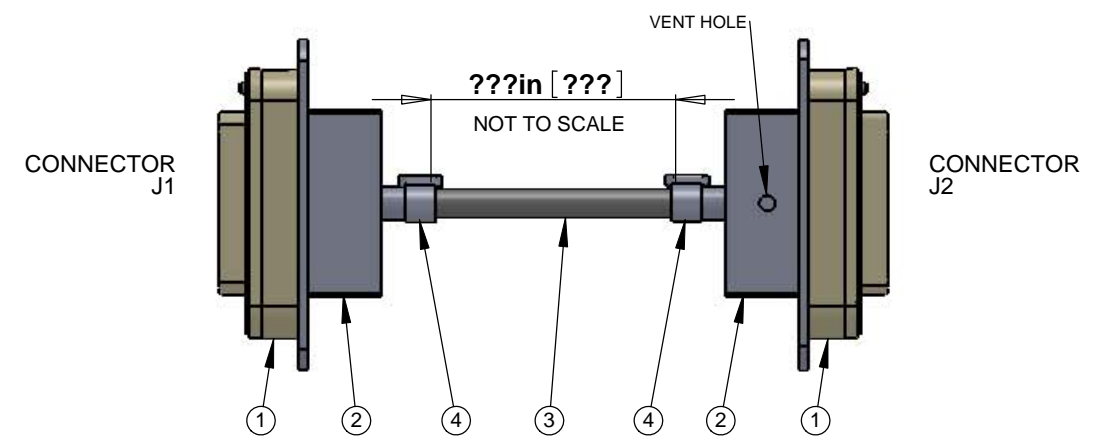


ITEM NO.	PART NUMBER	DESCRIPTION	QTY.	LENGTH
①	CUSTOM DB25 FEMALE	DB25 FEMALE CONNECTOR (J1,J2) FOR UHV (PEEK)	2	
②	CUSTOM BACKSHELL	DB25 CONNECTOR BACKSHELL FOR UHV (STAINLESS)	2	
③	C1	25 COND. (12 TW PAIR + 1 WIRE + SHIELD) CABLE WITH COPPER BRAID (SHIELD) AND PEEK OVERBRAID	1	TBD
④	GLENAIR 600-052	GLENAIR 600-052 STANDARD BRAID CLAMP (BAND - IT)	2	
⑤		#4-40 UNC ALLEN HEAD MACHINE SCREW	2	0.375 in
⑥		#2-56 ALLEN HEAD MAXHINE SCREW	4	0.5 in

- NOTES: (UNLESS OTHERWISE SPECIFIED)
- MATERIAL:
 - CONNECTOR SHELL - PEEK
 - BACKSHELL - STAINLESS STEEL WITH VENT HOLE.
 - CONTACTS - BERYLLIUM COPPER ALLOW C17300 0.000050 MIN. GOLD OVER NICKEL
 - HARDWARE: CORROSION RESISTANCE STEEL, PASSIVATED
 - CABLE 24 COND. 28 AWG, (40 STRD 44 AWG) WITH 2 LAYERS OF KAPTON TAPE 12 TWISTED PAIRS (4 TO 5 TWISTS PER INCH)
 OVERALL 40AWG SILVER PLATED COPPER BRAID 90% COVERAGE
 OVERALL PEEK BRAID MIN. 50% COVERAGE
 OVERALL CABLE O.D. WILL BE 0.240 IN.



V25F CABLE ASSEMBLY CIRCUIT SUMMARY V-DB25 F/1-???-DB25 F/1

CABLE NAME	COND.-WIRE ID	TWISTED PAIR	LENGTH *	FROM	TO
V25D	25 COND. CABLE	(12 TOTAL)	TBD	Conn. J1	Conn. J2
C1	SHIELD (COPPER BRAID)		TBD	PIN 1, SHIELD (N/C SHELL)	PIN 1, SHIELD (N/C SHELL)
	W1	SINGLE WIRE	TBD	N/C	N/C
	W2	TP-1	TBD	PIN 2	PIN 2
	W14		TBD	PIN 14	PIN 14
	W3	TP-2	TBD	PIN 3	PIN 3
	W15		TBD	PIN 15	PIN 15
	W4	TP-3	TBD	PIN 4	PIN 4
	W16		TBD	PIN 16	PIN 16
	W5	TP-4	TBD	PIN 5	PIN 5
	W17		TBD	PIN 17	PIN 17
	W6	TP-5	TBD	PIN 6	PIN 6
	W18		TBD	PIN 18	PIN 18
	W7	TP-6	TBD	PIN 7	PIN 7
	W19		TBD	PIN 19	PIN 19
	W8	TP-7	TBD	PIN 8	PIN 8
	W20		TBD	PIN 20	PIN 20
	W9	TP-8	TBD	PIN 9	PIN 9
	W21		TBD	PIN 21	PIN 21
	W10	TP-9	TBD	PIN 10	PIN 10
	W22		TBD	PIN 22	PIN 22
	W11	TP-10	TBD	PIN 11	PIN 11
	W23		TBD	PIN 23	PIN 23
	W12	TP-11	TBD	PIN 12	PIN 12
	W24		TBD	PIN 24	PIN 24
	W13	TP-12	TBD	PIN 13	PIN 13
W25	TBD		PIN 25	PIN 25	

* The length shown in this list is the length of the cable between the two connectors. Add additional length as necessary for the internal wiring of the connectors and strip length.

STANDARD USE FOR THIS CABLE

SUBSYSTEM	AIR/VAC	STANDARD USE
SEI	IN-VAC	TRILLIUM

UNLESS OTHERWISE SPECIFIED		NAME	DATE	California Institute of Technology Massachusetts Institute of Technology
DIMENSIONS ARE IN INCHES		E. Brown	MAR/3/10	
TOLERANCES		CHECKED		CUSTOM CABLE SPECIFICATION V25F V-DB25 F/1-???-DB25 F/1 C LIGO-D1000226 v1
FRACTIONAL ±		ENG APPR		
ANGULAR: MACH ± BEND ±		MFG APPR		
TWO PLACE DECIMAL ±		S/A		
THREE PLACE DECIMAL ±		COMMENTS:		SUBSYSTEM: SEI
DWG. NO.	DESCRIPTION	DWG. NO.	DESCRIPTION	SCALE: 1:1 WEIGHT SHEET 1 OF 1
REFERENCE DRAWINGS		APPLICATION		DO NOT SCALE DRAWING