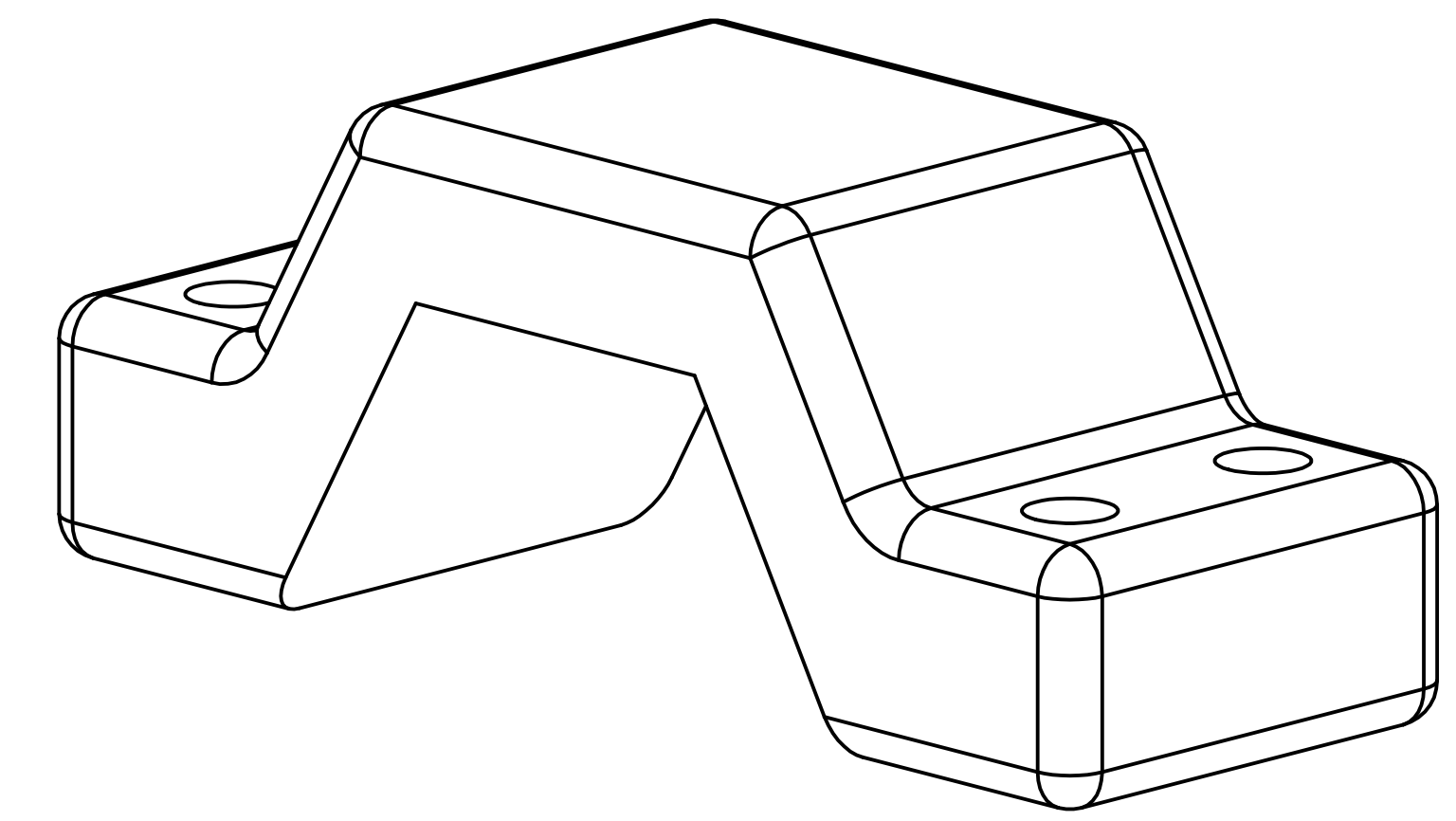
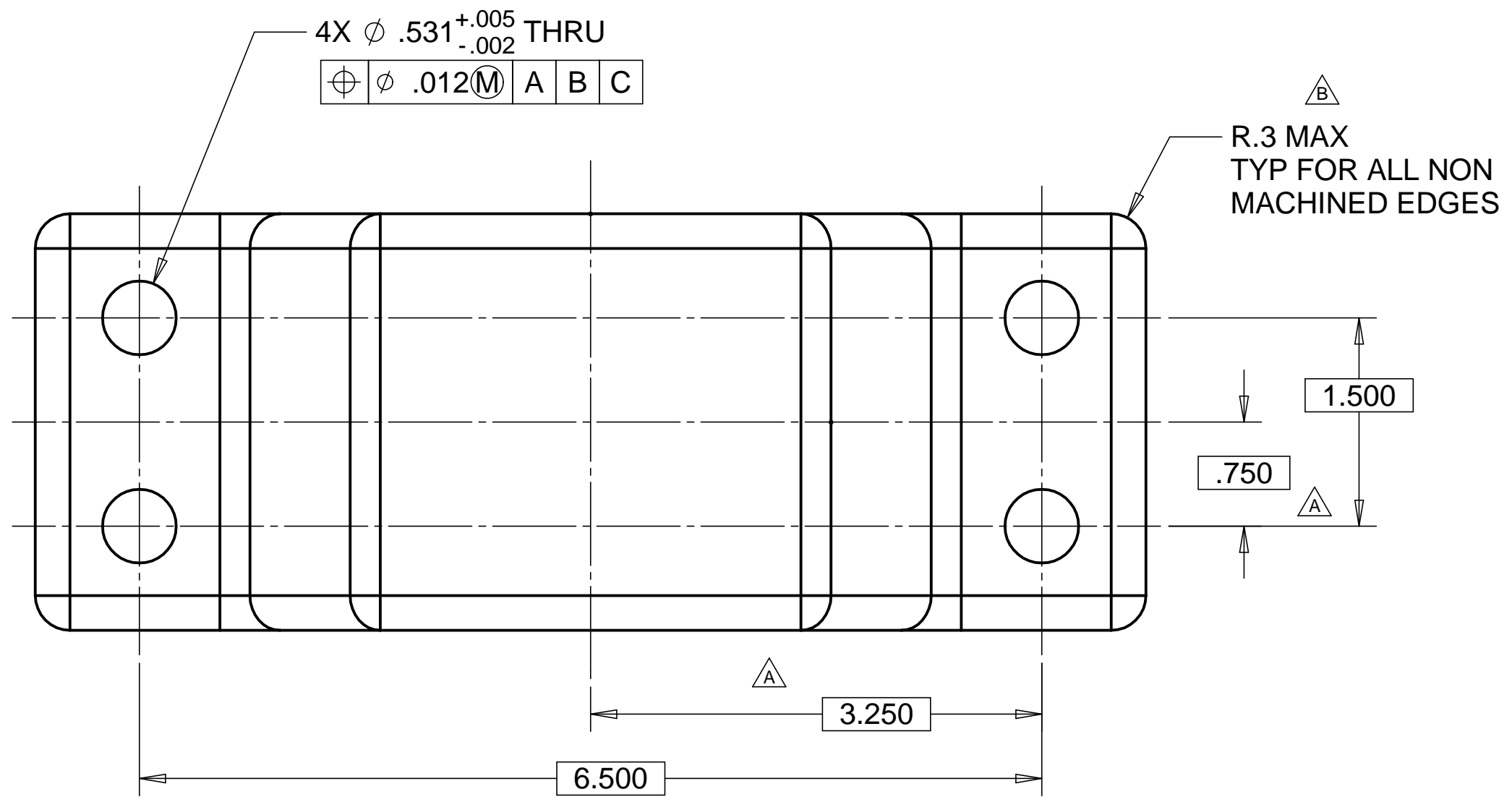


8 7 6 5 4 3 2 1

| REVISIONS | | | |
|-----------|------------------------------------|----------|-------------|
| REV. | DESCRIPTION | DATE | APPROVED |
| A | SEE ECN# D972614-A FOR CHANGE LIST | 11-14-97 | T. THOMPSON |
| B | SEE ECN# D972614-B FOR CHANGE LIST | 12-01-97 | T. THOMPSON |

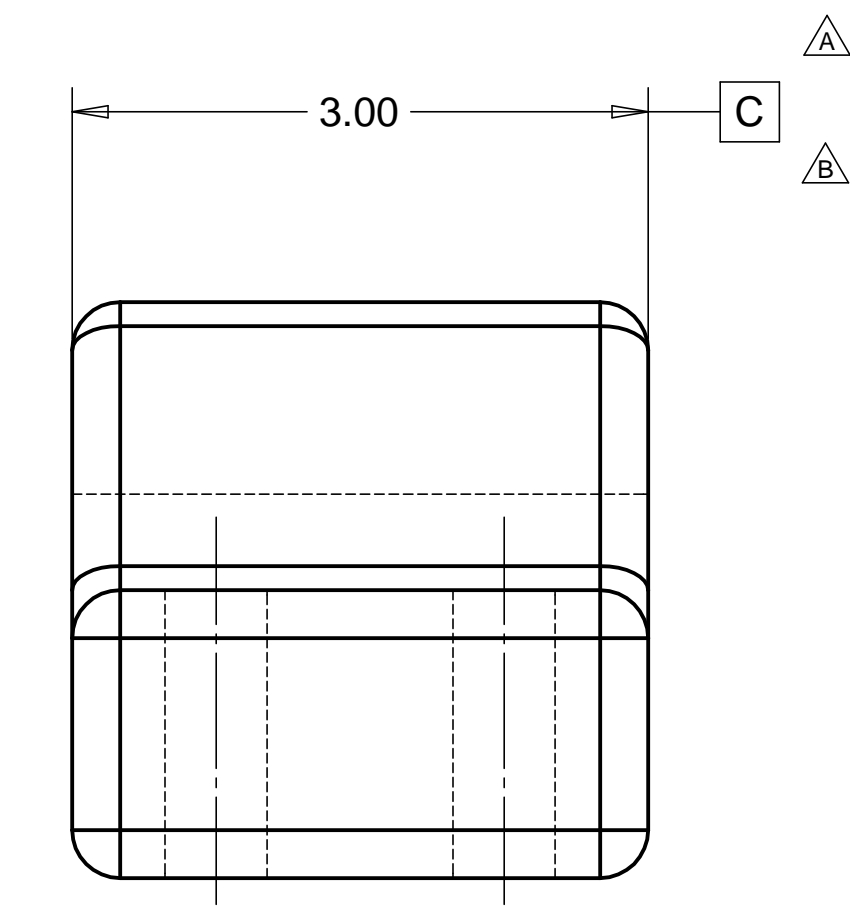
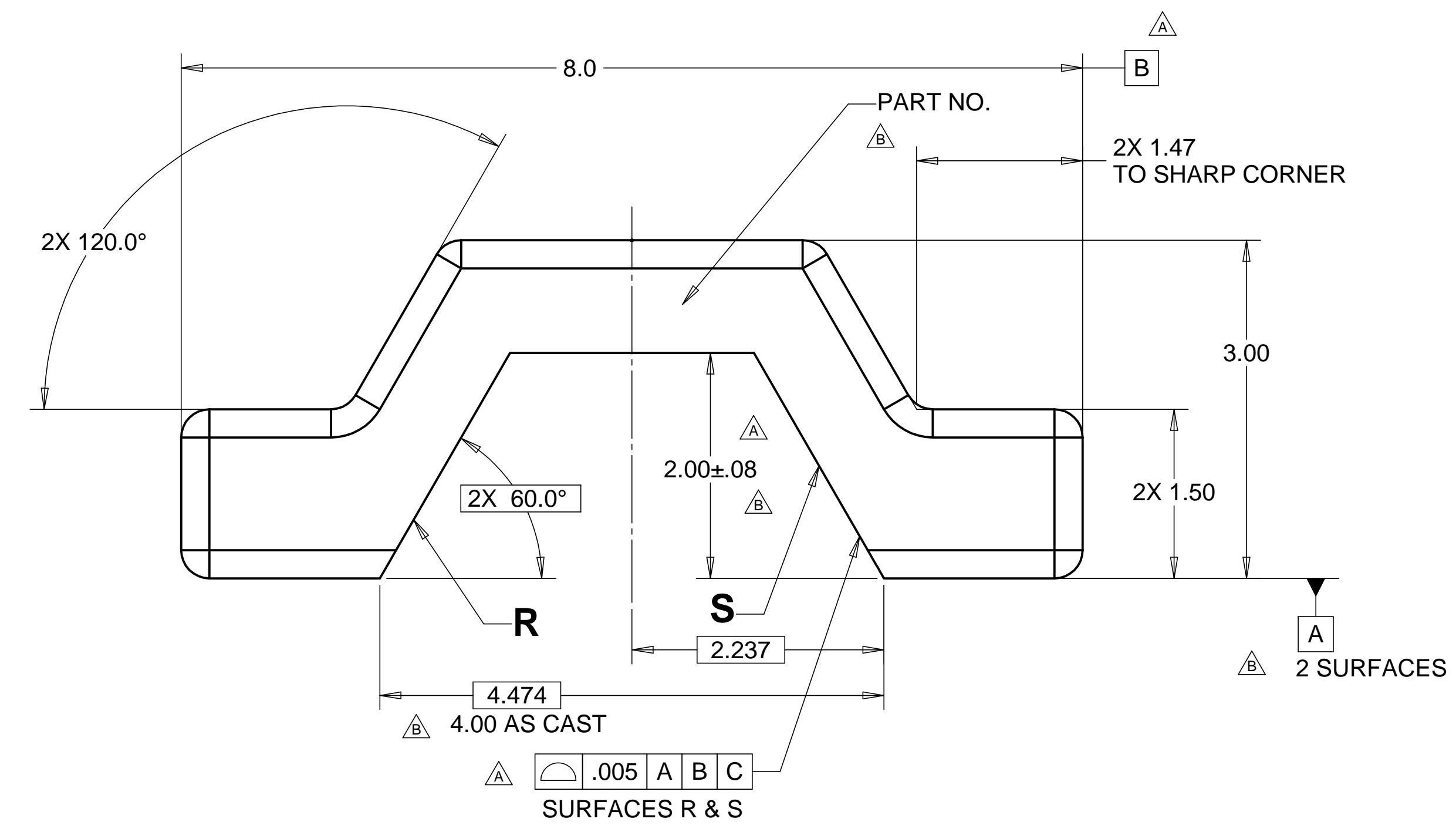
D

D



C

C



B

B

MATL: ALUM. A356-T6
 WEIGHT: 3.2 lbs.

NOTES: UNLESS OTHERWISE SPECIFIED

- ALL DIMENSIONS IN INCHES
- DIMENSIONS AND TOLERANCING PER ASME Y14.5M-1994
- SURFACE TEXTURE PER ANSI/ASME B 46.1-1985
- REMOVE ALL BURRS AND BREAK SHARP EDGES TO A MAXIMUM OF .015
- ALL INSIDE CORNERS TO BE .015 RADIUS MAX
- COUNTERSINK 82 DEGREES ALL TAPPED HOLES TO MAJOR DIAMETER
- COUNTERSINK 82 DEGREES APPROXIMATELY .015 DEEP ALL DRILLED HOLES
- PARTS TO BE THOROUGHLY CLEANED TO REMOVE ALL OIL, GREASE, DIRT AND CHIPS
- PART NUMBER (DRAWING NO. PLUS DASH NO. PLUS SERIAL NO.) TO BE CLEARLY MARKED ON THE PART ITSELF.
- ALLOWABLE DRAFT ANGLE 2° MAX.

11. DIMENSIONS FROM MAX. DRAFT MATERIAL

A

| PARTS LIST | | | |
|---|--|---|---------------------|
| UNLESS OTHERWISE SPECIFIED: DIMENSIONS ARE IN INCHES -TOLERANCES- | | CAD GENERATED DRAWING, DO NOT MANUALLY UPDATE DO NOT SCALE DRAWING | |
| DECIMALS .X = +/- .1 .XX = +/- .06 .XXX = +/- .010 | ANGULAR = +/- .30° SURFACE FINISH = 250 | HYTEC, INC TITLE LIGO HAM SUPPORT TUBE MOUNTING CAP | |
| FINISH | DESIGNED ROGER L. SMITH 5-28-97 | SIGNATURE ROGER L. SMITH | DATE 5-28-97 |
| PART NO. D972614-1 | DRAWN HARRY SALAZAR 7-10-97 | ENGR. T. THOMPSON 7-10-97 | DWG. NO. D972614 |
| | CHECKED T. THOMPSON 7-10-97 | APPROVED T. THOMPSON 7-10-97 | SIZE D |
| | SCALE 1/1 | | SHEET NO. 1 of 1 |
| | | | REVISION B |

8 7 6 5 4 3 2 1