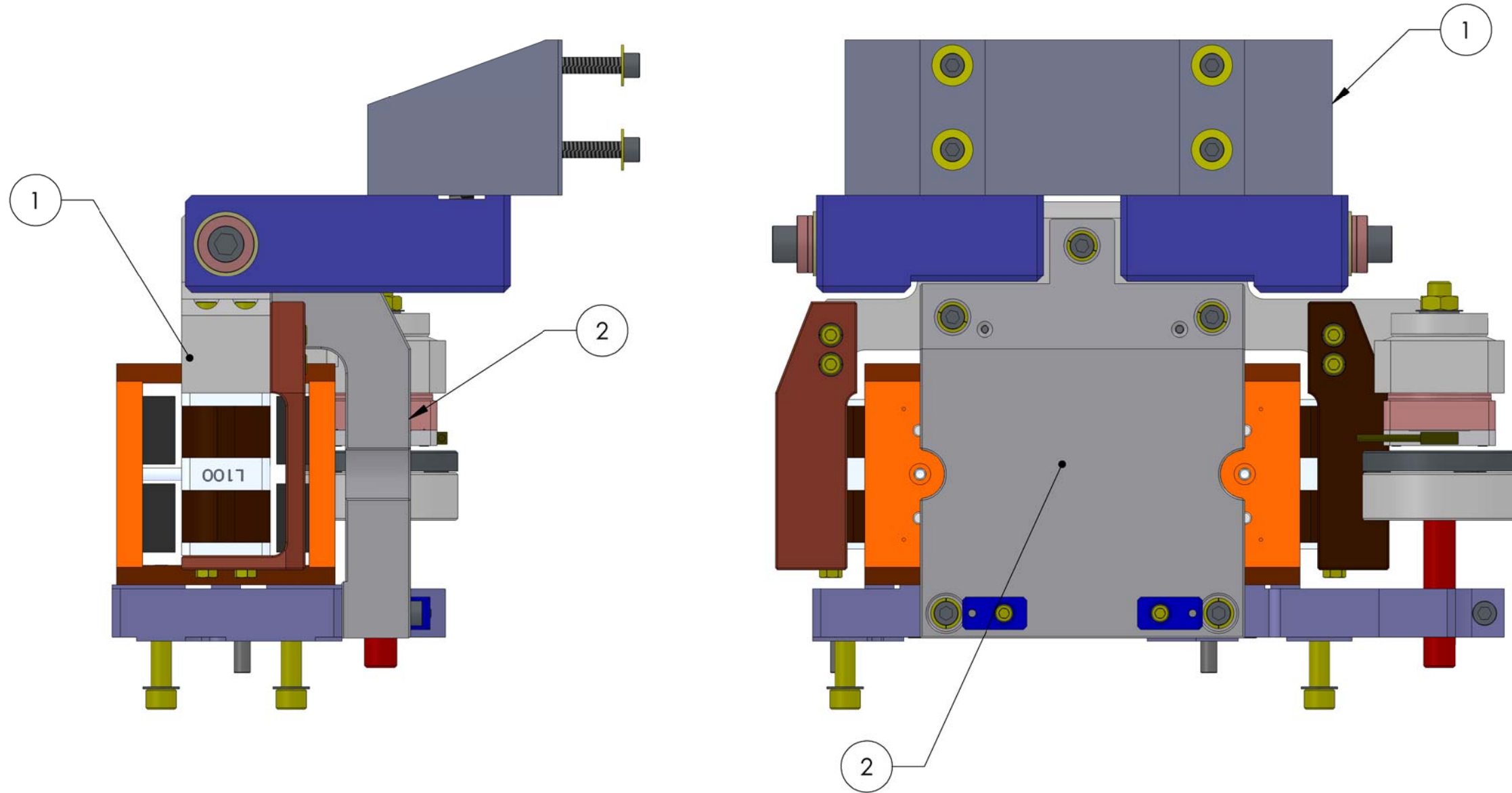


D1000289 Actuator Asm - Stage0-1 - Vertical - with Tooling, PART PDM REV: X-009, DRAWING PDM REV: X-002

NOTES CONTINUED:
 5. VENDOR REFERENCES ARE PROVIDED AS EXAMPLES OF PARTS ALL REQUIRED SPECIFICATIONS, EQUIVALENTS ARE ALWAYS ACCEPTABLE UNLESS OTHERWISE SPECIFIED.
 6. ASSEMBLY PROCEDURE: E0900357 AND E1000096.

REV.	DATE	DCN #	DRAWING TREE #
v1	22 Feb. 2010	E1000049	E1000025



2	D1000290	ACTUATOR TOOLING BRACKET, STAGE 0-1, aLIGO BSC ISI	N/A	1
1	D0901103	LARGE VERTICAL ACTUATOR ASSY, STAGE 0-1, aLIGO BSC ISI	N/A	1
ITEM NO.	PART NUMBER	DESCRIPTION	MATERIAL	With build tooling/QTY.

PARTS LIST

NOTES AND TOLERANCES: (UNLESS OTHERWISE SPECIFIED)				LIGO CALIFORNIA INSTITUTE OF TECHNOLOGY MASSACHUSETTS INSTITUTE OF TECHNOLOGY		PART NAME		VERTICAL ACTUATOR ASSY W/TOOLING, STAGE 0-1, aLIGO BSC ISI		
DIMENSIONS ARE IN INCHES TOLERANCES: .XX ± N/A .XXX ± N/A ANGULAR ± N/A *				1. INTERPRET DRAWING PER ASME Y14.5-1994. 2. REMOVE ALL SHARP EDGES, R.02 MIN. 3. DO NOT SCALE FROM DRAWING. 4. ALL MACHINING FLUIDS MUST BE FULLY SYNTHETIC, FULLY WATER SOLUBLE AND FREE OF SULFUR, SILICONE, AND CHLORINE.		SYSTEM	SUB-SYSTEM	DESIGNER	DATE	SIZE
						ADVANCED LIGO	SEI	S.BARNUM	22 Feb. 2010	B
MATERIAL				NEXT ASSY		CHECKER	DATE	SCALE	PROJECTION	
As Req.				D0901182		F.MATICHARD	22 Feb. 2010	1:2	AS	
FINISH						APPROVAL	DATE	SHEET 1 OF 1		
-						K.MASON	22 Feb. 2010			