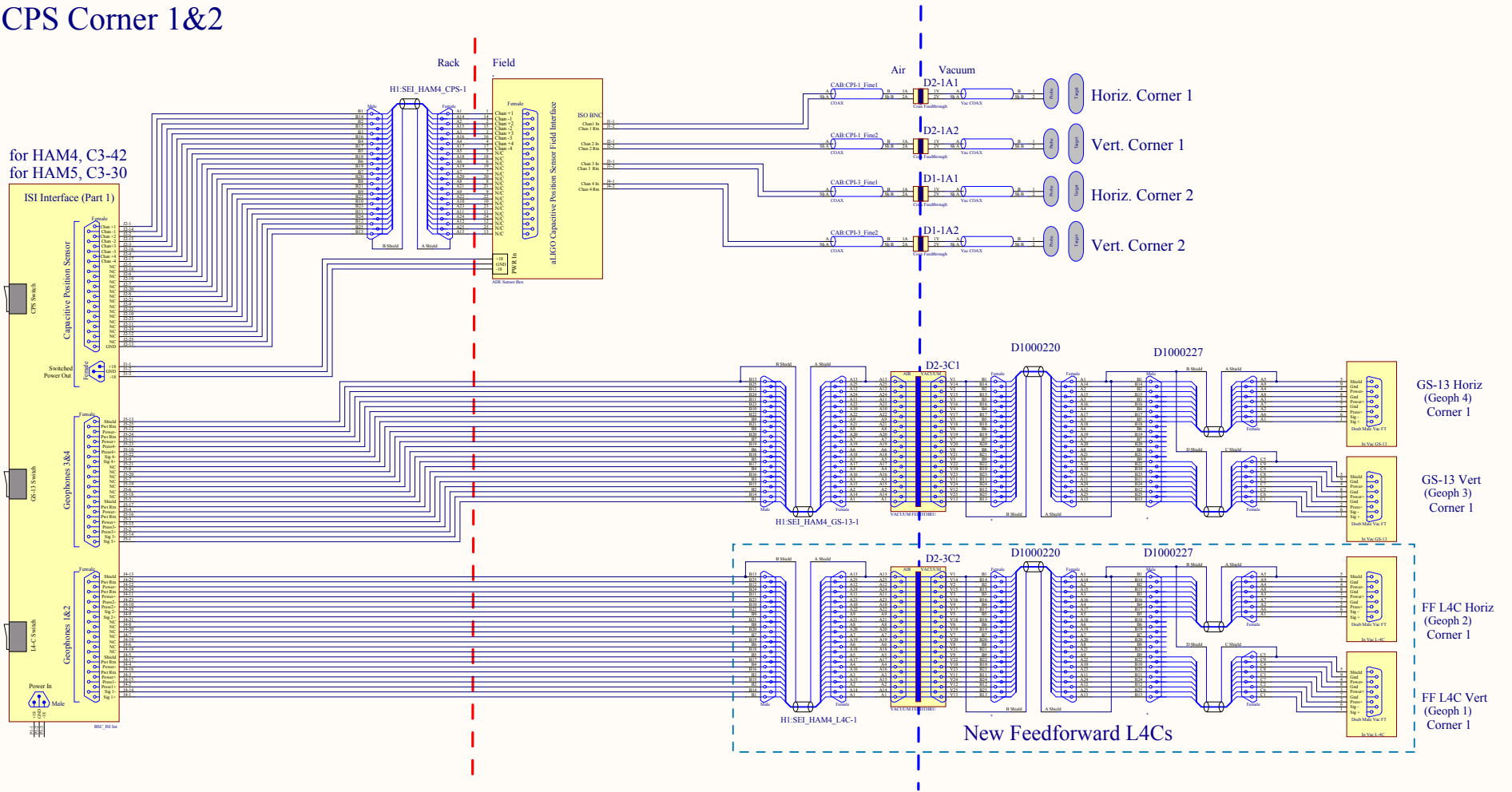


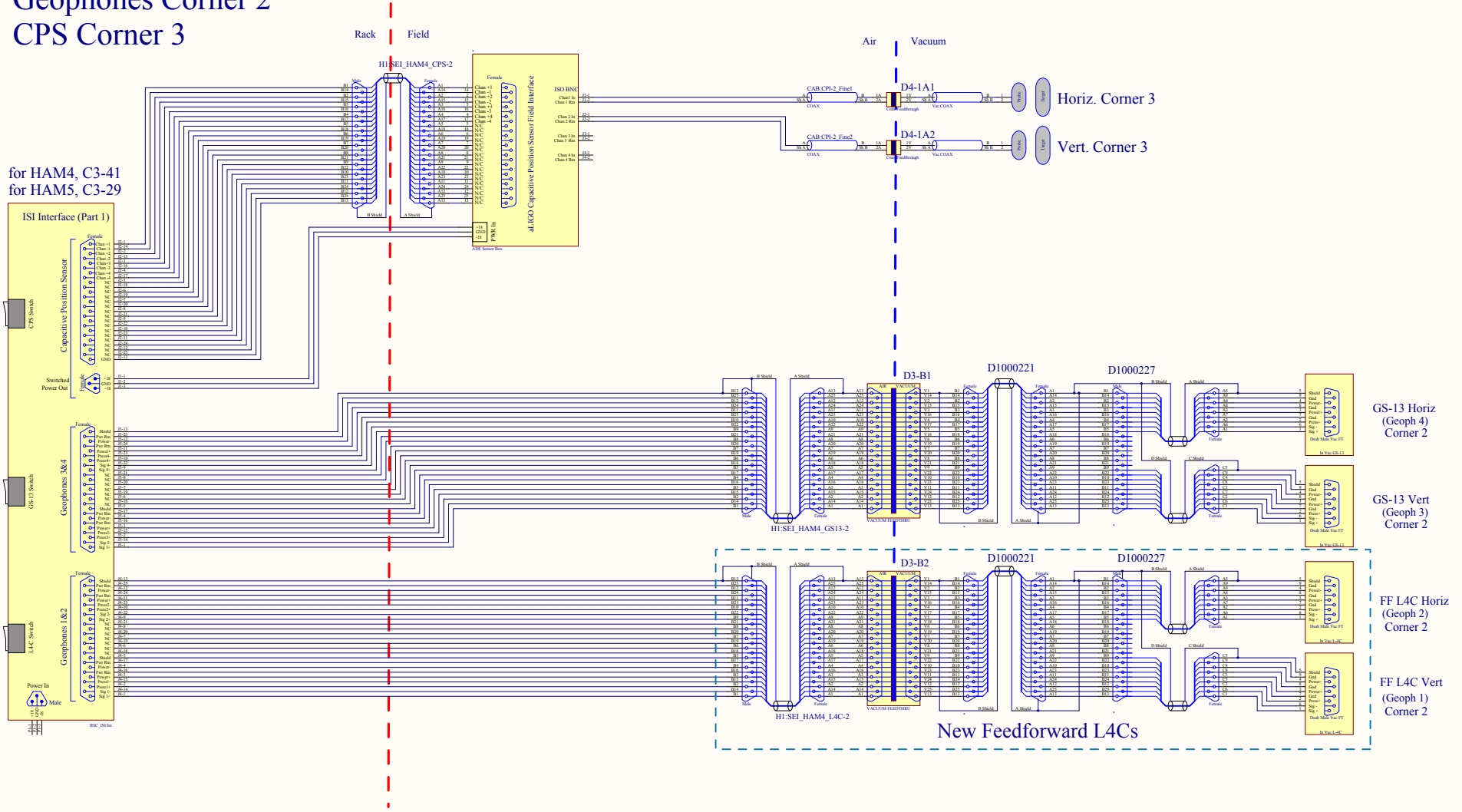
Geophones Corner 1 CPS Corner 1&2

for HAM4, C3-42
for HAM5, C3-30



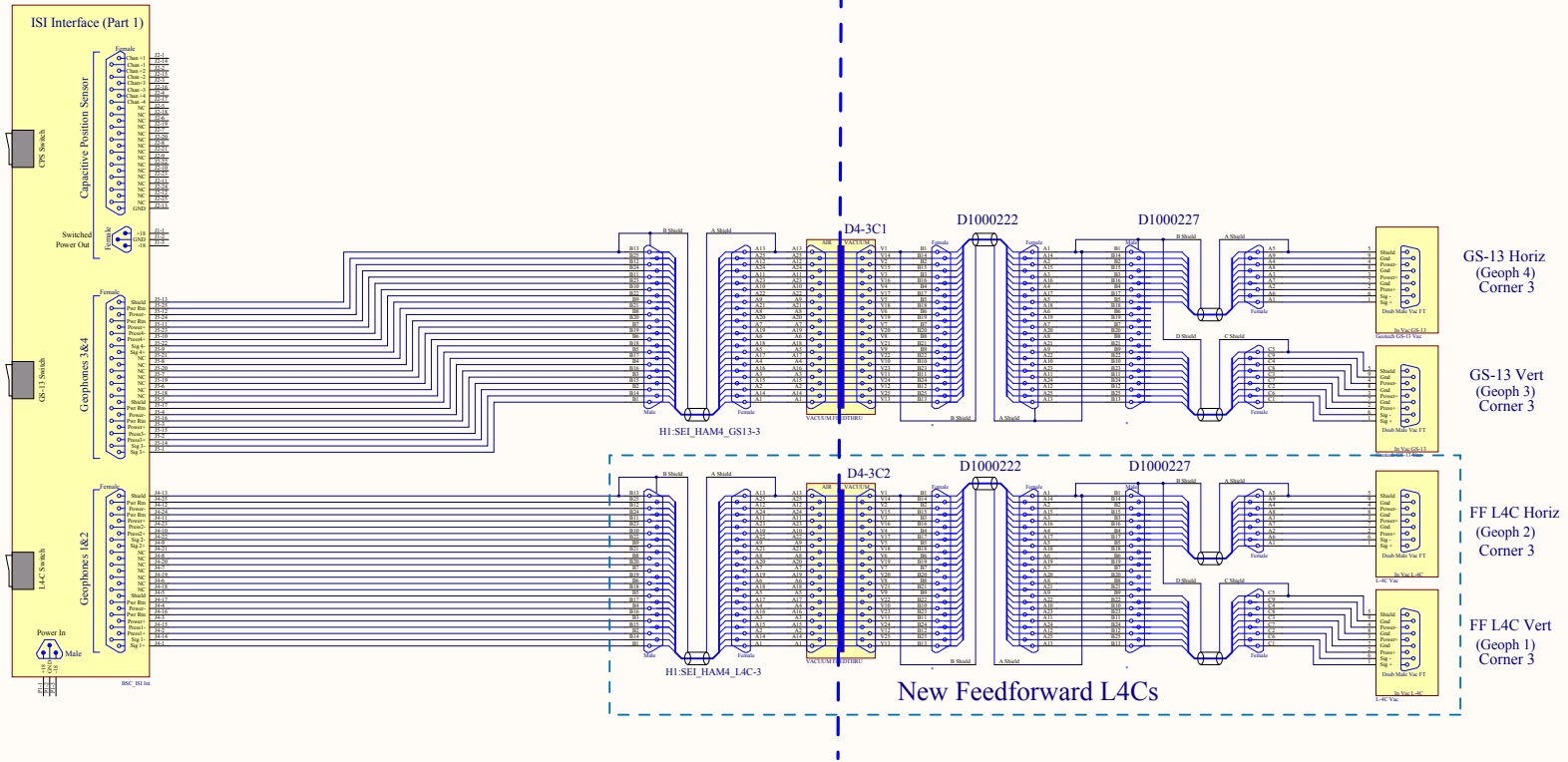
Geophones Corner 2 CPS Corner 3

for HAM4, C3-41
for HAM5, C3-29

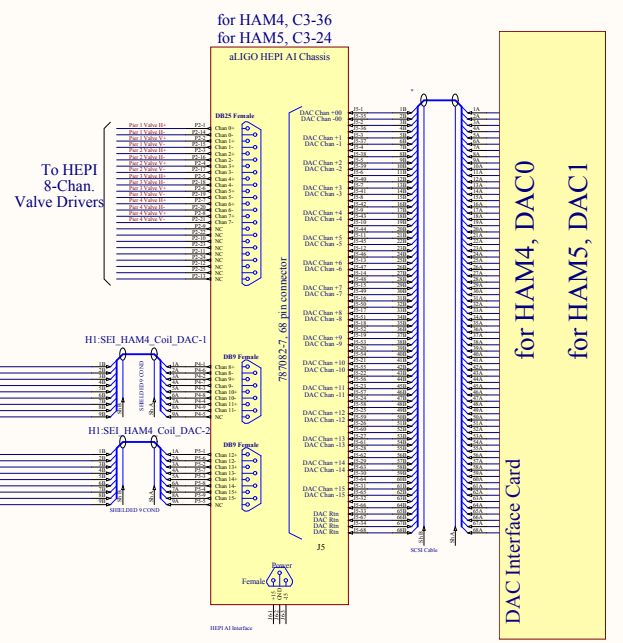
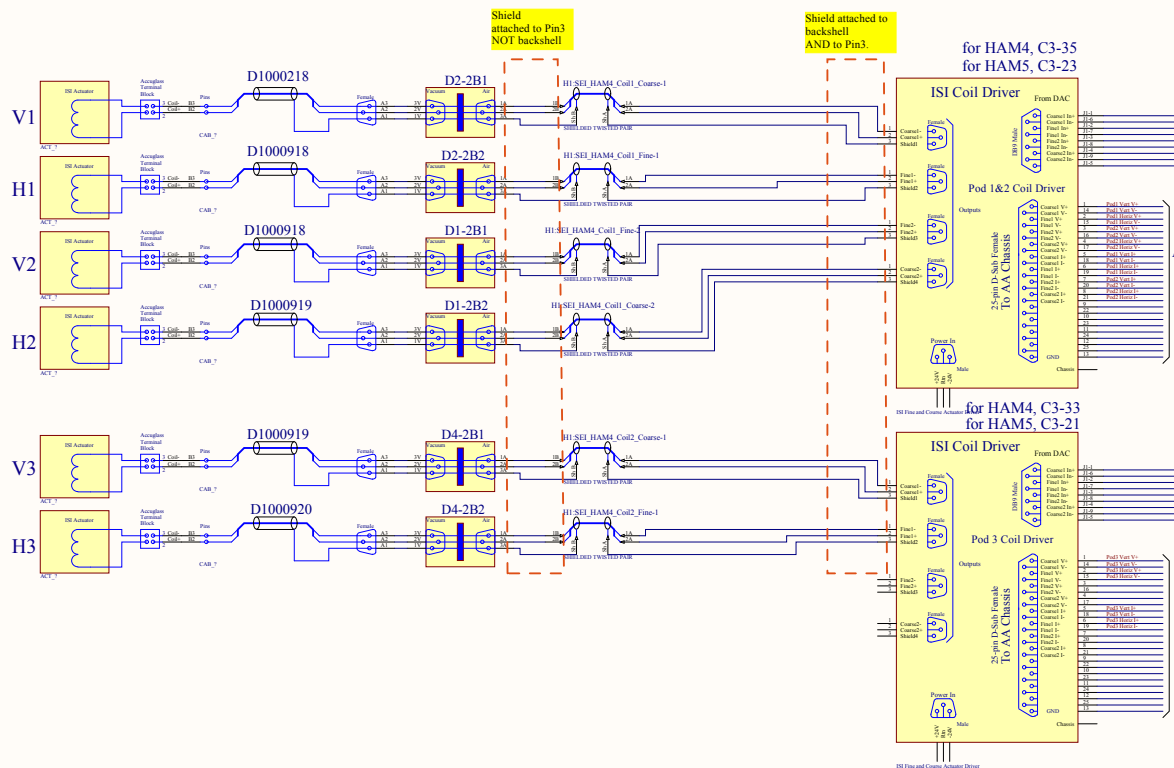


Geophones Corner 3

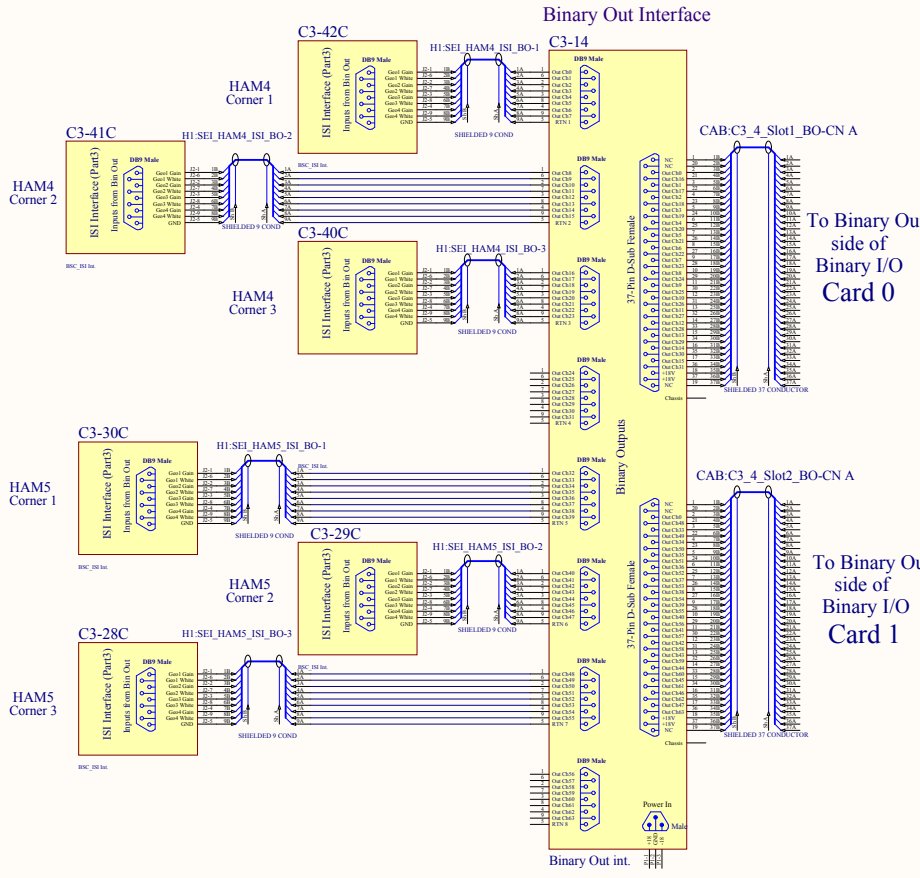
for HAM4, C3-40
for HAM5, C3-28



New Feedforward L4Cs

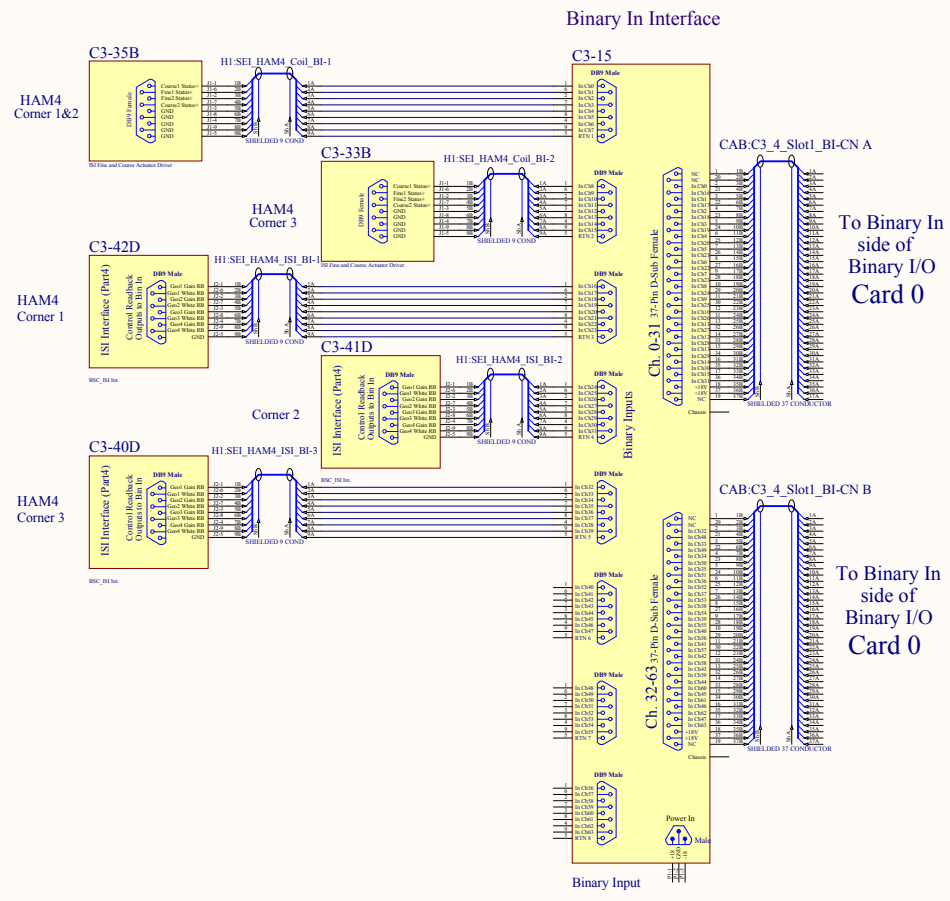


HAM 4		HAM 5	
DAC 0 CH00	Pier1 Valve Horiz HAM4	DAC 1 CH00	Pier1 Valve Horiz HAM5
DAC 0 CH01	Pier1 Valve Vert HAM4	DAC 1 CH01	Pier1 Valve Vert HAM5
DAC 0 CH02	Pier2 Valve Horiz HAM4	DAC 1 CH02	Pier2 Valve Horiz HAM5
DAC 0 CH03	Pier2 Valve Vert HAM4	DAC 1 CH03	Pier2 Valve Vert HAM5
DAC 0 CH04	Pier3 Valve Horiz HAM4	DAC 1 CH04	Pier3 Valve Horiz HAM5
DAC 0 CH05	Pier3 Valve Vert HAM4	DAC 1 CH05	Pier3 Valve Vert HAM5
DAC 0 CH06	Pier4 Valve Horiz HAM4	DAC 1 CH06	Pier4 Valve Horiz HAM5
DAC 0 CH07	Pier4 Valve Vert HAM4	DAC 1 CH07	Pier4 Valve Vert HAM5
DAC 0 CH08	Coil 1 Coil V HAM4	DAC 1 CH08	Coil 1 Coil V HAM5
DAC 0 CH09	Coil 1 Coil H HAM4	DAC 1 CH09	Coil 1 Coil H HAM5
DAC 0 CH10	Coil 2 Coil V HAM4	DAC 1 CH10	Coil 2 Coil V HAM5
DAC 0 CH11	Coil 2 Coil H HAM4	DAC 1 CH11	Coil 2 Coil H HAM5
DAC 0 CH12	Coil 3 Coil V HAM4	DAC 1 CH12	Coil 3 Coil V HAM5
DAC 0 CH13	Coil 3 Coil H HAM4	DAC 1 CH13	Coil 3 Coil H HAM5
DAC 0 CH14	Coil 4 Coil V HAM4	DAC 1 CH14	Coil 4 Coil V HAM5
DAC 0 CH15	Coil 4 Coil H HAM4	DAC 1 CH15	Coil 4 Coil H HAM5



To Binary Out side of Binary I/O Card 0

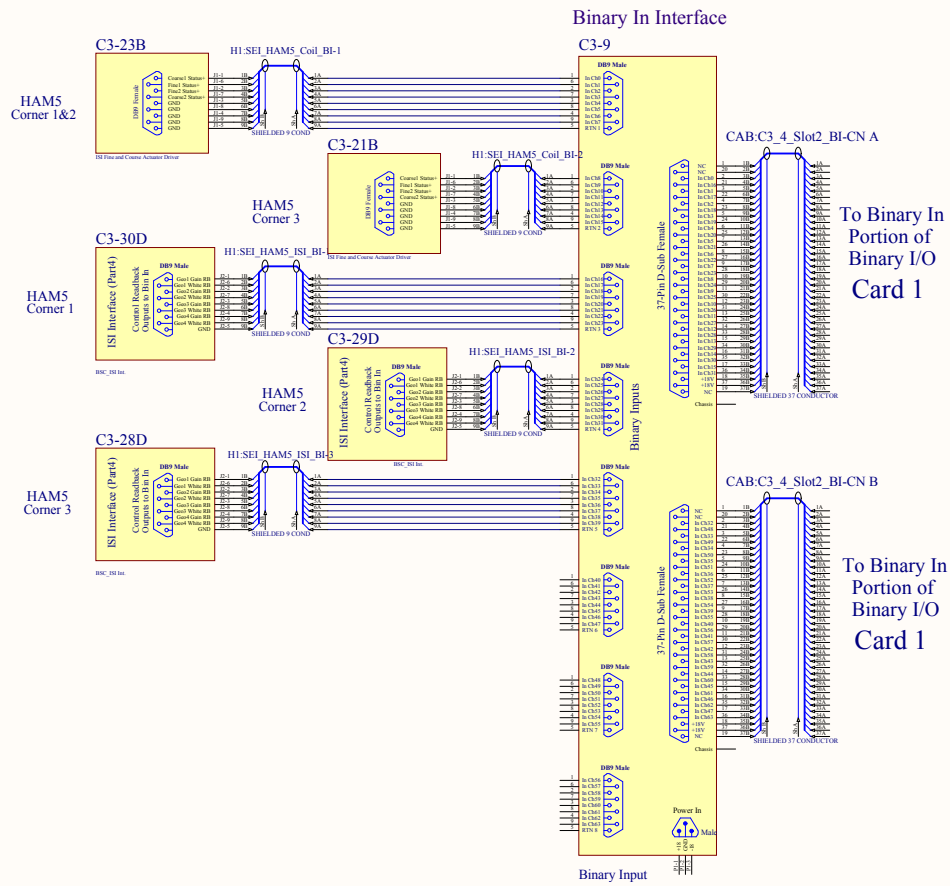
To Binary Out side of Binary I/O Card 1

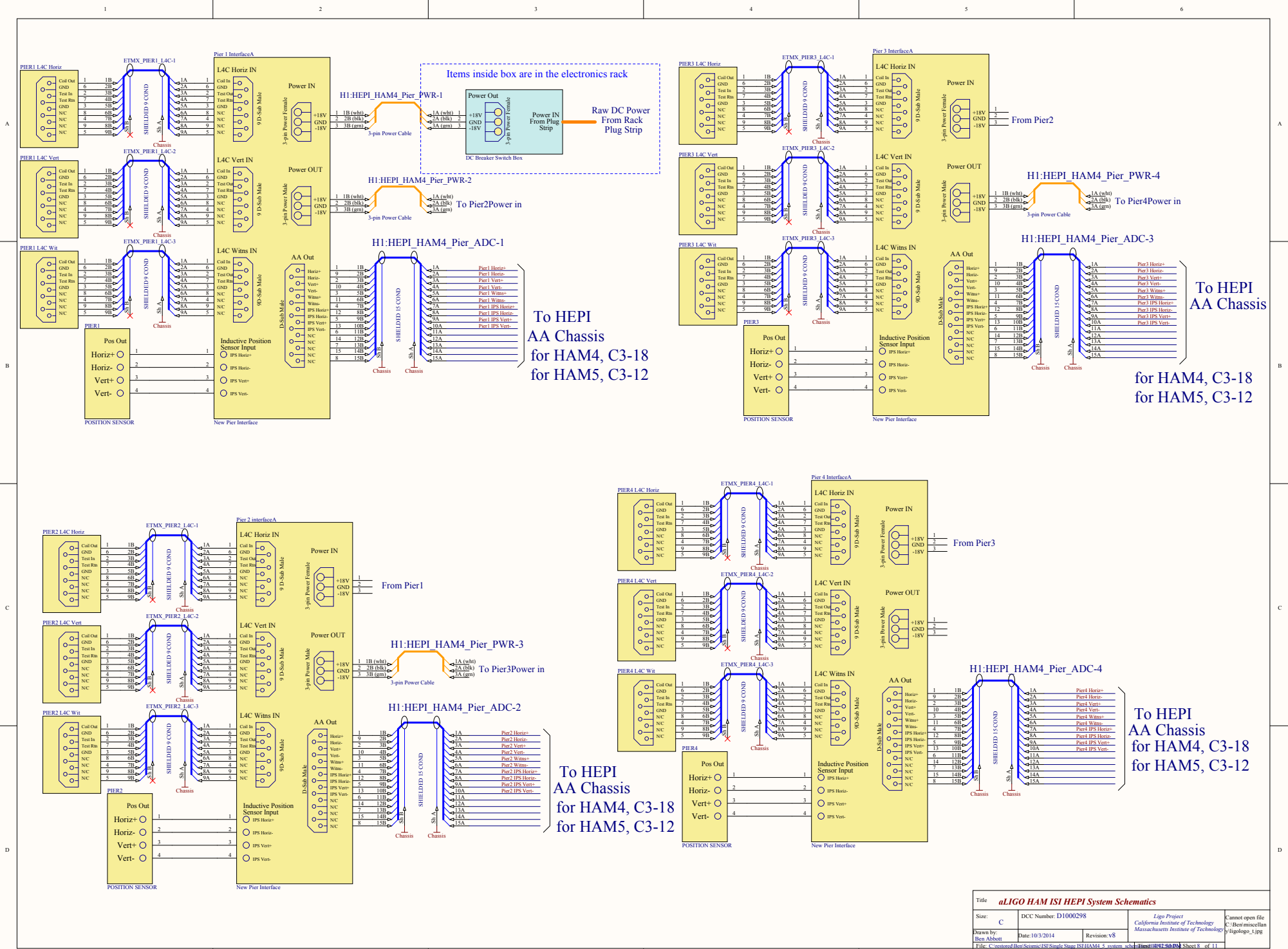


To Binary In side of Binary I/O Card 0

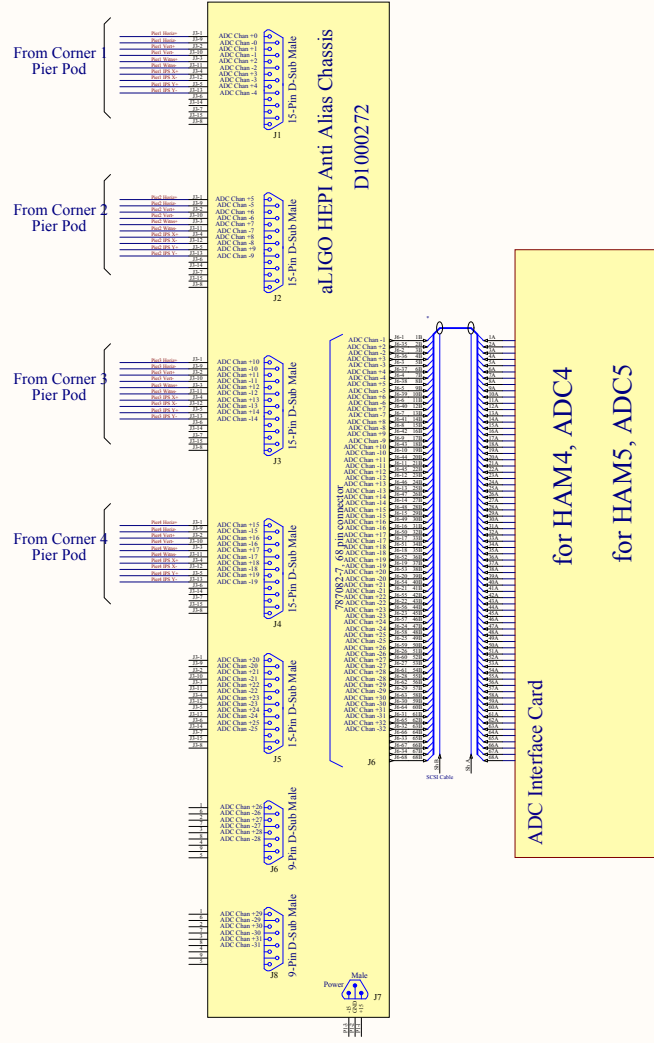
To Binary In side of Binary I/O Card 0

Title: ALIGO HAM ISI System Wiring			
Author:	DCI Number: 01080298	440-Project:	ALIGO Project
Drawn By:		Customer:	Lawrence Livermore National Laboratory
Checked By:		Revision:	1
Approved By:		Revision:	1





for HAM4, C3-18
for HAM5, C3-12



HAM 4

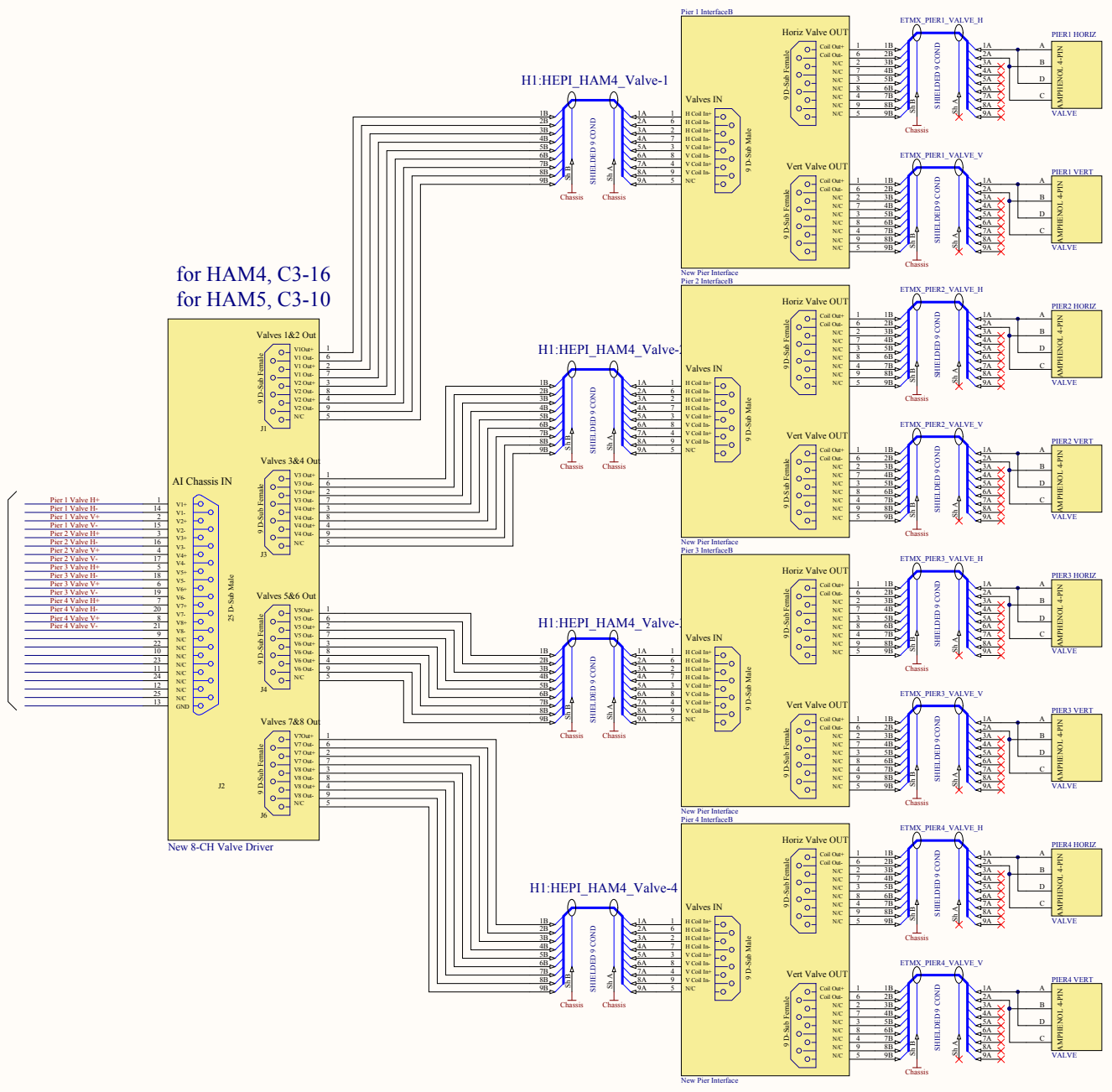
ADC 4 CH00	Pier1 Horiz
ADC 4 CH01	Pier1 Vert
ADC 4 CH02	Pier1 Wit
ADC 4 CH03	Pier1 IPS Horiz
ADC 4 CH04	Pier1 IPS Vert
ADC 4 CH05	Pier2 Horiz
ADC 4 CH06	Pier2 Vert
ADC 4 CH07	Pier2 Wit
ADC 4 CH08	Pier2 IPS Horiz
ADC 4 CH09	Pier2 IPS Vert
ADC 4 CH10	Pier3 Horiz
ADC 4 CH11	Pier3 Vert
ADC 4 CH12	Pier3 Wit
ADC 4 CH13	Pier3 IPS Horiz
ADC 4 CH14	Pier3 IPS Vert
ADC 4 CH15	Pier4 Horiz
ADC 4 CH16	Pier4 Vert
ADC 4 CH17	Pier4 Wit
ADC 4 CH18	Pier4 IPS Horiz
ADC 4 CH19	Pier4 IPS Vert
ADC 4 CH20	
ADC 4 CH21	
ADC 4 CH22	
ADC 4 CH23	
ADC 4 CH24	
ADC 4 CH25	
ADC 4 CH26	
ADC 4 CH27	
ADC 4 CH28	
ADC 4 CH29	
ADC 4 CH30	
ADC 4 CH31	

HAM 5

ADC 5 CH00	Pier1 Horiz
ADC 5 CH01	Pier1 Vert
ADC 5 CH02	Pier1 Wit
ADC 5 CH03	Pier1 IPS Horiz
ADC 5 CH04	Pier1 IPS Vert
ADC 5 CH05	Pier2 Horiz
ADC 5 CH06	Pier2 Vert
ADC 5 CH07	Pier2 Wit
ADC 5 CH08	Pier2 IPS Horiz
ADC 5 CH09	Pier2 IPS Vert
ADC 5 CH10	Pier3 Horiz
ADC 5 CH11	Pier3 Vert
ADC 5 CH12	Pier3 Wit
ADC 5 CH13	Pier3 IPS Horiz
ADC 5 CH14	Pier3 IPS Vert
ADC 5 CH15	Pier4 Horiz
ADC 5 CH16	Pier4 Vert
ADC 5 CH17	Pier4 Wit
ADC 5 CH18	Pier4 IPS Horiz
ADC 5 CH19	Pier4 IPS Vert
ADC 5 CH20	
ADC 5 CH21	
ADC 5 CH22	
ADC 5 CH23	
ADC 5 CH24	
ADC 5 CH25	
ADC 5 CH26	
ADC 5 CH27	
ADC 5 CH28	
ADC 5 CH29	
ADC 5 CH30	
ADC 5 CH31	

for HAM4, C3-16
for HAM5, C3-10

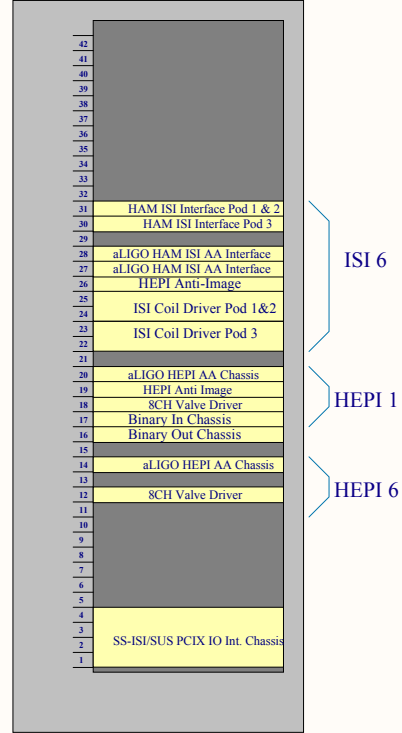
From AI Chassis
for HAM4, C3-36
for HAM5, C3-24
Page 5



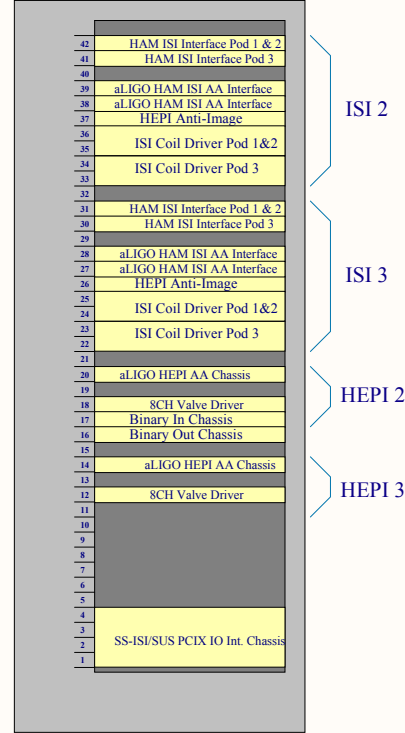
Title		alIGO HAM ISI System Schematics			
Size:	C	DCC Number:	D1000298	Ligo Project	Cannot open file
Drawn by:	Ben Abbott	Date:	10/3/2014	California Institute of Technology Massachusetts Institute of Technology	C:\Ben\miscellan
		Revision:	v8	ligologo.1.jpg	
File: C:\core\rod\Ben\Scienc\ISI\Single Stage ISI\HAM4_5_system_20141003\012153.PW Sheet 10 of 11					

Per IFO	Per aLIGO x 3 IFOs + 1
HAM AA Chassis = 10	32
HEPI AA Chassis = 6	18
HEPI AI Chassis = 6	17
Filter Boards = 76	228
Binary In Chassis = 4	13
Binary Out Chassis = 3	10
BSC ISI Int = 6	21
HAM ISI Int. = 6	20
8Ch. Valve = 6	19
Coil drv. Chassis = 10	32

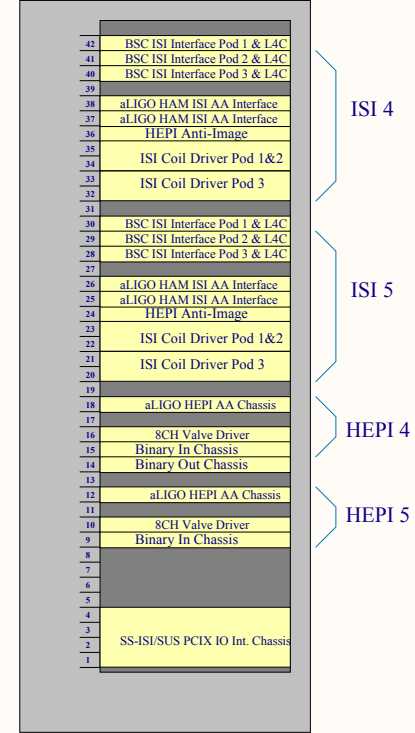
HAMs 1&6 L1-SEI-C1



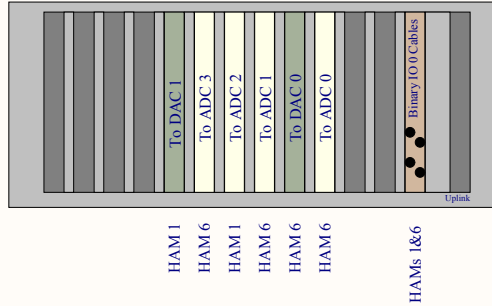
HAMs 2&3 L1-SEI-C2



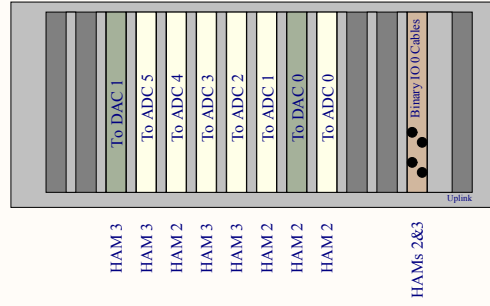
HAMs 4&5 L1-SEI-C3



HAMs 1&6 IO Chassis Backplane



HAMs 2&3 IO Chassis Backplane



HAMs 4&5 IO Chassis Backplane

