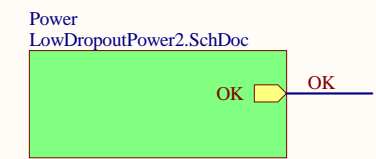
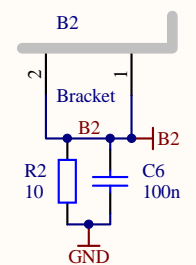
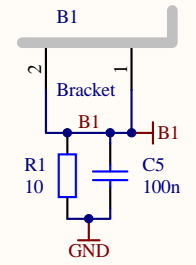


- H1 #4 screw, 3/8"
- H2 #4 screw, 3/8"
- McMaster-Carr 90272A108
- H3 #4 lock washer
- H4 #4 lock washer
- McMaster-Carr 91113A005
- H5 #4 nut
- H6 #4 nut
- McMaster-Carr 90480A005

- H7 #4 screw, 3/8"
- H8 #4 screw, 3/8"
- McMaster-Carr 91099A165
- H9 #4 lock washer
- H10 #4 lock washer
- H11 #4 nut
- H12 #4 nut
- H13 Bottom bracket
- LIGO D0901853-v1

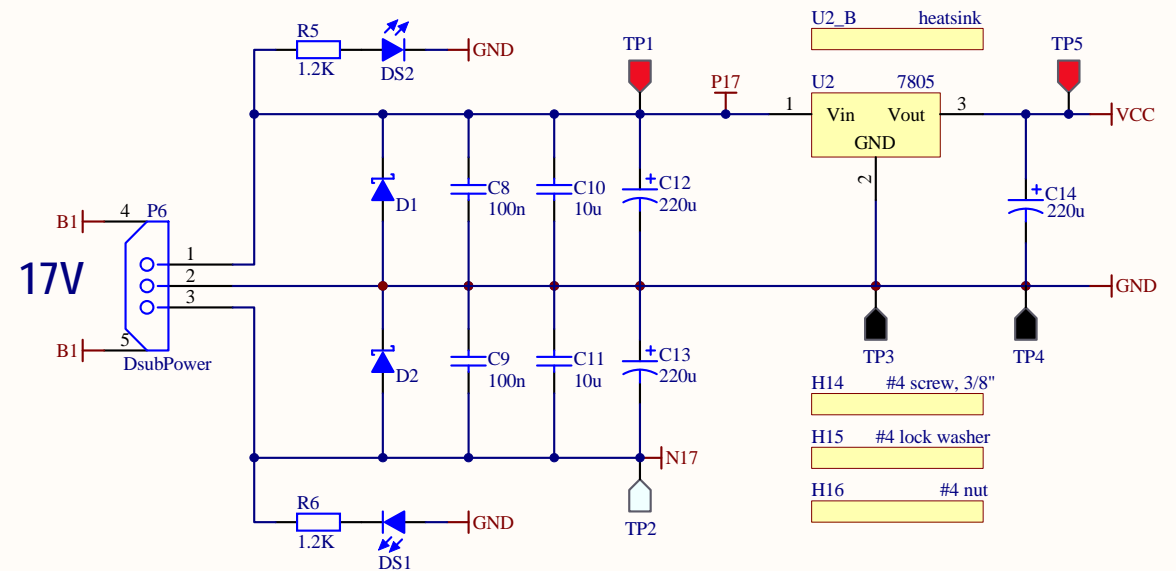
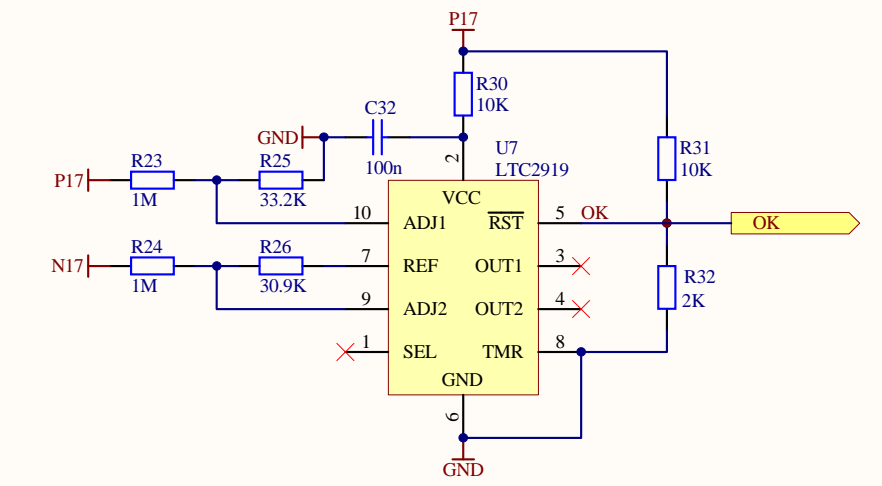
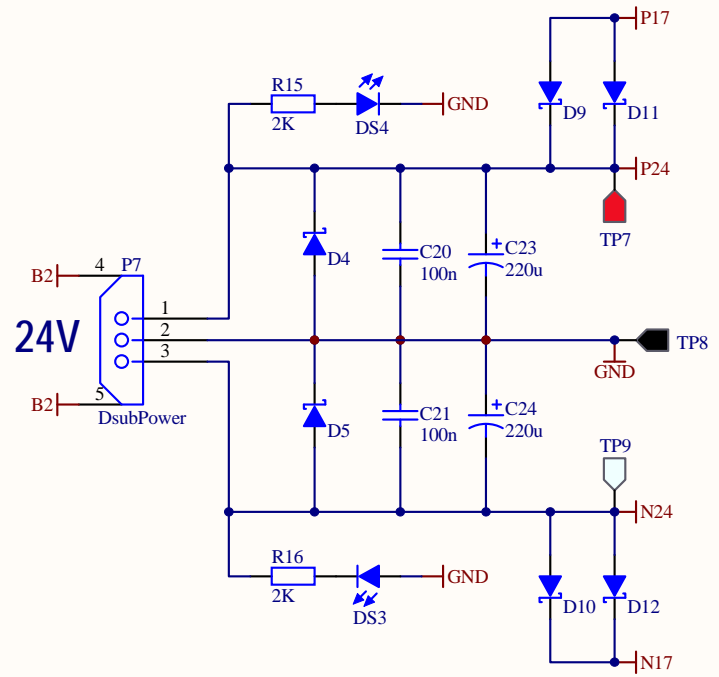


Title		
Low Dropout Power Module		
Size	Number	Revision
B	D1000324	A
Date:	2/16/2010	Sheet 1 of 2
File:	C:\Users\...\LowDropoutPower1.SchDoc	Drawn By: Daniel Sigg

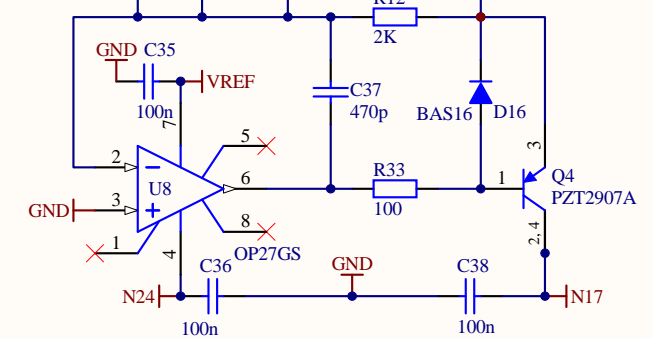
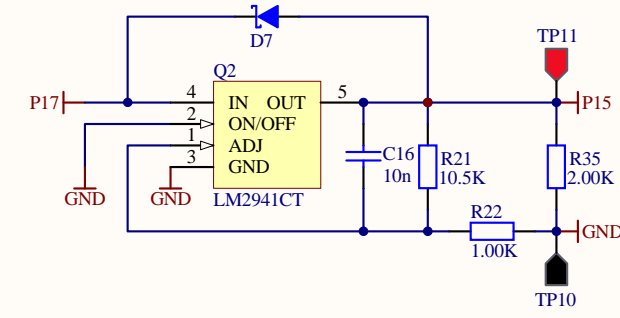
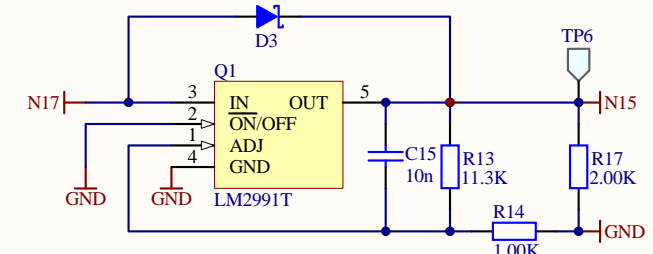
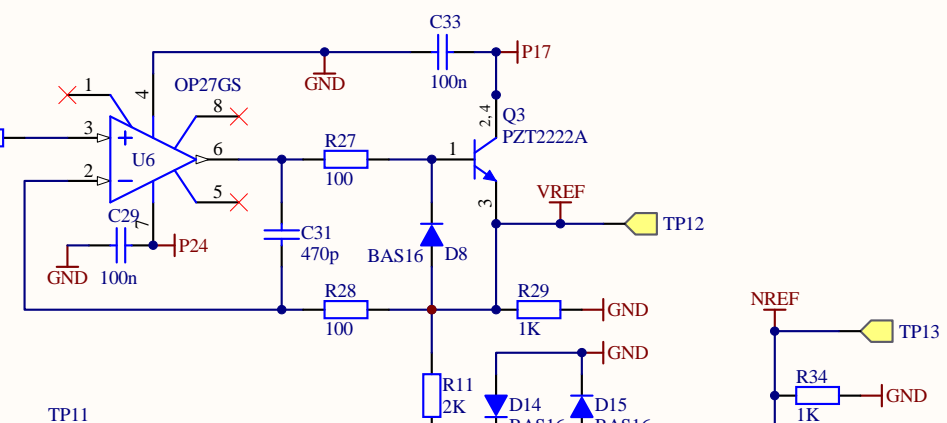
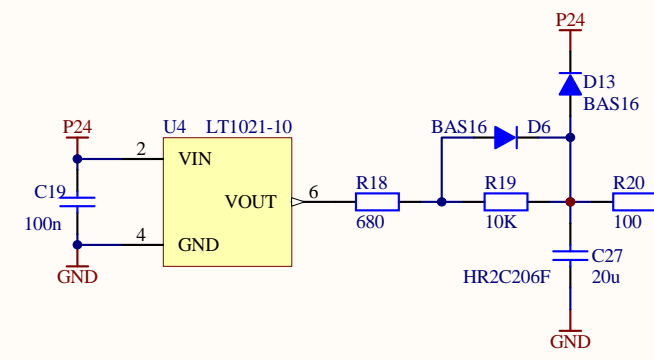
Undervoltage monitors:
OK low indicates a supply fault.

Positive: $V_{Trip} = (R3/R7 + 1) / 2$
Negative: $V_{Trip} = (1 - R4/R8) / 2$

P24: $V_{Trip} = +22.1V$
N24: $V_{Trip} = -22.1V$
P17: $V_{Trip} = +15.6V$
N17: $V_{Trip} = -15.7V$

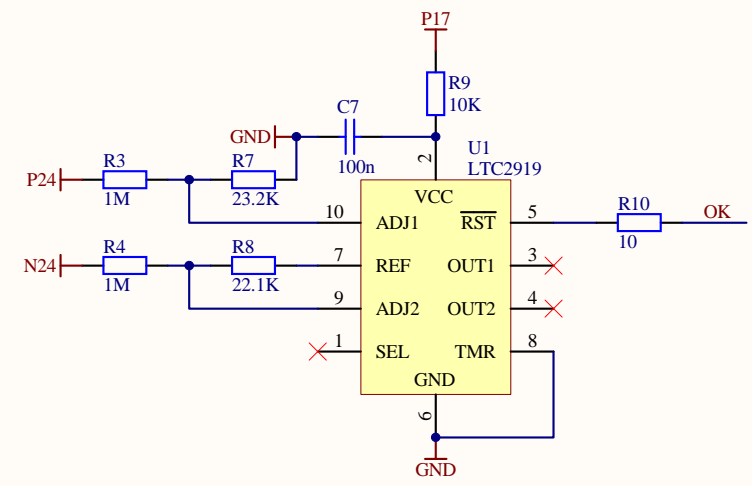


- H14 #4 screw, 3/8"
- H15 #4 lock washer
- H16 #4 nut



- H17 #4 screw, flat, 1/2"
- H18 #4 lock washer
- H19 #4 nut
- H20 insulator
- H21 insulating shoulder washer

- H22 #4 screw, flat, 1/2"
- H23 #4 lock washer
- H24 #4 nut
- H25 insulator
- H26 insulating shoulder washer



Title Low Dropout Power Module		
Size B	Number D1000324	Revision A
Date: 2/16/2010	Sheet 2 of 2	
File: C:\Users\...\LowDropoutPower2.SchDoc	Drawn By: Daniel Sigg	