

Subject: Re: ISC sled height HAM3 (W/L)

From: Calum Torrie <ctorrie@ligo.caltech.edu>

Date: 8/16/2012 2:18 PM

To: sbarnum@ligo.mit.edu

CC: Peter Fritschel <pf@ligo.mit.edu>, Eduardo Sanchez <esanchez@ligo.caltech.edu>

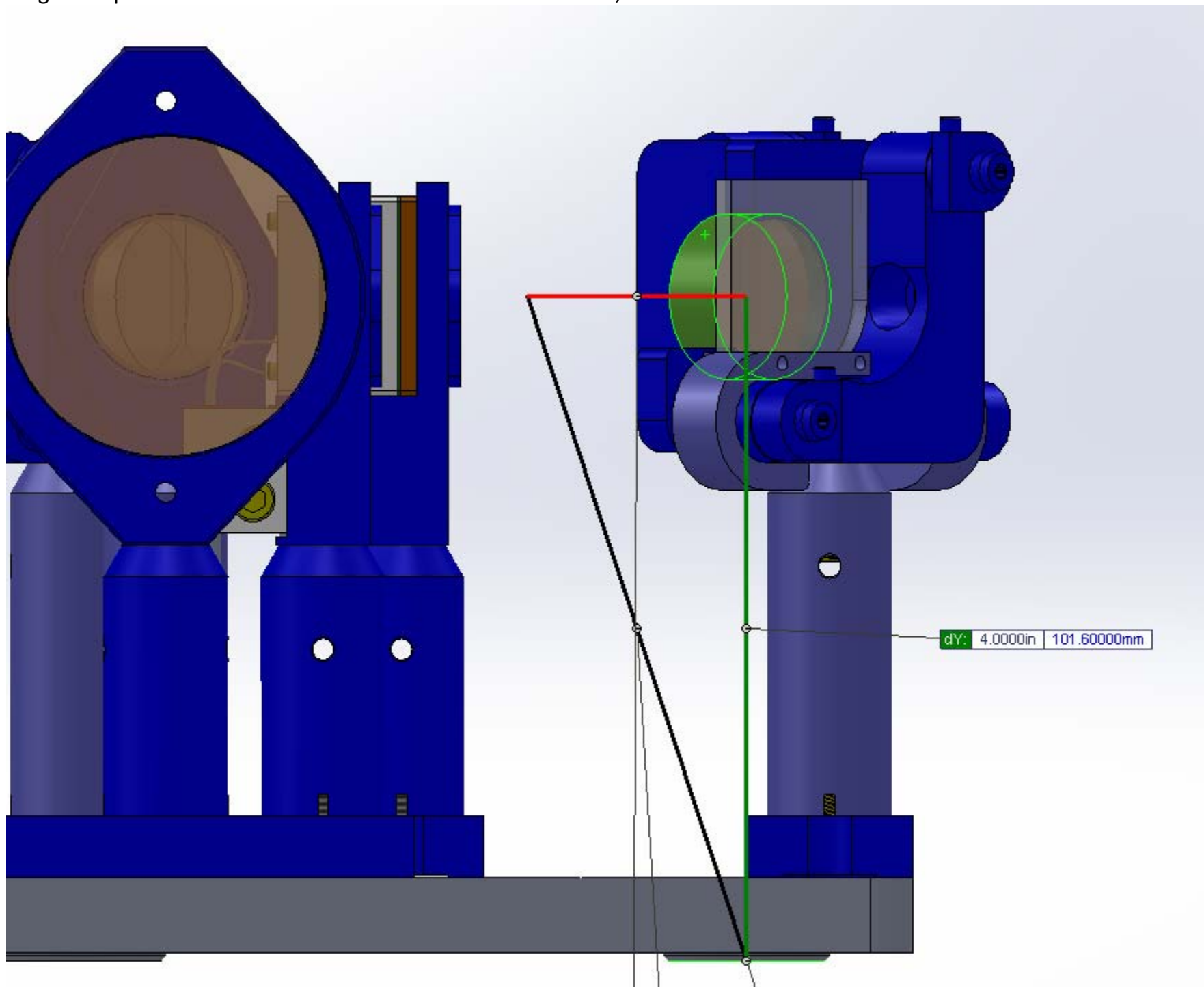
Thank you sir. For now can you post this to DCC at D1000339 with the note below too?

cheers, Calum

On 8/16/2012 10:17 AM, Sam Barnum wrote:

First of all I hate eDrawings... measuring is not the same in eDrawings as it is in SW. But it appears as if the Mount Post for the 1" optics in the the eDrawings is longer than the actual SW model.

Height of optic centers should be 4.0" from the feet of the sled, as it is in the SW model.



Sam Barnum

On 8/16/2012 9:33 AM, Calum Torrie wrote:

Hi Sam (and Peter)

Can you check my number on the height of the ISC sled for both WHAM3 and LAHM3. I believe the height is 4.104" from the ISI table to the center of the optic as per the e-assembly? The e-assembly I uses is LIGO-D1000339:<<https://dcc.ligo.org/cgi-bin/private/DocDB/ShowDocument?docid=9329>> ISC HAM3 Assembly.

Sam could add height dimension to the pdf at this link?

Cheers, Calum

--
Calum I. Torrie
LIGO Project
California Institute of Technology

MC 100-36, Pasadena, CA, 91125
626 395 4629 (office)
626 394 8116 (cell)
Skype - calumiaintorrie