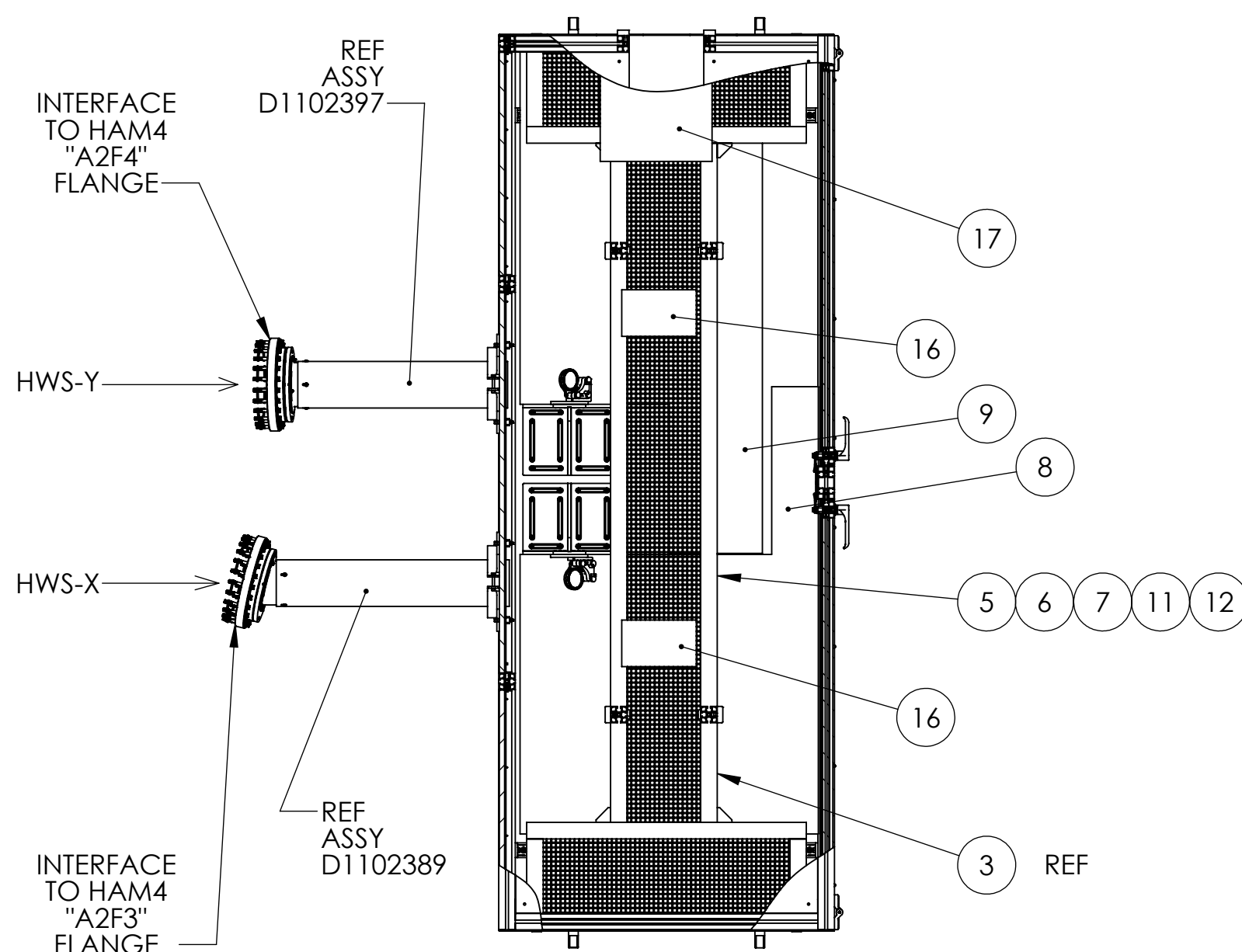


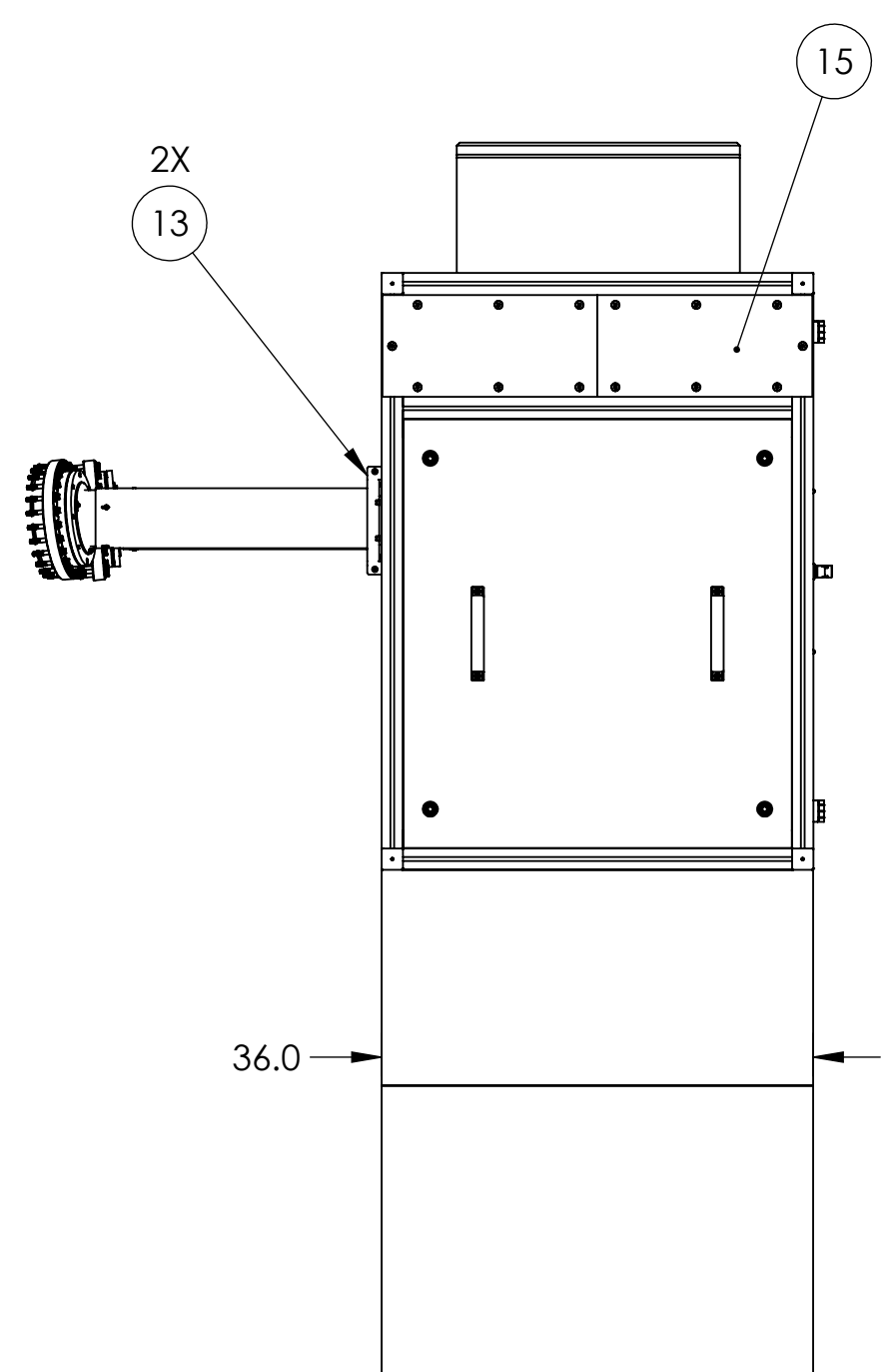
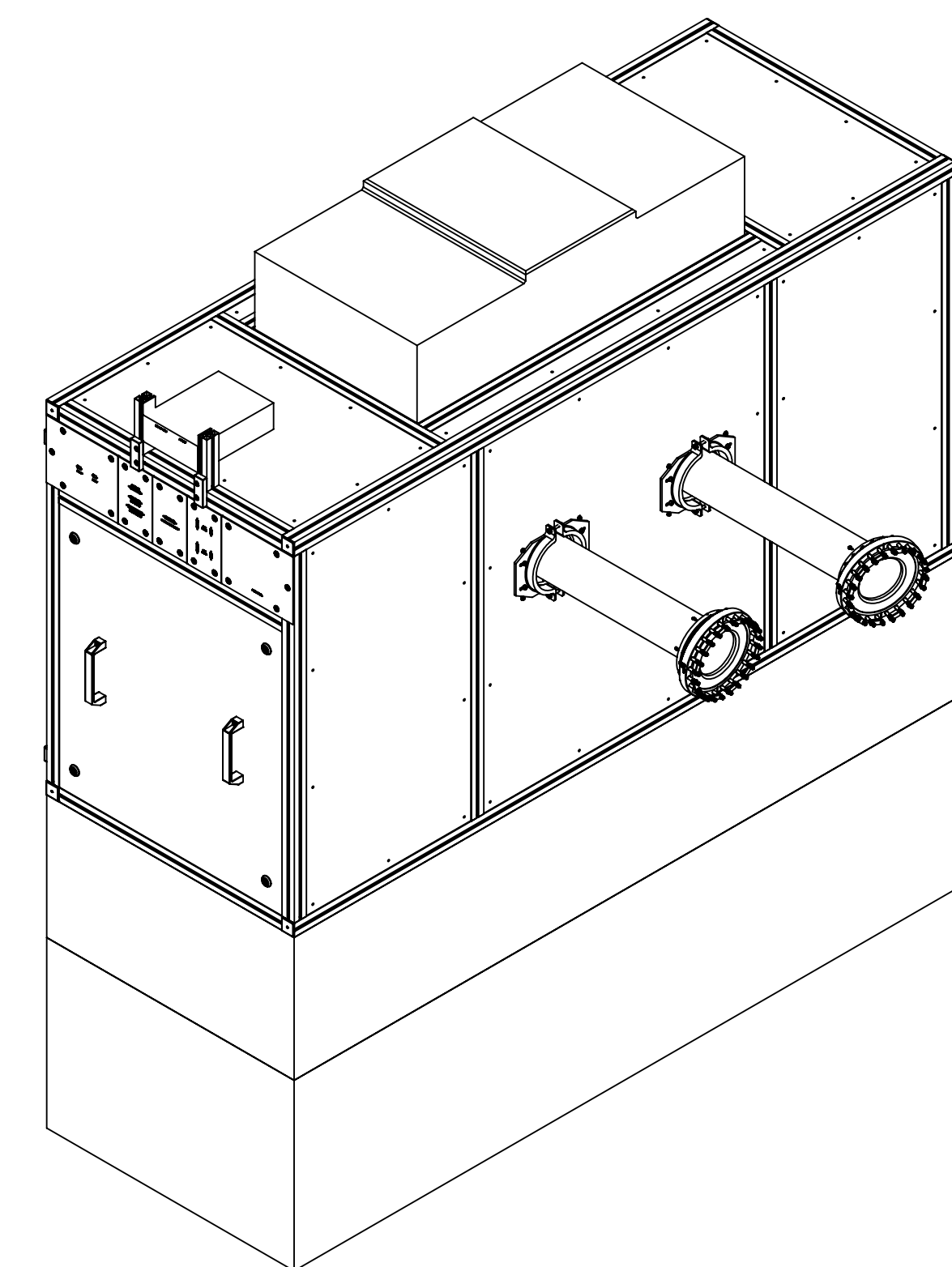
REV.	DATE	DCN #	DRAWING TREE #
v1	06-JAN-2014	E1400004-x0	E1400005-v1

ITEM NO.	PART NUMBER	DESCRIPTION	MATERIAL	Default/REQ
18	D1101509	PICOMOTOR DRIVER CHASSIS	MULTI	1
17	D1200934	HARTMANN CORNER STATION BREAKOUT CHASSIS	MULTI	1
16	D1101738	PICOMOTOR BREAKOUT BOX	MULTI	2
15	D1300455	HWS TABLE ENCLOSURE -Y SIDE PATCH PANEL ASSY	N/A	1
14	D1300456	ALIGO TCS HWS TABLE ENCLOSURE (+Y) SIDE PATCH PANEL ASSY	N/A	1
13	D1300197	HWS BEAM TUBE ENCLOSURE CLAMP ASSEMBLY	N/A	2
12	LBFA-Ix	LUXBAR INTERCONNECT JUMPER	N/A	3
11	LBFA-DT	LUXBAR MINI TOUCH DIMMER	MULTI	1
10	D1300198	ALIGO TCS HWSX-HWSY PERISCOPE ASSEMBLY	Al 6061	2
9	D1300302	ALIGO TCS HWS-Y OPTO-MECH TABLE LAYOUT ASSEMBLY	N/A	1
8	D1300300	ALIGO TCS HWS-X OPTO-MECH TABLE LAYOUT ASSEMBLY	N/A	1
7	24VDC-PS	LUXBAR 24 VDC ENCLOSED POWER SUPPLY	MULTI	1
6	7566K25	CABLE TIE, MCMASTER CARR	NYLON	4
5	LBFA-NW24	LBFA LUXBAR SERIES 24VDC LINEAR LIGHT FIXTURE	N/A	3
4	MAC 10	HEPA FAN-LITER UNIT	N/A	1
3	D1102412	ALIGO TCS HWS HAM4 TABLE ENCLOSURE	MULTI	1
2	RS4000-38-18	OPTICS TABLE, HI_L1 HAM4	N/A	1
1	RL-2000-423.5TC	TCS HWS OPTICS TABLE SUPPORTS, HI_L1 HAM4	N/A	1

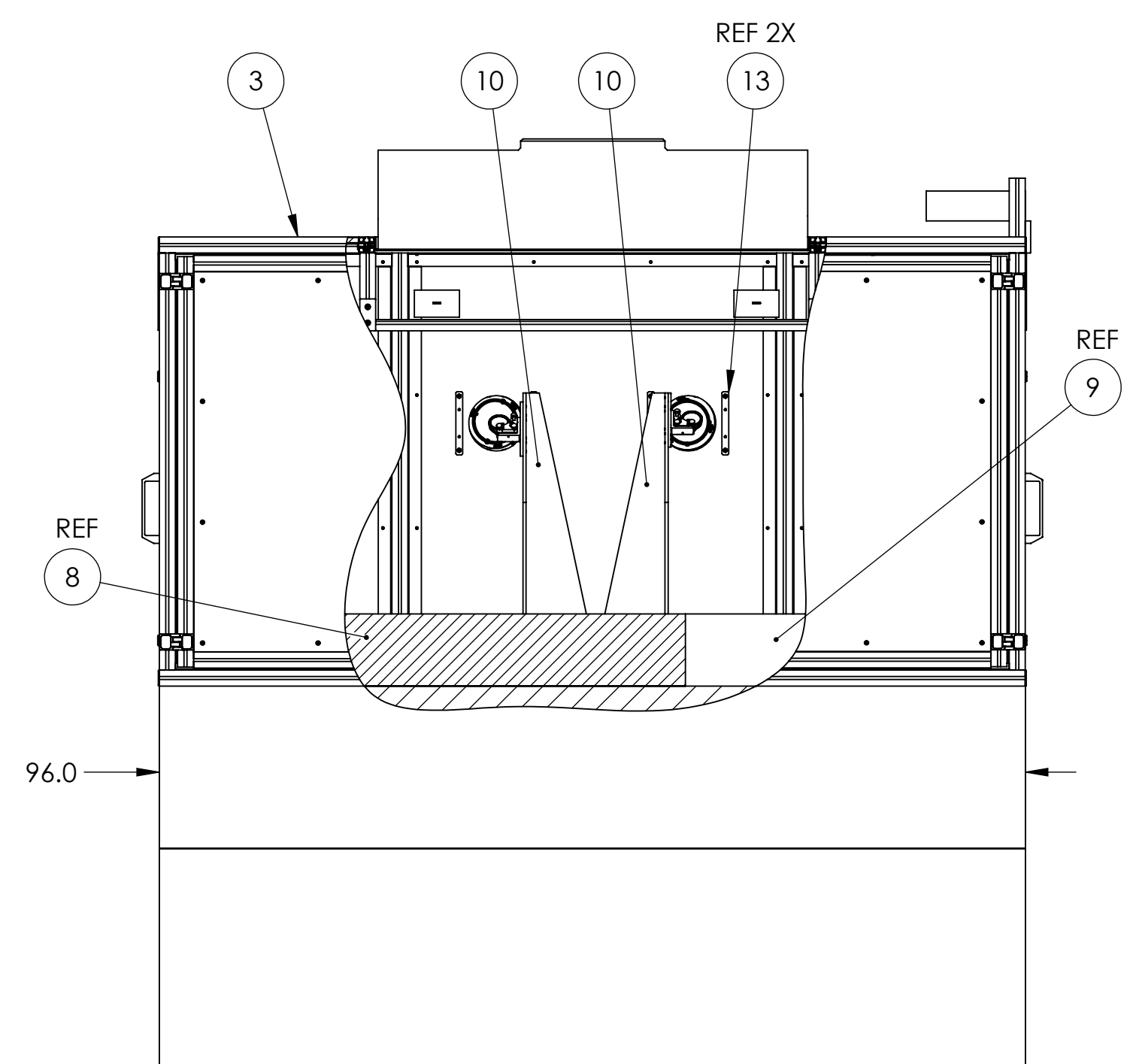
PARTS LIST



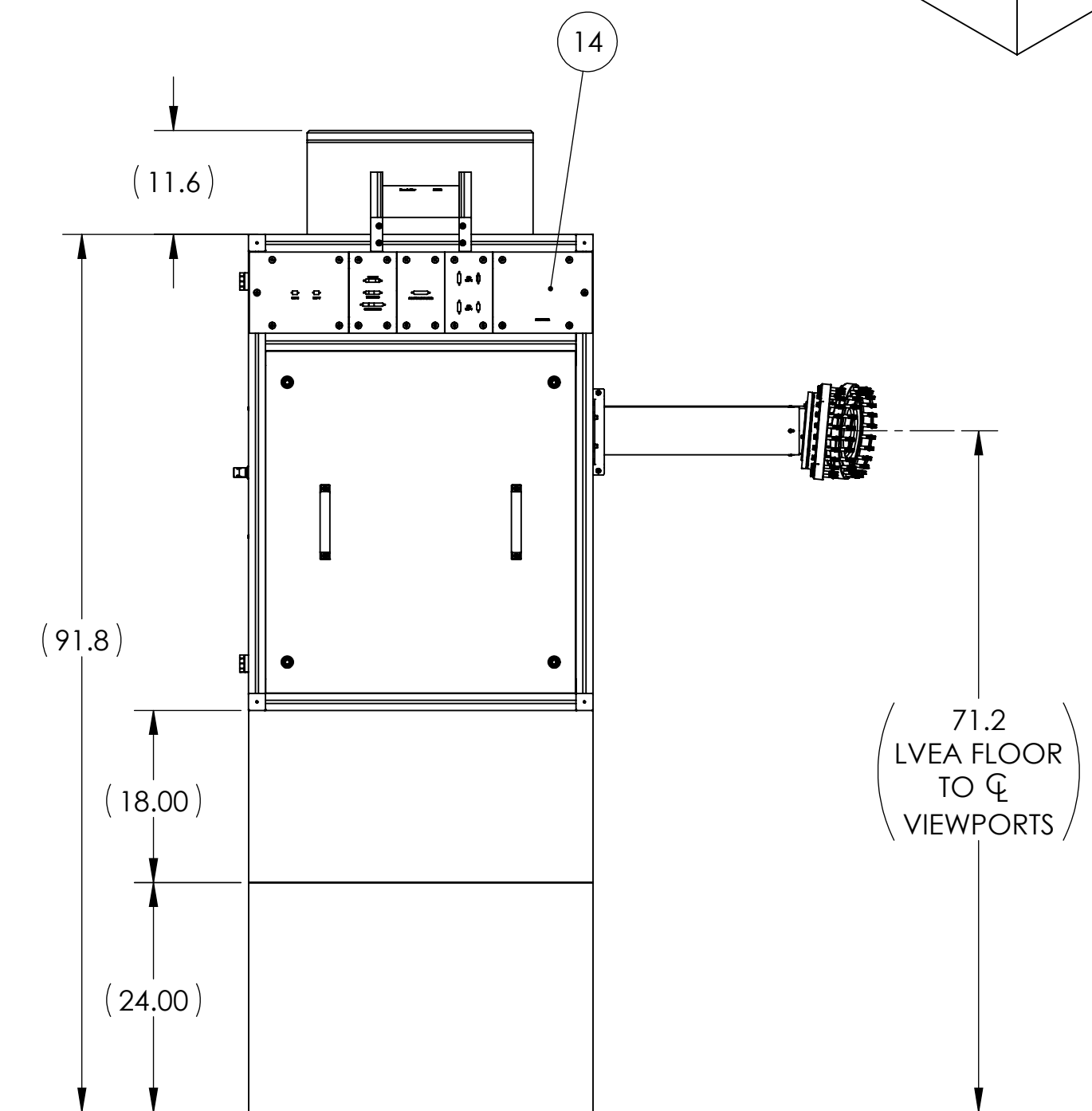
TOP VIEW



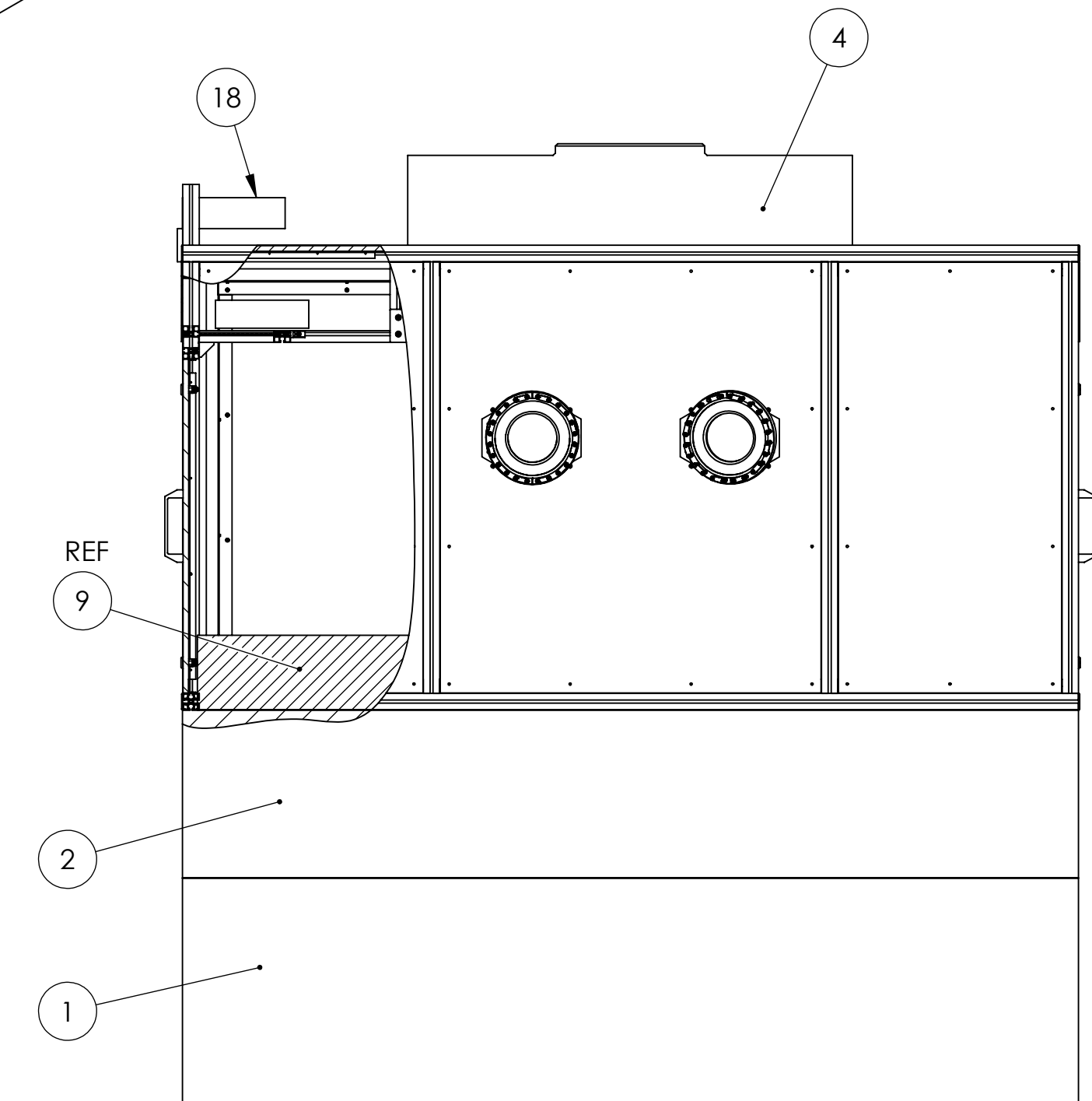
FACING THE HWS-X END OF THE TABLE



FACING TWO HINGED DOORS OF THE TABLE



FACING THE HWS-Y END OF THE TABLE



FACING THREE FIXED PANELS OF THE TABLE

NOTES AND TOLERANCES: (UNLESS OTHERWISE SPECIFIED)		LIGO CALIFORNIA INSTITUTE OF TECHNOLOGY MASSACHUSETTS INSTITUTE OF TECHNOLOGY		PART NAME	
DIMENSIONS ARE IN INCHES		SYSTEM ADVANCED LIGO		SUB-SYSTEM AOS	
TOLERANCES: .XX ± .XXX ±		NEXT ASSY D1001227		TCS HWS TABLE ASSEMBLY, HAM4	
ANGULAR ± °		MATERIAL MULTI		FINISH N/A μinch	
1. INTERPRET DRAWING PER ASME Y14.5-1994.		DESIGNER A. COLE		DATE 21-5-12	
2. DO NOT SCALE FROM DRAWING.		DRAFTER M. JACOBSON		DATE 20-DEC-2013	
		CHECKER A. BROOKS		DATE 07-JAN-2014	
		APPROVAL D. COYNE		SCALE: 1:16	
				PROJECTION:	
				SHEET 1 OF 1	

D1000635_TCS_HWS_TABLE_ASSY_HAM4_PART_PDM_REV-X265_DRAWING_PDM_REV-X014