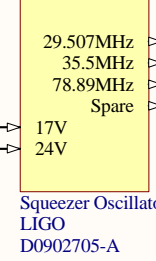


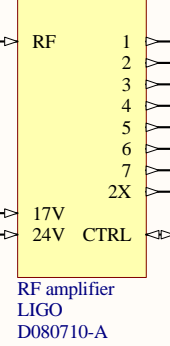
Oscillators

R35



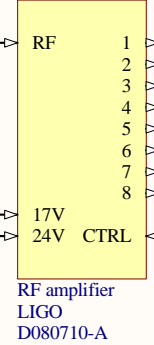
29.507MHz

R31



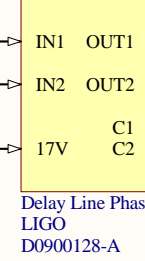
78.89MHz

R33



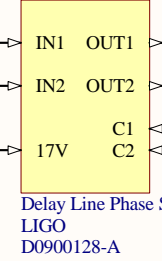
LO/HOM

R30



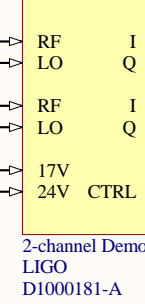
OPO/Align

R29



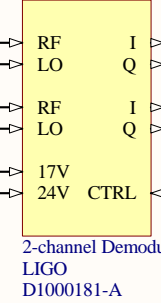
LO/HOM

R28



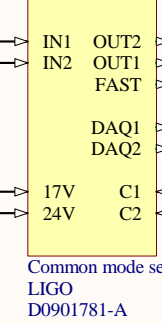
OPO/Align

R27



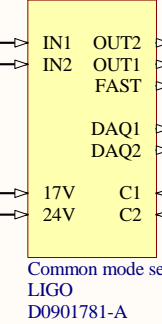
LO

R23

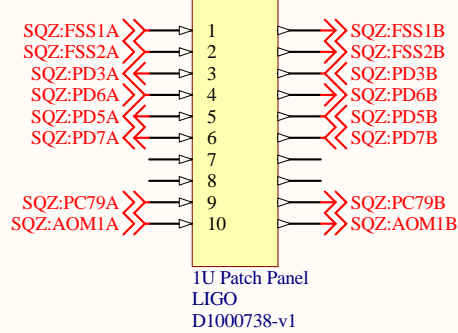


OPO

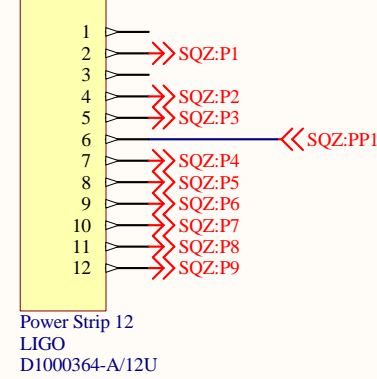
R22



R36



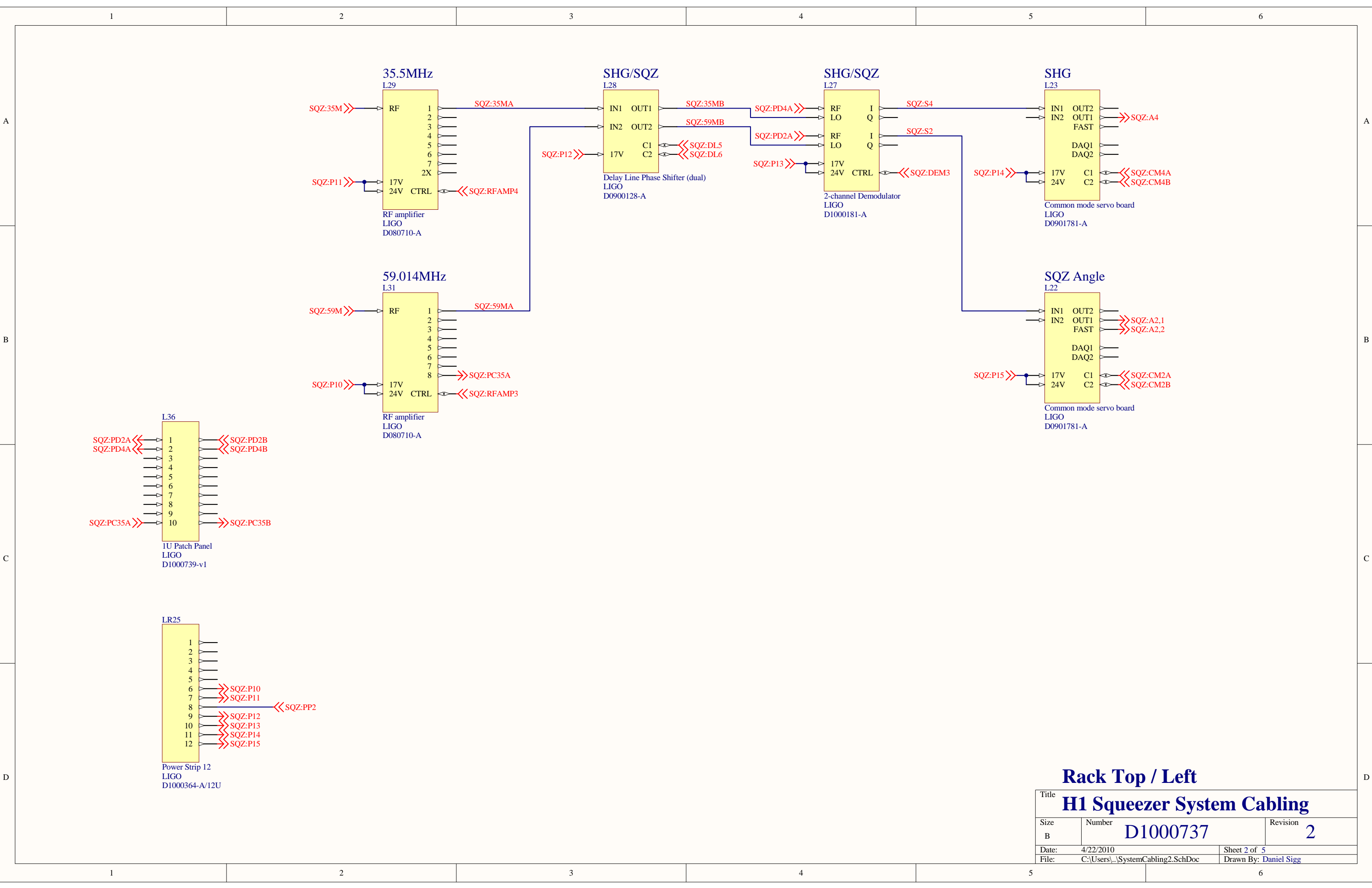
RR25



Rack Top / Right

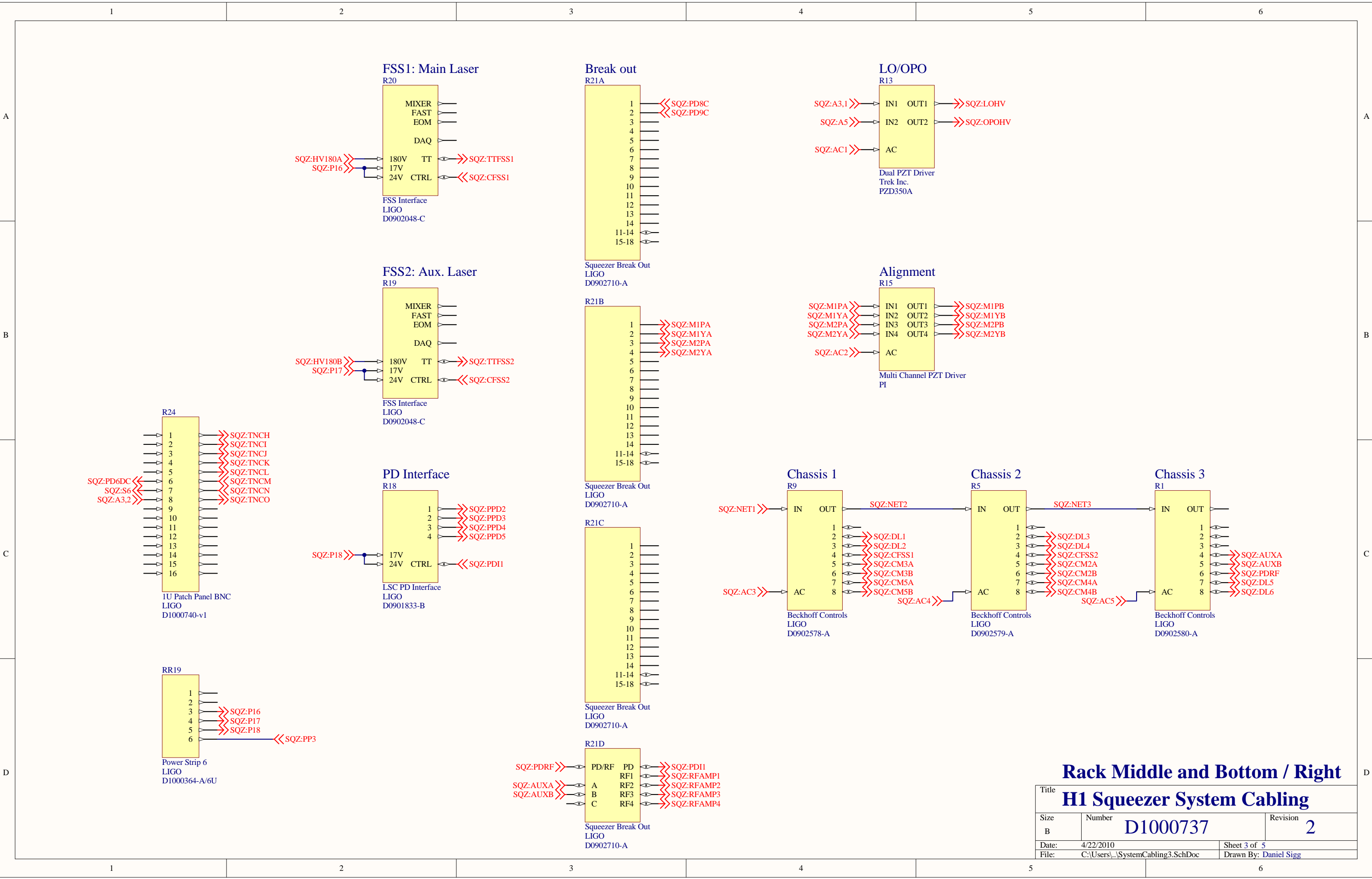
H1 Squeezer System Cabling

| | | |
|-----------------------------------|------------------------------------|-----------------------|
| Title | | |
| H1 Squeezer System Cabling | | |
| Size | Number | Revision |
| B | D1000737 | 2 |
| Date: | 4/22/2010 | Sheet 1 of 5 |
| File: | C:\Users\...\SystemCabling1.SchDoc | Drawn By: Daniel Sigg |



Rack Top / Left

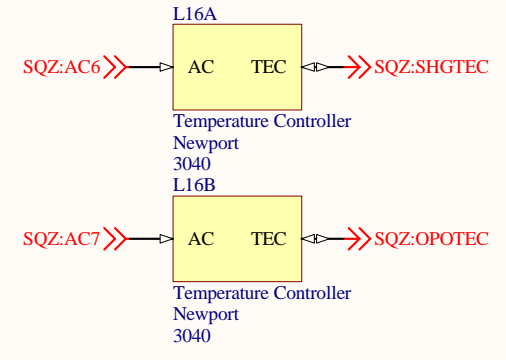
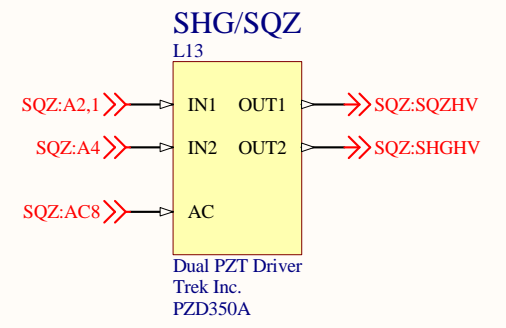
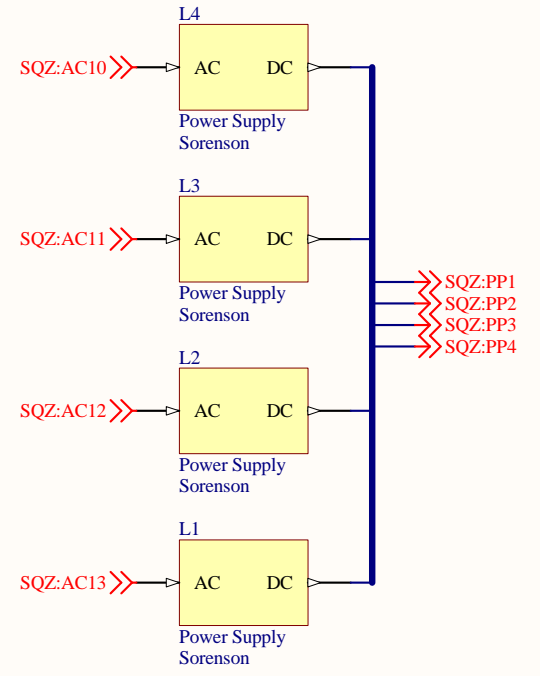
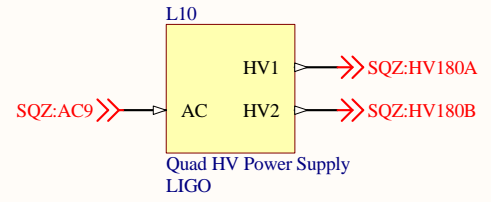
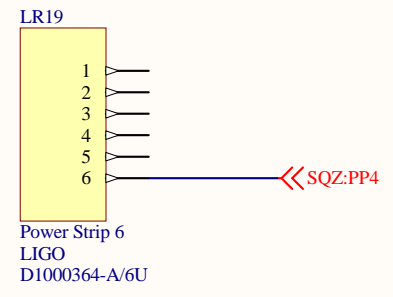
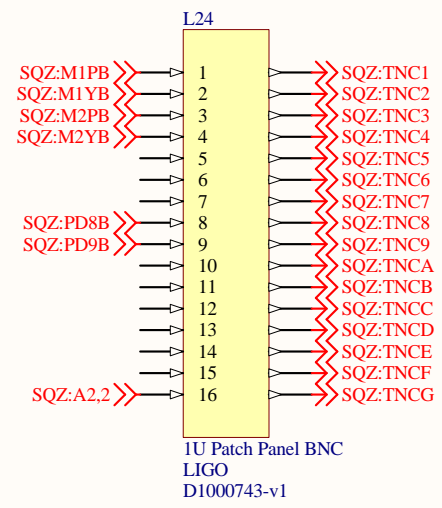
| | | |
|-----------------------------------|------------------------------------|-----------------------|
| Title | | |
| H1 Squeezer System Cabling | | |
| Size | Number | Revision |
| B | D1000737 | 2 |
| Date: | 4/22/2010 | Sheet 2 of 5 |
| File: | C:\Users\...\SystemCabling2.SchDoc | Drawn By: Daniel Sigg |



Rack Middle and Bottom / Right

H1 Squeezer System Cabling

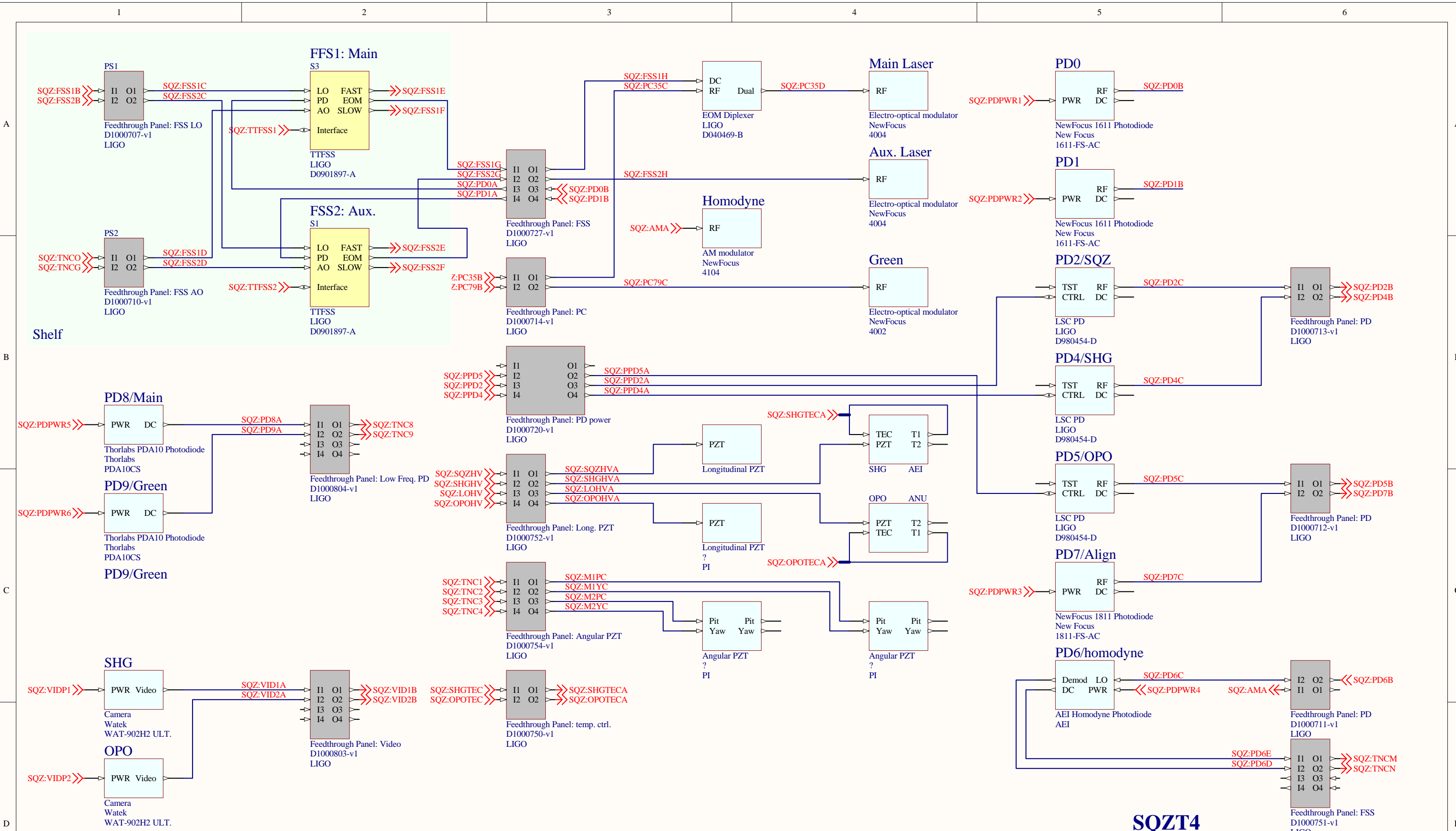
| | | | |
|-------|------------------------------------|-----------------------------------|--|
| Title | | H1 Squeezer System Cabling | |
| Size | Number | Revision | |
| B | D1000737 | 2 | |
| Date: | 4/22/2010 | Sheet 3 of 5 | |
| File: | C:\Users\...\SystemCabling3.SchDoc | Drawn By: Daniel Sigg | |



Rack Middle & Bottom / Left

H1 Squeezer System Cabling

| | | | |
|-------|------------------------------------|-----------------------------------|-------------|
| Title | | H1 Squeezer System Cabling | |
| Size | Number | Revision | |
| B | D1000737 | 2 | |
| Date: | 4/22/2010 | Sheet 4 of 5 | |
| File: | C:\Users\...\SystemCabling4.SchDoc | Drawn By: | Daniel Sigg |



SQZT4 H1 Squeezer System Cabling

| | | | |
|-------|------------------------------------|-----------------------------------|-------------|
| Title | | H1 Squeezer System Cabling | |
| Size | Number | Revision | |
| B | D1000737 | 2 | |
| Date: | 4/22/2010 | Sheet 5 of 5 | |
| File: | C:\Users\...\SystemCabling5.SchDoc | Drawn By: | Daniel Sigg |