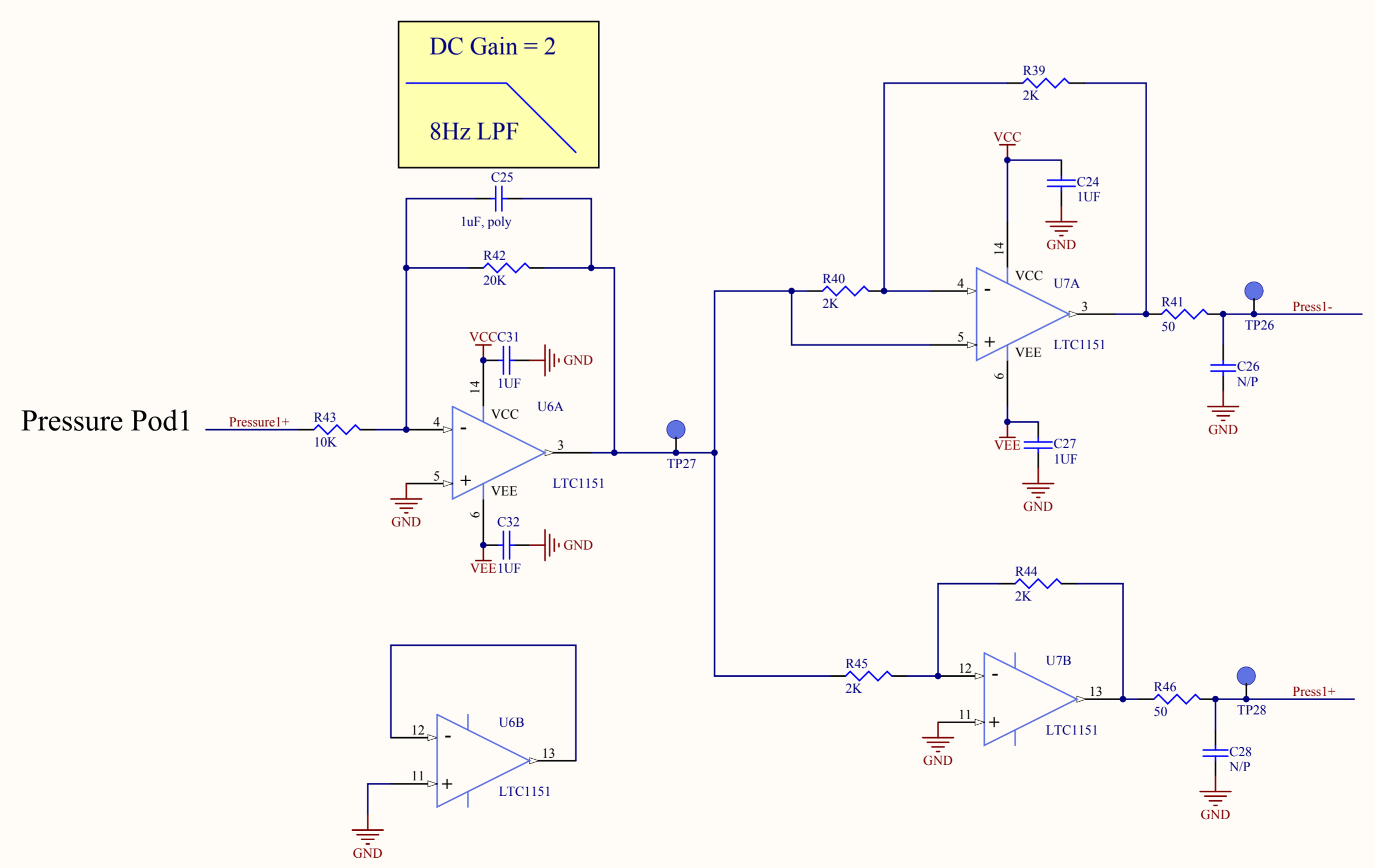


aLIGO BSC GS-13 Interface



Title aLIGO BSC GS-13 Interface			
Size: C	DCC Number: LIGO-D1000755	Ligo Project California Institute of Technology Massachusetts Institute of Technology	
Drawn by: Ben Abbott	Date: 3/29/2010	Revision: V1	
File: C:\Ben\Seismic\ISI\BSC_GS13_Interface\BSCGS13Interface_SchDoc 3:52:34 PM Sheet 1 of 2			

Nominal Whitening is a 10Hz Zero, and a 50Hz Pole. Overall gain=2 @DC.
 There is also 1 pole @ 2KHz, and 1 pole @ 2.24KHz.

