

- PN1 M3 standoff, 12mm
- PN2 M3 standoff, 12mm
- PN3 M3 standoff, 12mm
- PN4 M3 standoff, 12mm

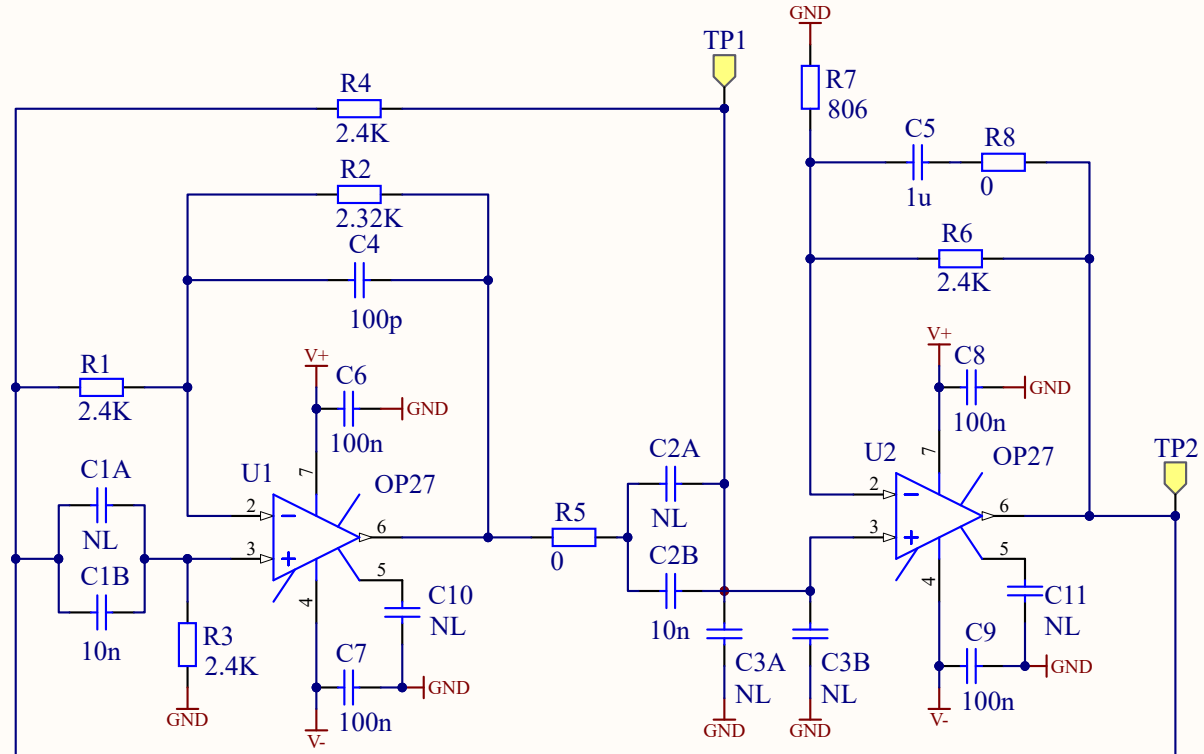
Digi-Key  
24434K-ND

- PN5 M3 pan, 8mm
- PN6 M3 pan, 8mm
- PN7 M3 pan, 8mm
- PN8 M3 pan, 8mm
- PN9 M3 pan, 8mm
- PN10 M3 pan, 8mm
- PN11 M3 pan, 8mm
- PN12 M3 pan, 8mm

Digi-Key  
H743-ND

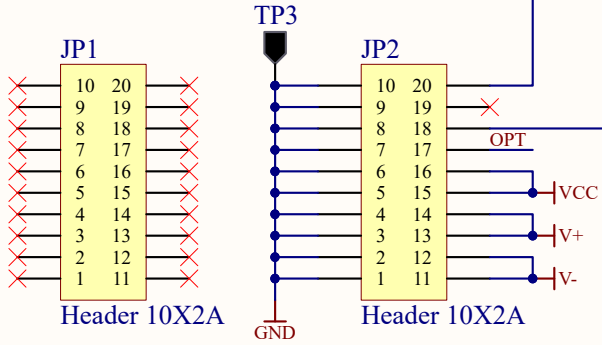
- PN13 M3 lock washer
- PN14 M3 lock washer
- PN15 M3 lock washer
- PN16 M3 lock washer
- PN17 M3 lock washer
- PN18 M3 lock washer
- PN19 M3 lock washer
- PN20 M3 lock washer

Digi-Key  
H772-ND



Complex zeros at 6.63kHz / Q=30  
Poles at 6.63kHz and 6.56kHz

Boost with pole at 66Hz  
and zero at 265Hz



CM daughter board

Title			<b>Servo Notch for a PZT actuator</b>		
Size	Number	Revision			
A	D1000798	2			
Date:	3/28/2018	Sheet 1 of 1			
File:	D:\Users\...\ServoNotch1.SchDoc	Drawn By:		Daniel Sigg	