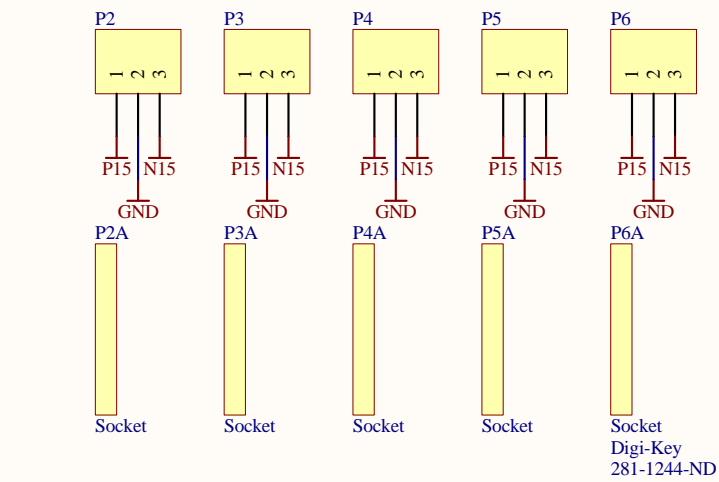
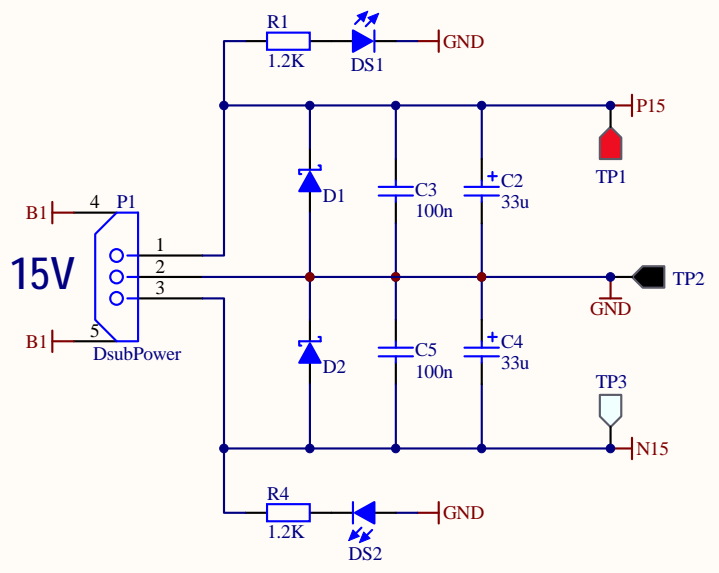
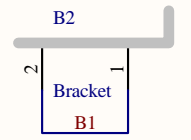
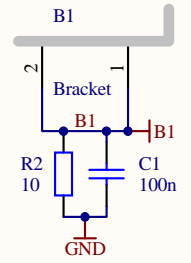


Assembly variant for 15V supply has
 - black headers and sockets, and
 - a 3W3 power connector.
 Assembly variant for 12V supply has
 - green headers and sockets, and
 - a 3W3 C (3V3) power connector.



- H1 #4 screw, 3/8"
- H2 #4 screw, 3/8"
- McMaster-Carr 90272A108
- H3 #4 lock washer
- H4 #4 lock washer
- McMaster-Carr 91113A005
- H5 #4 nut
- H6 #4 nut
- McMaster-Carr 90480A005
- H7 #4 screw, 3/8"
- H8 #4 screw, 3/8"
- McMaster-Carr 91099A165
- H9 #4 lock washer
- H10 #4 lock washer
- H11 #4 nut
- H12 #4 nut



| | | | | | |
|-------|------------------------------|-----------------------|----------------------------------|---|--|
| Title | | | Power Feedthrough Adapter | | |
| Size | Number | Revision | | 1 | |
| A | D1000809 | | | | |
| Date: | 4/6/2010 | Sheet 1 of 1 | | | |
| File: | C:\Users\...\PowerFT1.SchDoc | Drawn By: Daniel Sigg | | | |