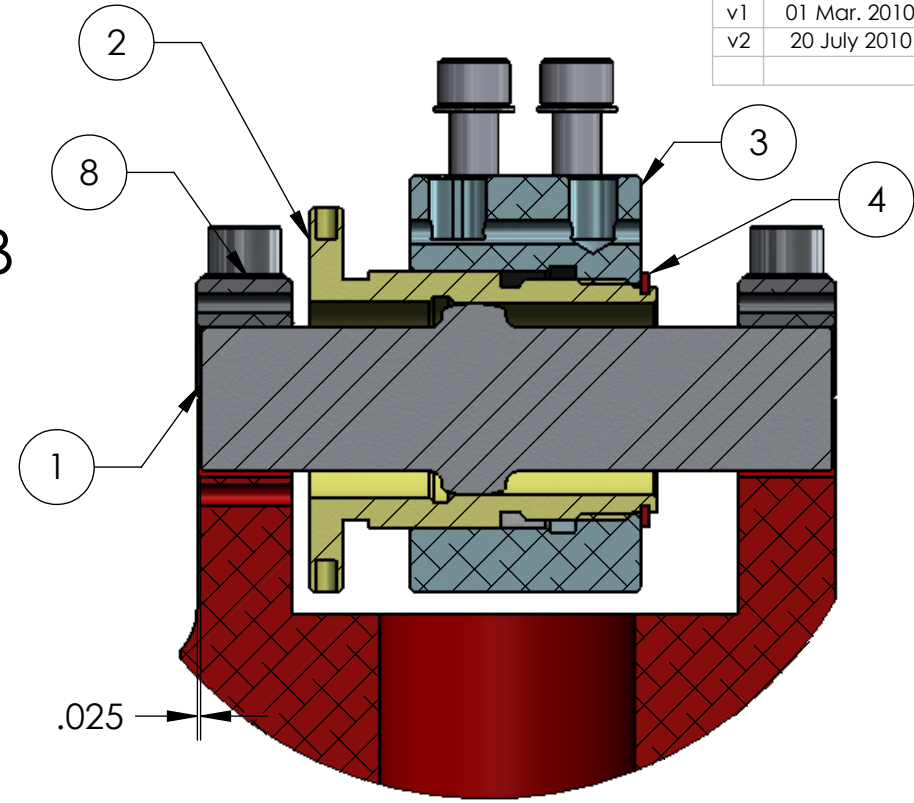
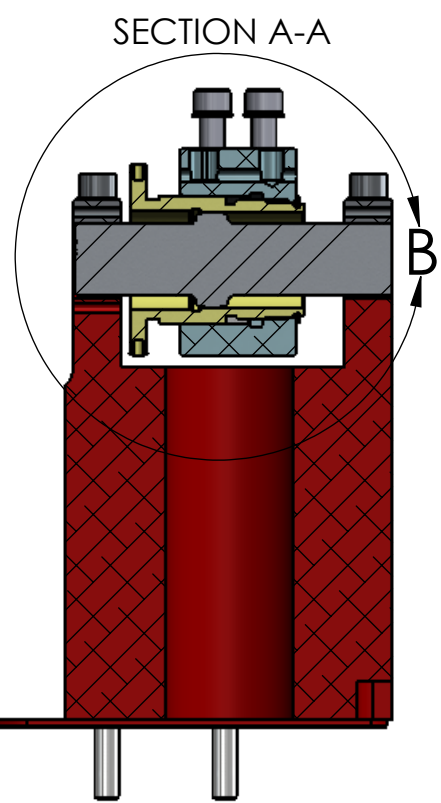
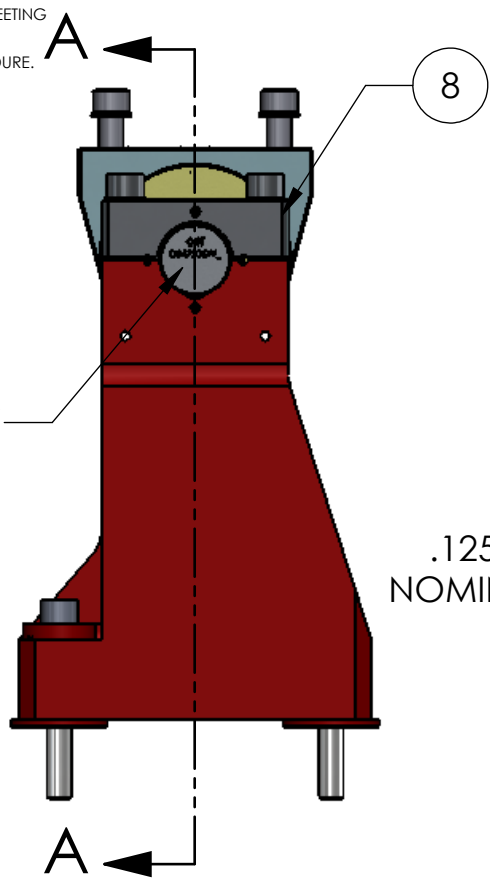


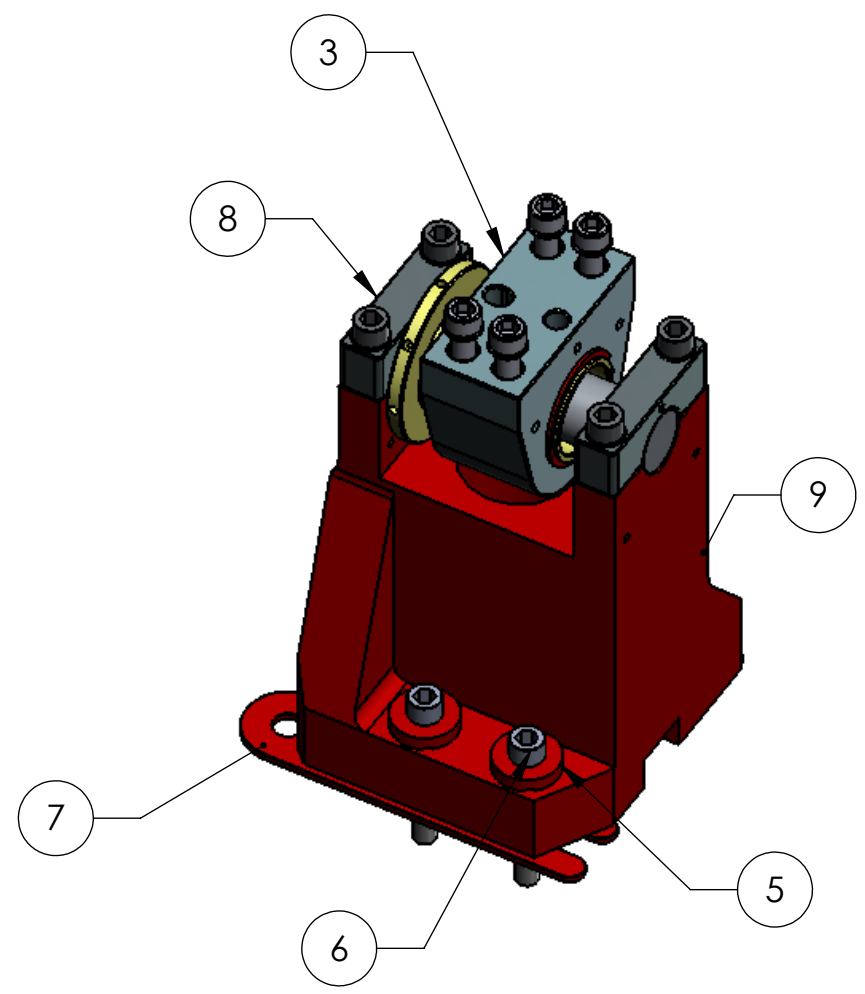
NOTES CONTINUED:  
 5. VENDOR REFERENCES ARE PROVIDED AS EXAMPLES OF PARTS MEETING ALL REQUIRED SPECIFICATIONS. EQUIVALENTS ARE ALWAYS ACCEPTABLE UNLESS OTHERWISE SPECIFIED.  
 6. REFER TO LIGO E0900357 FOR ASSEMBLY AND LOADING PROCEDURE.

REV.	DATE	DCN #	DRAWING TREE #
v1	01 Mar. 2010	E1000115	E1000025
v2	20 July 2010	E1000263	E1000025

NOTE PIN P/N AND WORD OUT ON THIS END OF ASSY



DETAIL B  
SCALE 2 : 3



12	HOLOKROME_78102	SHCS, 3/8"-16x1.5"	18-8 SS	4
11	McMASTER_92196A627	SCREW SHCS, 3/8-16 X 1.38 LG.	18-8 SSTL	4
10	UC_COMPONENTS_WFV-38	Washer Vented, .39 ID X .63 OD X .032 THK #3/8"	18-8 SS	8
9	D1000861	POST, STAGE 0-1 LOCKER, aLIGO BSC ISI	304 SSTL	1
8	D1000862	PIN CAP, LOCKER, aLIGO BSC-ISI	2024-T351 AI	2
7	D0901805	STAGE 0-1, LOCKER, BASE SHIM SPACER	304 SSTL	2
6	McMASTER_92196A635	SHCS, 3/8"-16x2.75"	18-8 SS	4
5	D047942	WASHER ADJUSTABLE FOOT, aLIGO BSC ISI	304, 316 OR 302 SSTL	4
4	SMALLEY_FSE-0175	SNAP RING 1.75 OD X 1.64 ID X .067 THK	304, 316 OR 302 SSTL	1
3	D1000908	HOUSING LOCKER SLEEVE, aLIGO BSC ISI	2024-T351 AI	1
2	D1000860	SLEEVE, STAGE 0-1 LOCKER, aLIGO BSC-ISI	AISI 440C PER AMS 5630	1
1	D047935	LOCKER SPHERICAL PIN	AISI 440C PER AMS 5630	1
ITEM NO.	PART NUMBER	DESCRIPTION	MATERIAL	Stage 0-1 Locked/QTY.

NOTES AND TOLERANCES: (UNLESS OTHERWISE SPECIFIED)  
 1. INTERPRET DRAWING PER ASME Y14.5-1994.  
 2. REMOVE ALL SHARP EDGES, R.02 MIN.  
 3. DO NOT SCALE FROM DRAWING.  
 4. ALL MACHINING FLUIDS MUST BE FULLY SYNTHETIC, FULLY WATER SOLUBLE AND FREE OF SULFUR, SILICONE, AND CHLORINE.

DIMENSIONS ARE IN INCHES  
 TOLERANCES:  
 .XX ± N/A  
 .XXX ± N/A  
 ANGULAR ± N/A\*

MATERIAL N/A FINISH N/A μinch

**LIGO** CALIFORNIA INSTITUTE OF TECHNOLOGY MASSACHUSETTS INSTITUTE OF TECHNOLOGY

SYSTEM ADVANCED LIGO SUB-SYSTEM SEI

PART NAME Stage 0-1 Locker aLIGO BSC-ISI

DESIGNER SEI 08 APR 2010 SIZE DWG. NO. B D1000854 REV. v2  
 DRAFTER M.HILLARD 01 Mar. 2010  
 CHECKER F.MATICHARD 01 Mar. 2010  
 APPROVAL K.MASON 01 Mar. 2010

SCALE: 1:3 PROJECTION: SHEET 1 OF 1

D1000854 Stage 0-1 Lockers, aLIGO BSC-ISI, PART PDM REV: X-011, DRAWING PDM REV: X-004