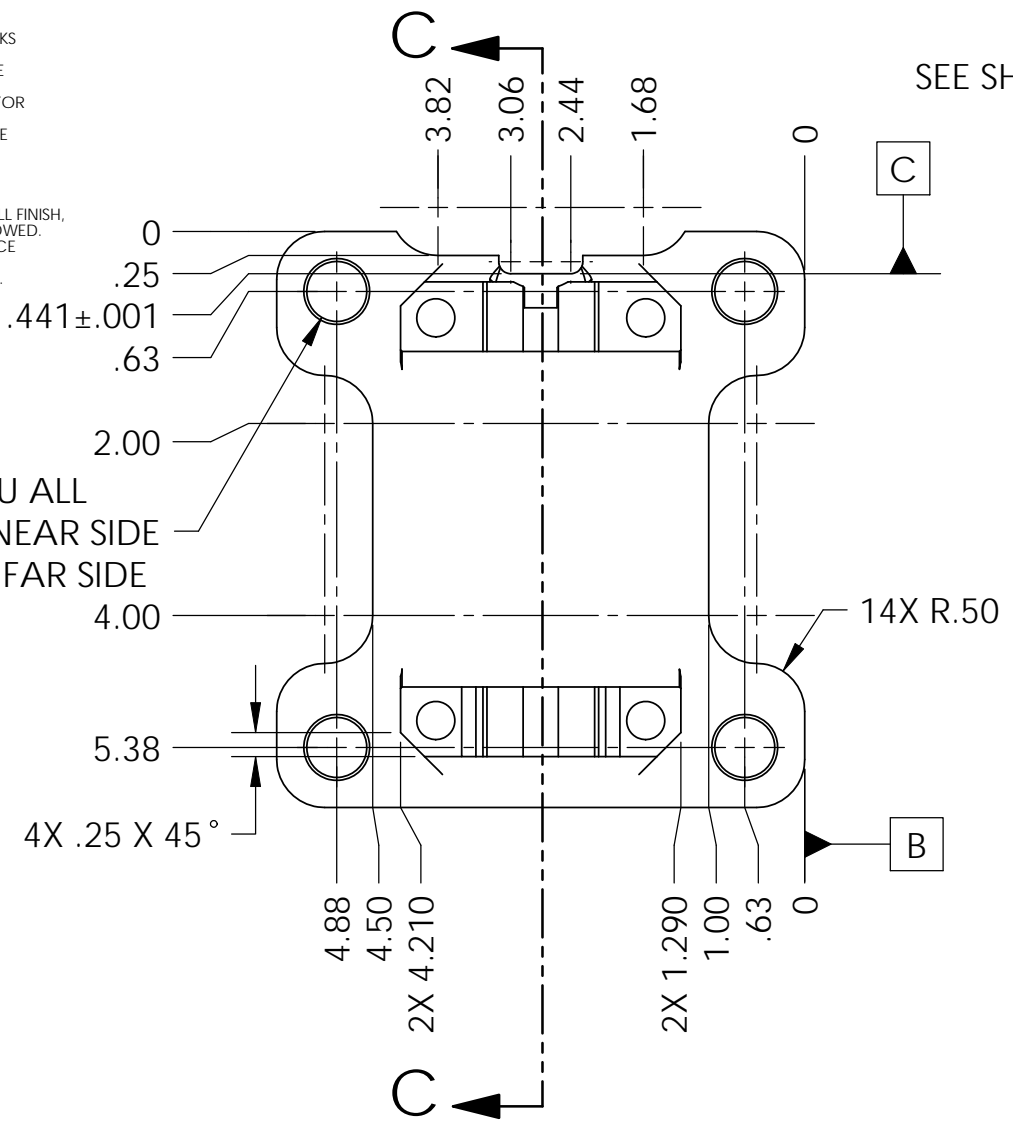


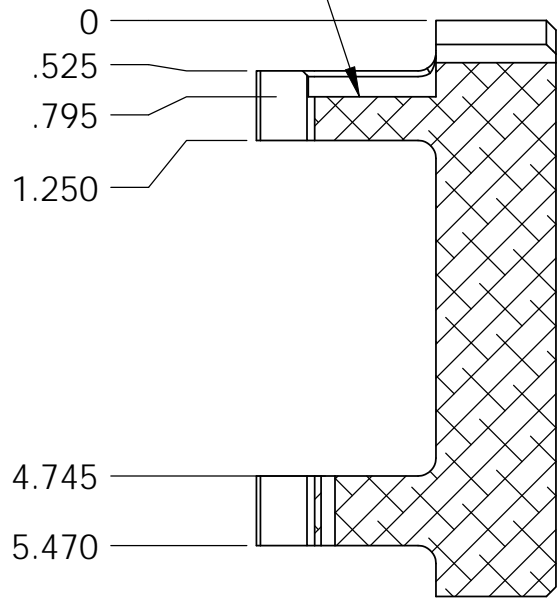
D1000873 Post, Stage 1-2 Locker, aLIGO BSC-ISI, PART PDM REV: X-009, DRAWING PDM REV: X-006

**NOTES CONTINUED:**  
 5. SCRIBE, ENGRAVE, OR MECHANICALLY STAMP (NO INKS OR DYES) DRAWING PART NUMBER, REVISION (AND VARIANT OR "TYPE" IF APPLICABLE ON NOTED SURFACE OF PART FOLLOWED ON THE NEXT LINE WITH A THREE DIGIT SERIAL NUMBER. SERIAL NUMBERS START AT 001 FOR THE FIRST ARTICLE AND PROCEED CONSECUTIVELY. USE MINIMUM 0.12 HIGH CHARACTERS, UNLESS THE SIZE OF THE PART DICTATES SMALLER CHARACTERS. A VIBRATORY TOOL MAY BE USED.  
 EXAMPLE DXXXXXX-VY, TYPE-XX, S/N XXX.  
 6. APPROXIMATE WEIGHT = 3.5 LB.  
 7. MACHINE ALL SURFACES TO REMOVE OXIDES AND MILL FINISH. USE OF ABRASIVE REMOVAL TECHNIQUES IS NOT ALLOWED.  
 8. ALL PARTS SHALL BE MANUFACTURED IN ACCORDANCE WITH LIGO SPECIFICATION E0900364.  
 9. A TAPPED HOLE PITCH DIAMETER LIMIT OF H11 APPLIES.  
 10. A TRUE POSITION TOLERANCE OF  $\phi$  010 IS - THE SAME AS A CONVENTIONAL TOLERANCE OF  $\pm$  .005.

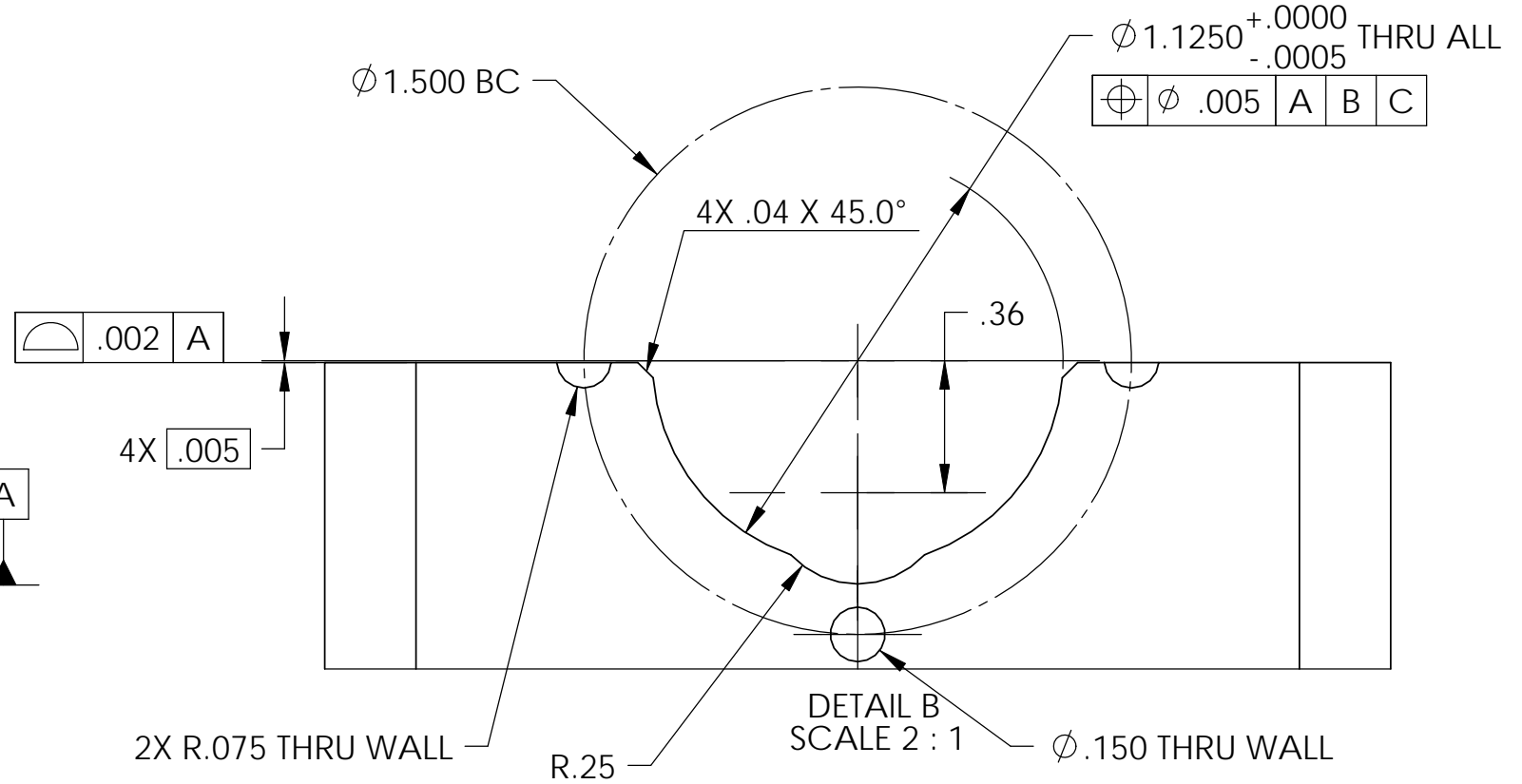
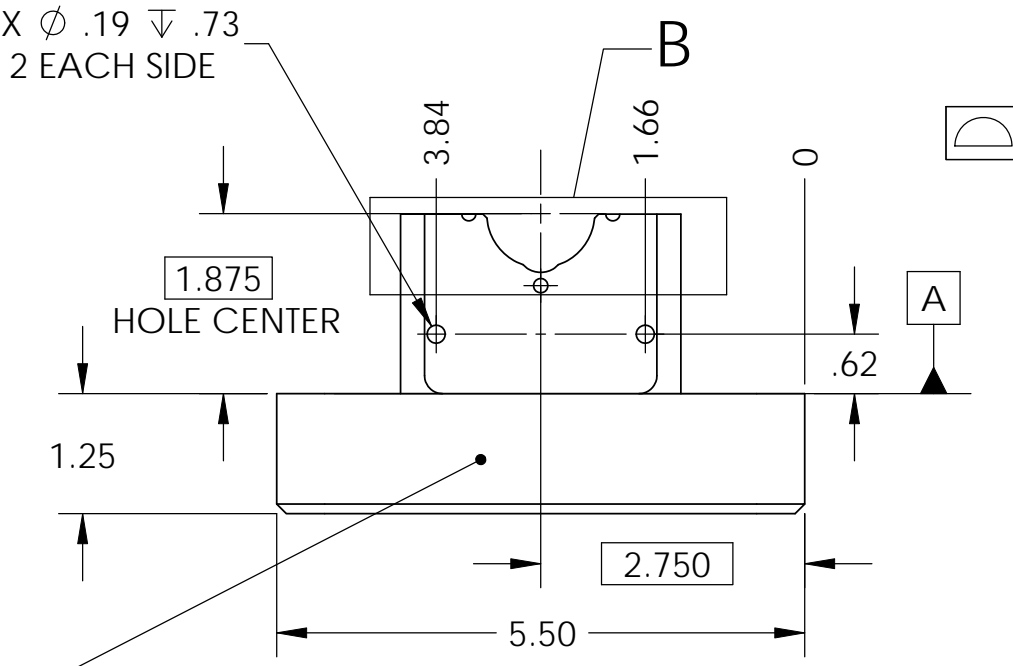
REV.	DATE	DCN #	DRAWING TREE #
v1	01 Mar. 2010	E1000115	E1000025
v2	20 July 2010	E1000263	E1000025



SEE SHEET 2 FOR NOTCH DETAIL



SECTION C-C



5

NOTES AND TOLERANCES: (UNLESS OTHERWISE SPECIFIED)				LIGO CALIFORNIA INSTITUTE OF TECHNOLOGY MASSACHUSETTS INSTITUTE OF TECHNOLOGY		PART NAME	
DIMENSIONS ARE IN INCHES				ADVANCED LIGO		POST, STAGE 1-2 LOCKER, aLIGO BSC-ISI	
TOLERANCES: .XX ± .015 .XXX ± .005				SUB-SYSTEM SEI		DESIGNER	A.STEIN 01 Mar. 2010
ANGULAR ± .5°				NEXT ASSY		DRAFTER	M.HILLARD 01 Mar. 2010
MATERIAL		FINISH		D1000855		CHECKER	F.MATICHARD 01 Mar. 2010
2024-T351 Al		63 μinch		D1000855		APPROVAL	K.MASON 01 Mar. 2010
						SIZE	DWG. NO.
						B	D1000873
						REVISION	v2
						SCALE: 1:2	PROJECTION:
						SHEET 1 OF 2	

D1000873 Post, Stage 1-2 Locker, aLIGO BSC-ISI, PART PDM REV: X-009, DRAWING PDM REV: X-006

8 7 6 5 4 3 2 1

D

D

C

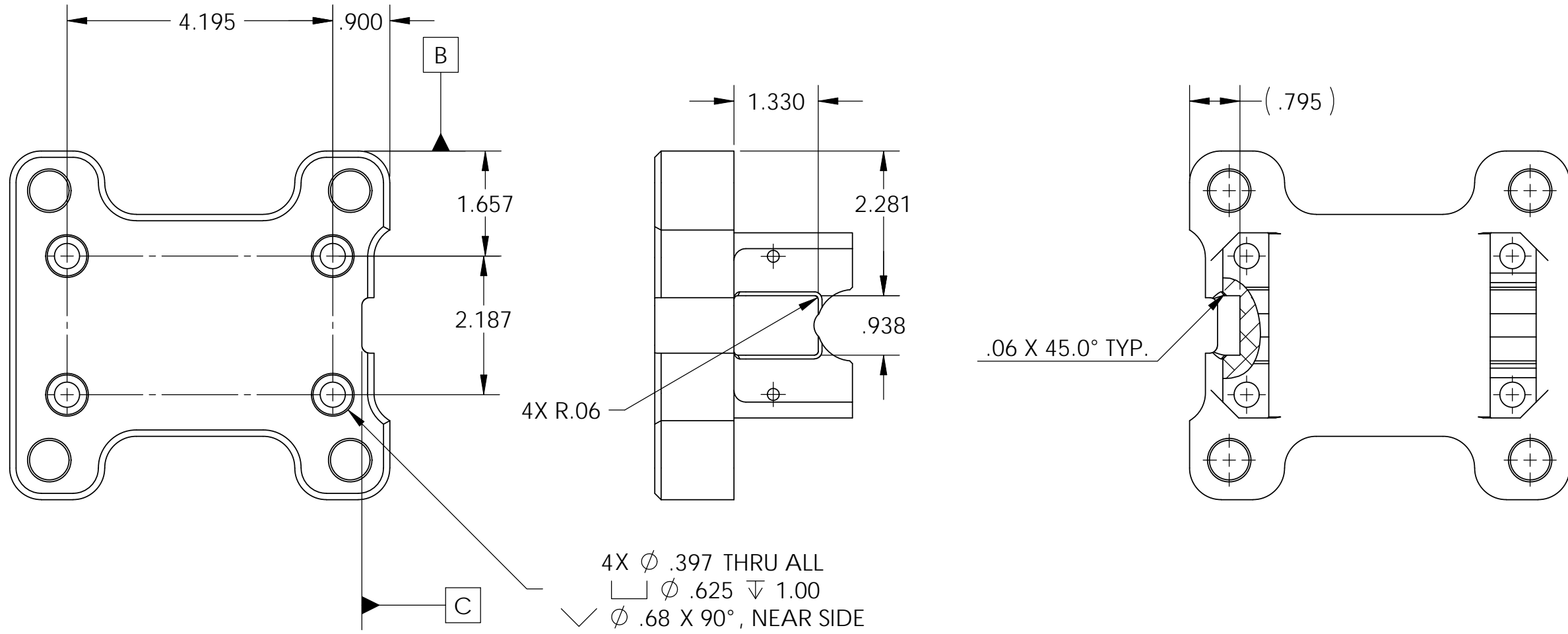
C



B

B

A

A



		CALIFORNIA INSTITUTE OF TECHNOLOGY MASSACHUSETTS INSTITUTE OF TECHNOLOGY	
SIZE B	DWG. NO. D1000873	REV. v2	
SCALE: 1:2	PROJECTION: 	SHEET 2 OF 2	

8 7 6 5 4 3 2 1