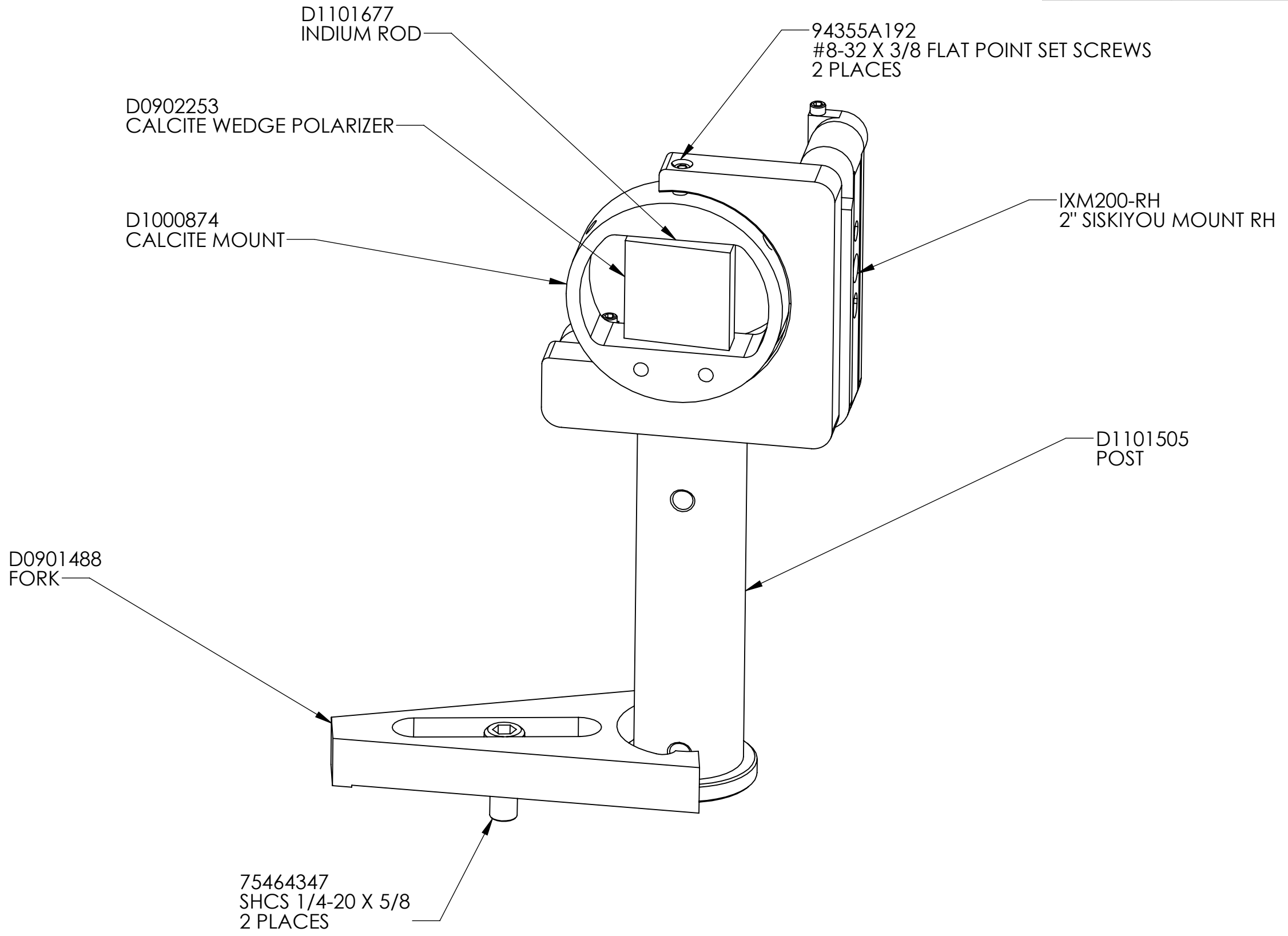


D1000877_ALIGO_IO_FI_CALCITE_MOUNT_ASSEMBLY, PART PDM REV: X-009, DRAWING PDM REV:

REV.	DATE	DCN #	DRAWING TREE #
-	-	-	-
-	-	-	-
-	-	-	-



NOTES AND TOLERANCES: (UNLESS OTHERWISE SPECIFIED)	
1. INTERPRET DRAWING PER ASME Y14.5-1994. 2. REMOVE ALL SHARP EDGES, .005-.015, FOR MACHINED PARTS. ROUND ALL EDGES APPROXIMATELY R.02 FOR SHEET METAL PARTS. 3. DO NOT SCALE FROM DRAWING. 4. ALL MACHINING FLUIDS MUST BE FULLY SYNTHETIC, FULLY WATER SOLUBLE AND FREE OF SULFUR, SILICONE, AND CHLORINE.	
DIMENSIONS ARE IN	
TOLERANCES:	
.XX ±	
.XXX ±	
ANGULAR ± °	
MATERIAL	N/A
FINISH	N/A μinch

CALIFORNIA INSTITUTE OF TECHNOLOGY MASSACHUSETTS INSTITUTE OF TECHNOLOGY		PART NAME		FI CALCITE MOUNT ASSEMBLY	
SYSTEM	ADVANCED LIGO	SUB-SYSTEM	100	DESIGNER	L.WILLIAMS 15 MAY 2013
NEXT ASSY	D1000322	CHECKER		DRFTR	L.WILLIAMS 15 MAY 2013
		APPROVAL		SIZE	DWG. NO.
				B	D1000877
				SCALE:	1:1
				PROJECTION:	
					SHEET 1 OF 1

8 7 6 5 4 3 2 1

D C B A

D C B A

8 7 6 5 4 3 2 1