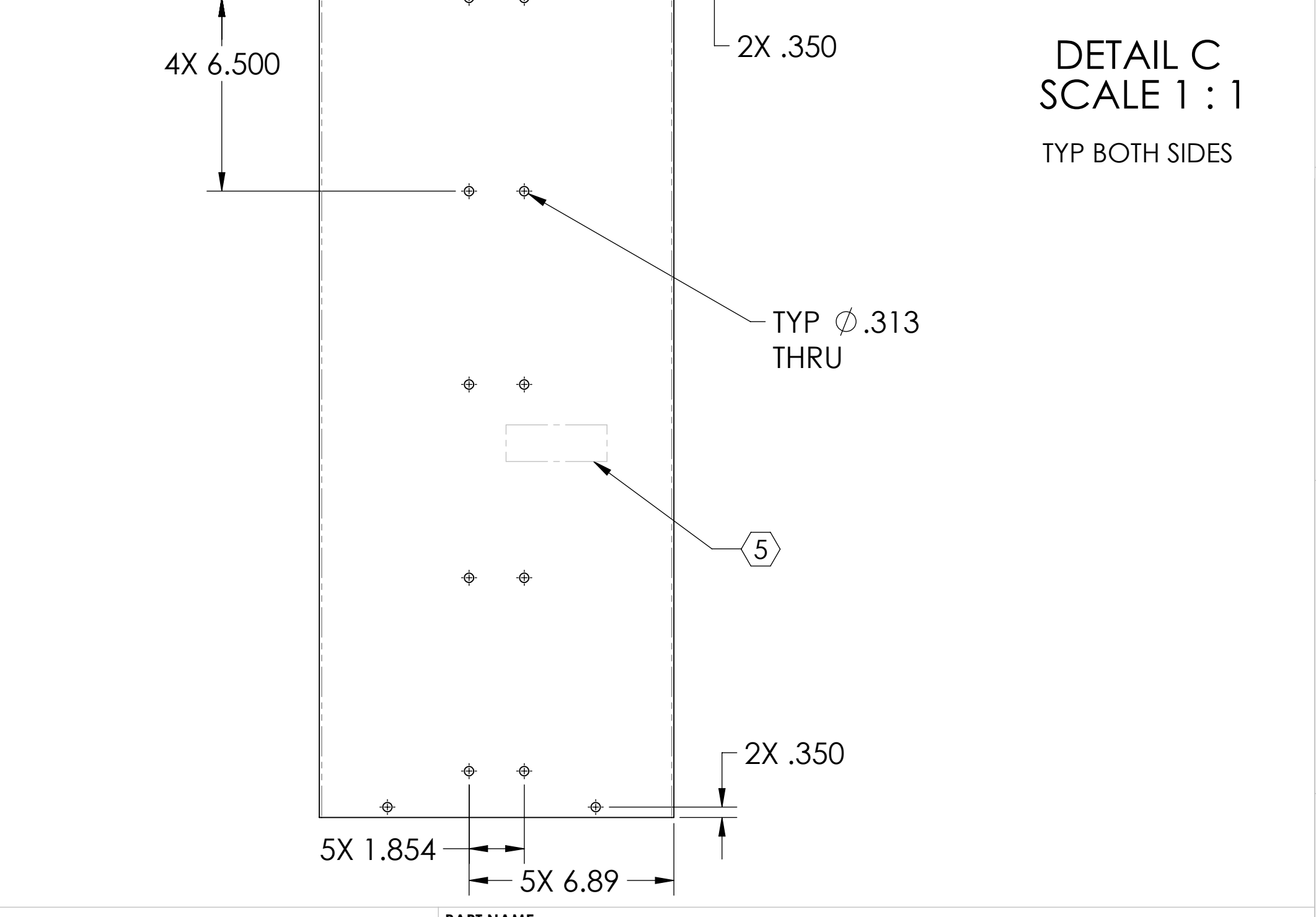
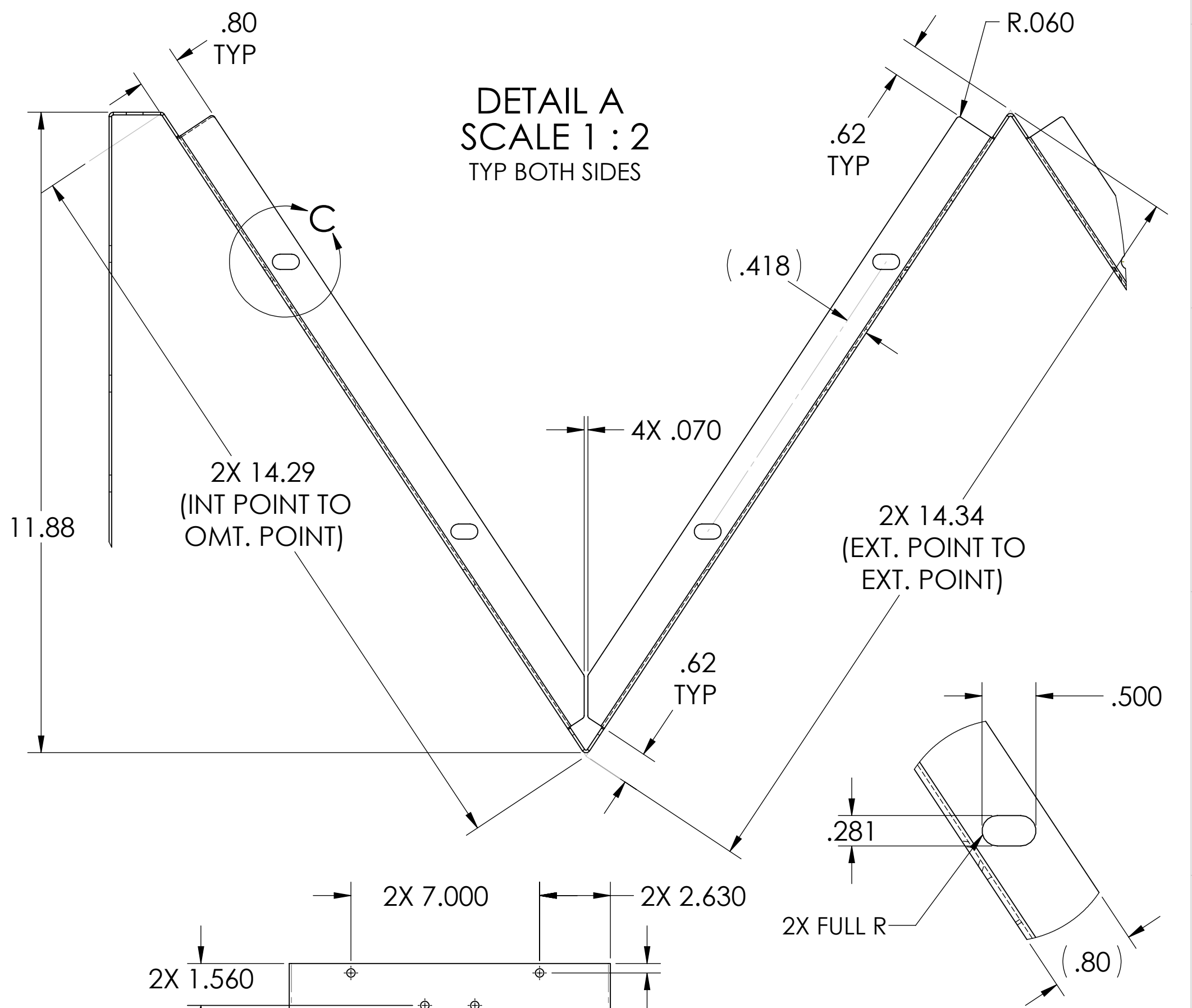
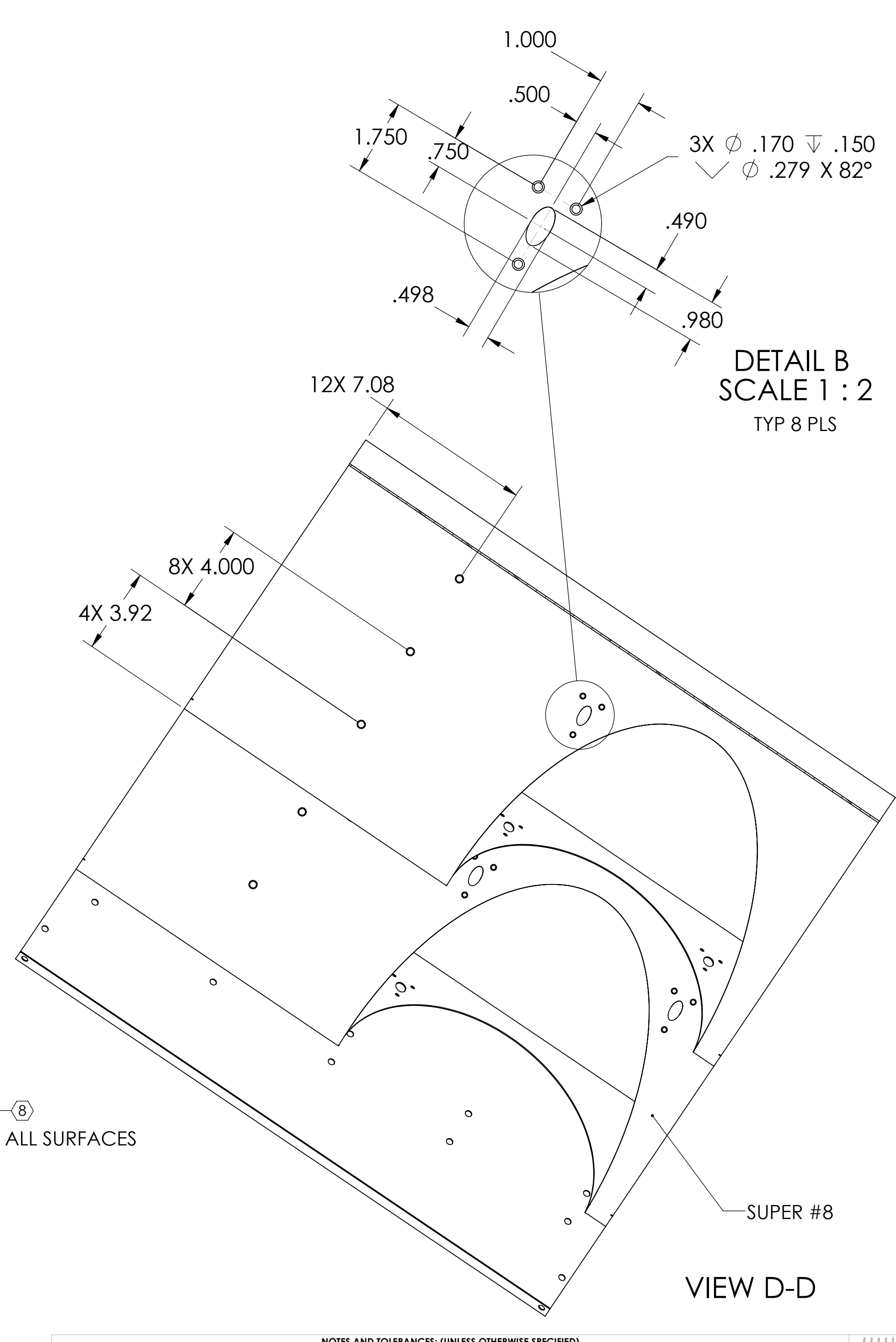
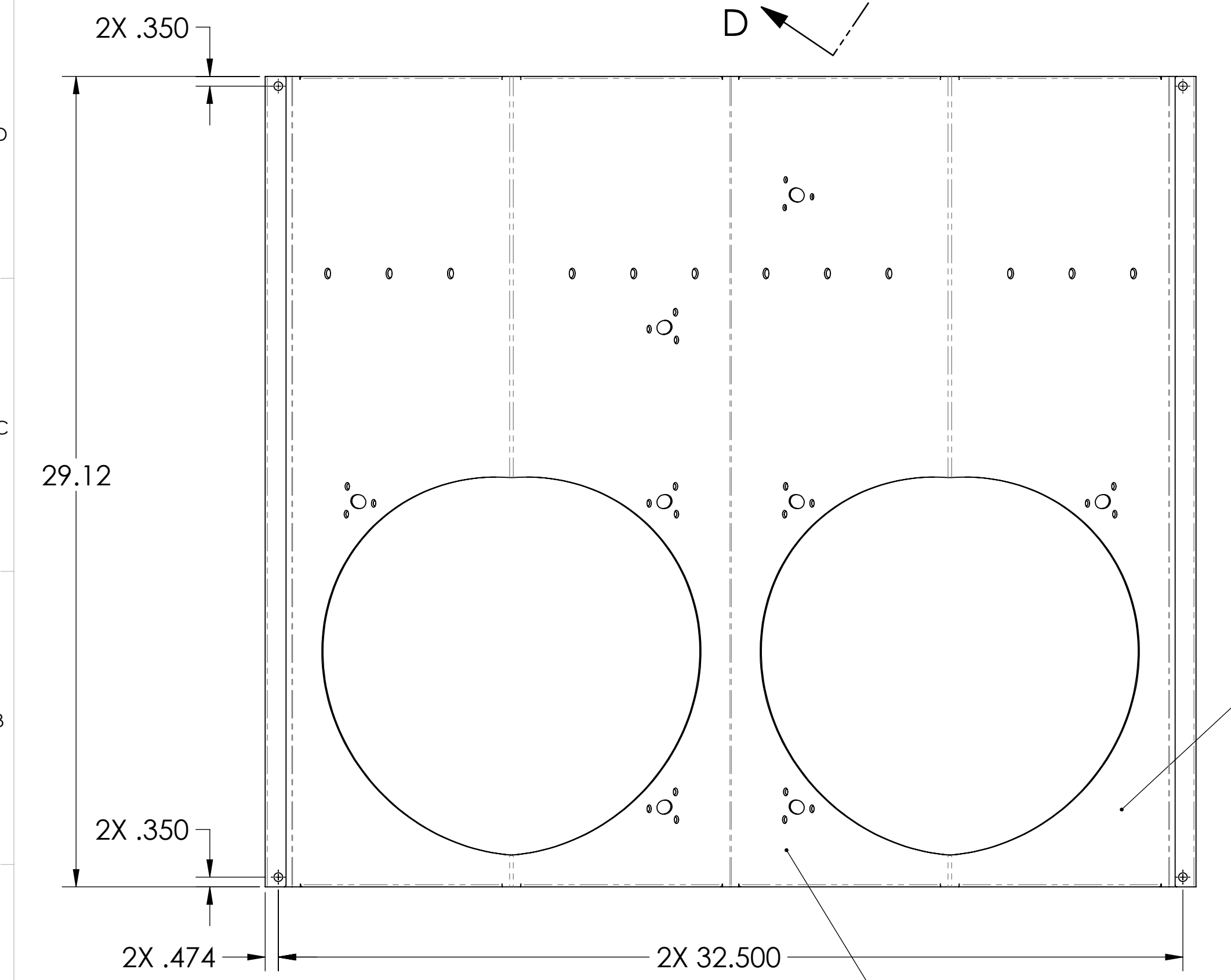
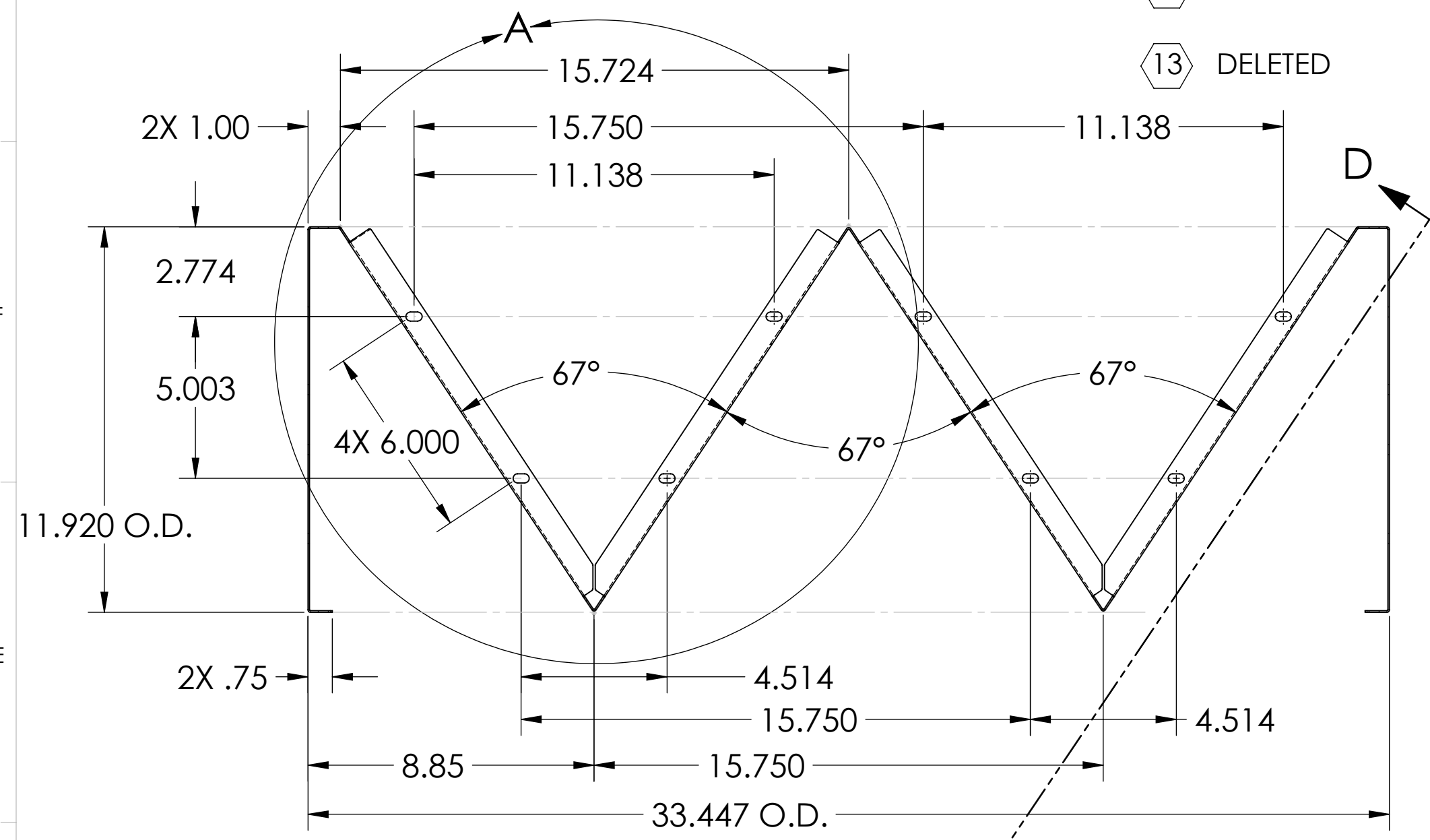


NOTES: UNLESS OTHERWISE SPECIFIED

1. INTERPRET DRAWING PER ASME Y14.5-1994.
2. REMOVE ALL SHARP EDGES. .005-.015 ON ALL EDGES AND HOLES.
3. DO NOT SCALE FROM DRAWING.
4. ALL MACHINE FLUIDS MUST BE FULLY SYNTHETIC, FULL WATER SOLUBLE AND FREE OF SULFUR, SILICONE AND CHLORINE PER LIGO DOCUMENT E0900237.
5. MECHANICALLY STAMP (NO INKS OR DYES) PART NUMBER, REVISION AND SERIAL NUMBER .020 DEEP WITH MINIMUM CHARACTER HEIGHT .156 APPROXIMATELY WHERE SHOWN. SERIAL NUMBER WILL START AT 001 AND PROCEED CONSECUTIVELY.
EXAMPLE: D100XXXX=V1
S/N 001

6. PART SHALL BE MANUFACTURED IN ACCORDANCE WITH LIGO SPEC E0900364.
7. ALL MATERIAL IS TO BE VIRGIN MATERIAL (I.E. NO WELD REPAIRS OR PLUGS) UNLESS APPROVED IN ADVANCE, IN WRITING, BY LIGO PER SPECIFICATION E0900364.
8. SURFACE FINISH TO BE AS-PROCESSED FROM MILL/SUPPLIER, FREE FROM SCRATCHES OR GOUGES.
9. DELETED
10. DELETED
11. DELETED
12. SEE CAD FILE # D1000973.SLDPRT TO GENERATE ELLIPSE CURVES.
13. DELETED

REV.	DATE	DCN #	DRAWING TREE #
v1	02 JUL 2010	E1000285	
v2	11 MAR 2011	E1100216	
v3	20 MAY 2011	E1100335	
v4	27 MAY 2011	E1100335	
v5	25 JUN 2011	E1100335	
v6	07 SEPT 2011	E1100335	

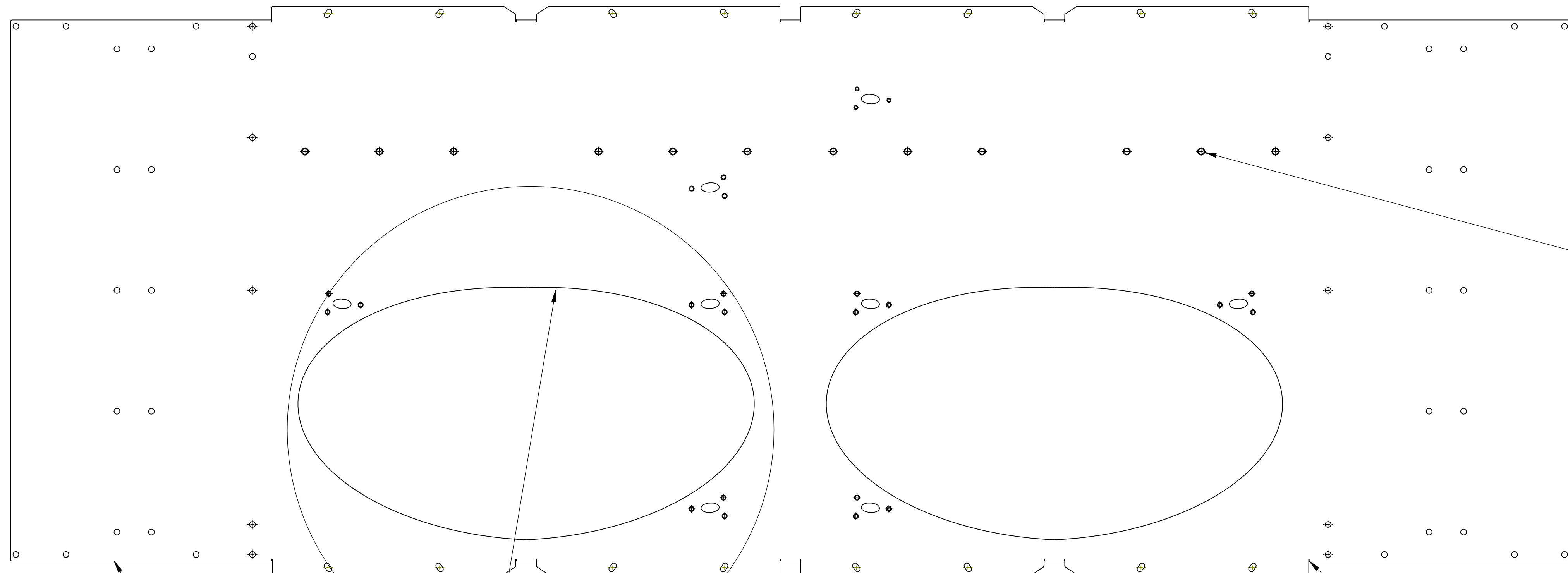


NOTES AND TOLERANCES: (UNLESS OTHERWISE SPECIFIED)		LIGO CALIFORNIA INSTITUTE OF TECHNOLOGY MASSACHUSETTS INSTITUTE OF TECHNOLOGY		PART NAME	
DIMENSIONS ARE IN INCHES		SEE TOP LEFT FOR NOTES		ARM CAVITY BAFFLE SKIN	
TOLERANCES: .XX ± .03 .XXX ± .015		MATERIAL 18 GAUGE, 304 SSTL		DESIGNER N.Nguyen	
ANGULAR ± 1.0°		FINISH SUPER #8		DRAFTER TQ. NGUYEN	
		NEXT ASSY D1000977		CHECKER M. SMITH	
				APPROVAL D. COYNE	
				SIZE DWG. NO. D D1000973	
				REVISION v6	
				SCALE: 1:4 PROJECTION: SHEET 1 OF 3	

D1000973_AduLIGO_AOS_SLC_ARM_Cavity_Baffle_Skin_PART_PDM_REV.X-049_DRAWING_PDM_REV.X-070

8 7 6 5 4 3 2 1

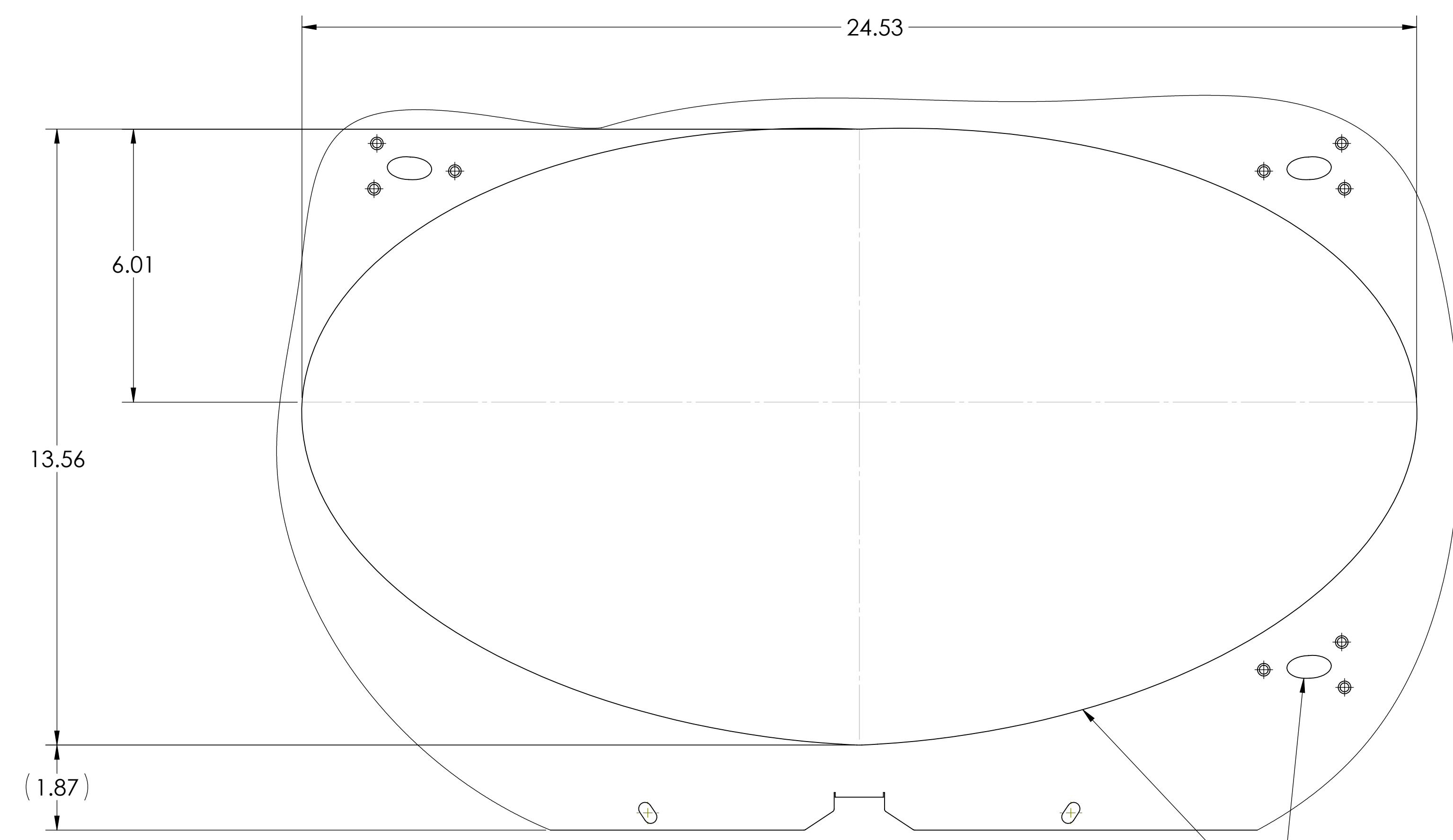
H
G
F
E
D
C
B
A



12X Ø .221 THRU
✓ Ø .385 X 82°

BEND RELIEF
OPTIONAL
TYP

ALL EDGES TO BE SMOOTH
AND FREE OF BURRS



DETAIL G
SCALE 1 : 2
2 PLS

LIGO CALIFORNIA INSTITUTE OF TECHNOLOGY MASSACHUSETTS INSTITUTE OF TECHNOLOGY		REV.
SIZE DWG. NO.	D1000973	v6
SCALE: 1:4	PROJECTION:	SHEET 2 OF 3

D:\000973_Adu\GO_ACS_SLC_ARM_Covily_Bottle_Sign_PART_PDM_REV.X-018_DRAWING_PDM_REV.X-070

8 7 6 5 4 3 2 1

8

7

6

5

4

3

2

1

H

H

G

G

F

F

E

E

D

D

C

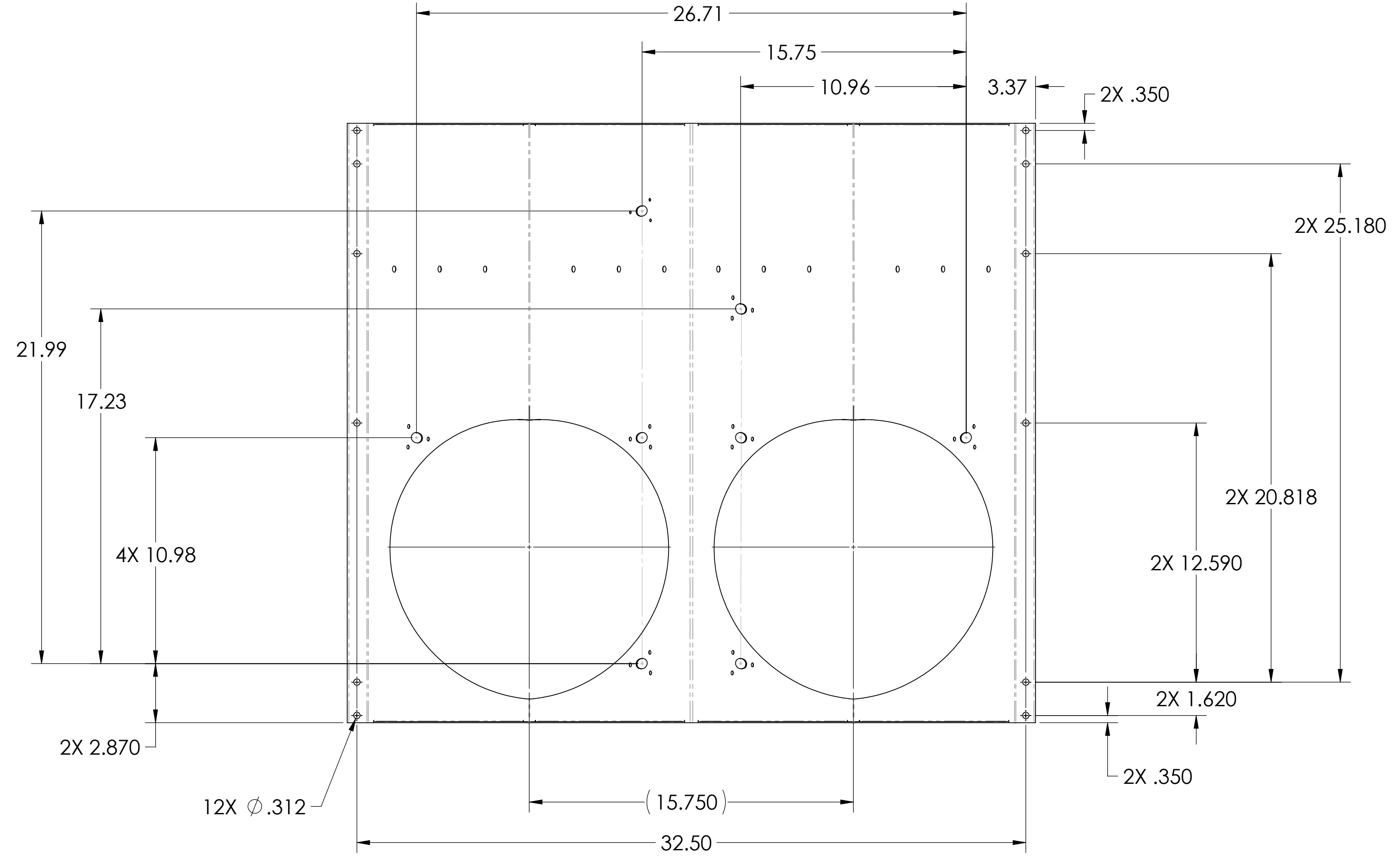
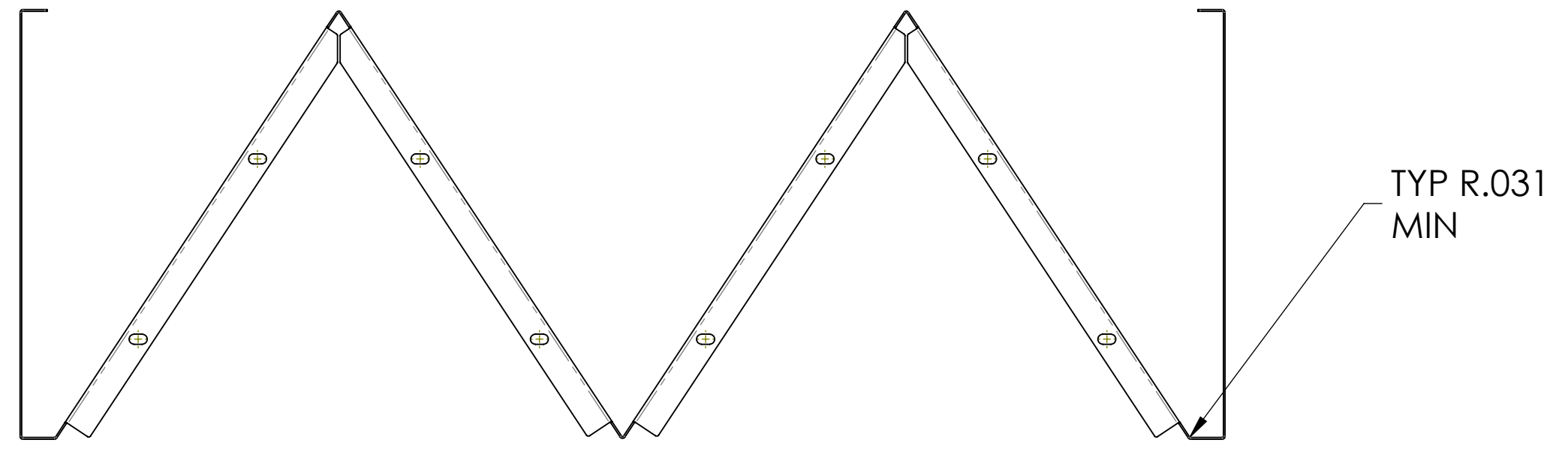
C

B

B

A

A



LIGO CALIFORNIA INSTITUTE OF TECHNOLOGY MASSACHUSETTS INSTITUTE OF TECHNOLOGY		
SIZE	DWG. NO.	REV.
D	D1000973	v6
SCALE: 1:4	PROJECTION:	SHEET 3 OF 3

D:\00973_Adu\GO_ACS_31C_ARM_Covily_Bottle_Sign_PART_FDM_REV.X-018_DRAWING_FDM_REV.X-070