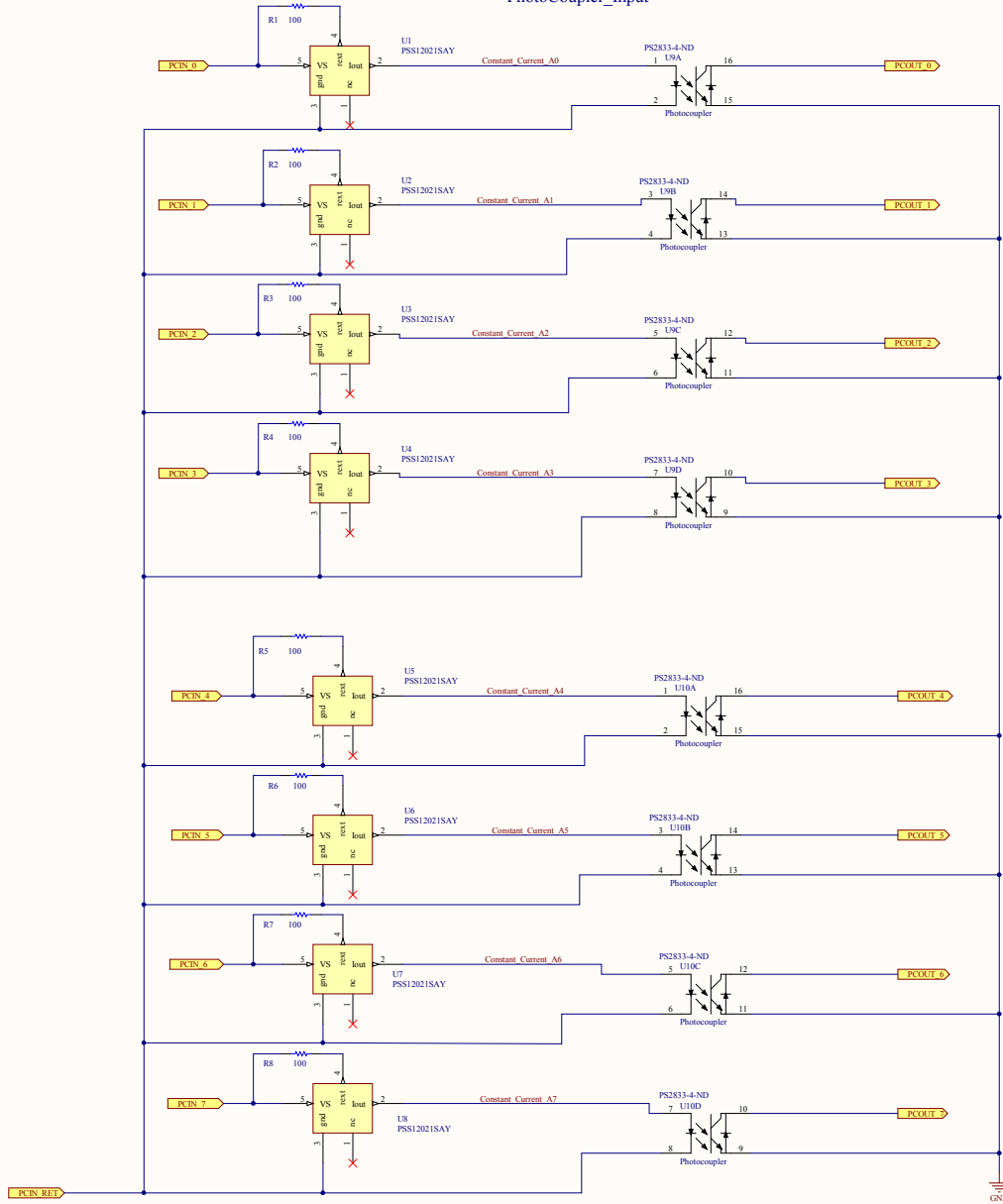


PhotoCoupler_Input



VERSION 2

Last Edited: 5/21/2010

Title PHOTOCOUPLER		LIGO Laboratory California Institute of Technology Massachusetts Institute of Technology		LIGO	
Size: C	DCC Number: D1001036	SCH / PCB Revision: A	Engineer: R. Abbott	Date: 2/1/2011	Time: 2:42:33 PM
File: C:\Rek\Files\Mycadfiles\ISC\BinaryInput\Bin in v3\photocopier_V3.SchDoc					Sheet 0 of 0

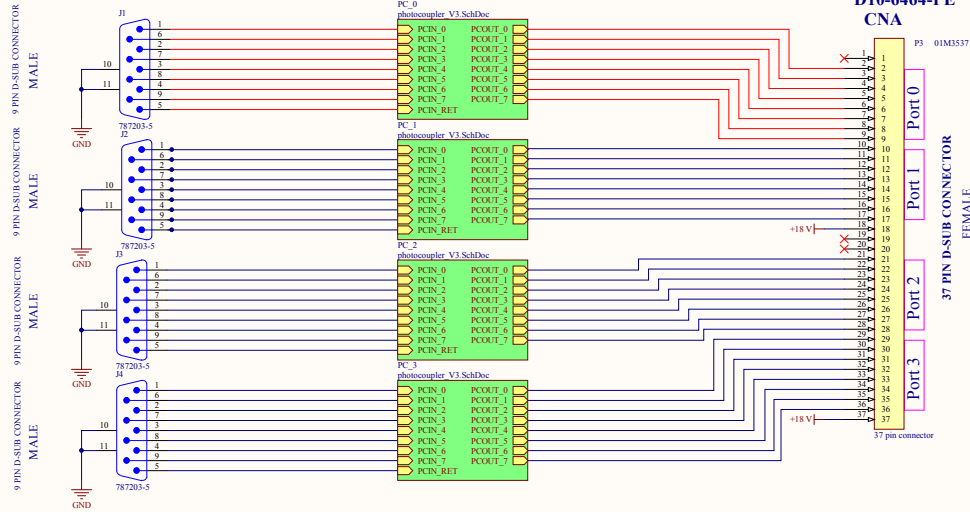
BINARY INPUT INTERFACE

Channel 0-7

Channel 8-15

Channel 16-23

Channel 24-31

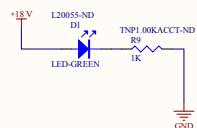
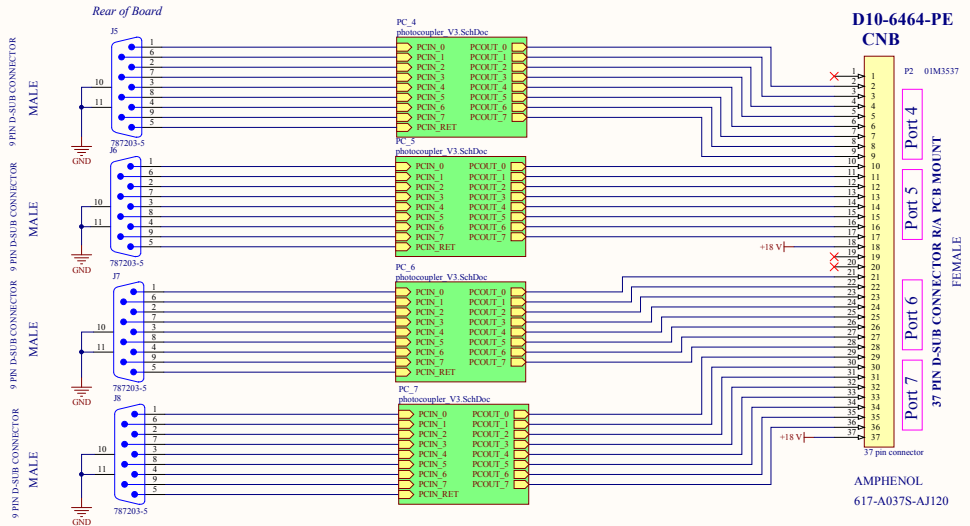


Channel 32-39

Channel 40-47

Channel 48-55

Channel 56-63



NOTES:
VC CHANGES
Corrected mounting hole to plated through holes
Added pull back on poly plane pours on top and bottom
Increased test width on silkscreen from 1 to 7 mil Business
Added channel identification onto silkscreen
Change board size from 16" to 14" wide
Change footprint size from 0805 to 1206, for R9

BINARY INPUT INTERFACE TOP LEVEL

VERSION 2

Title BINARY INPUT INTERFACE TOP LEVEL		LIGO Laboratory California Institute of Technology Massachusetts Institute of Technology		Page Edited: 5/21/2010
Site: C	DCC Number: D1001036	SCH / PCB Revision: A	Engineer: R. Abbott	Date: 2/1/2011
File: C:\Reb's Files\Mycadfiles\ISC\BinaryInput\Bin in v3\IB_top_level_V1 SchDcc			Time: 2:42:33 PM Sheet 0 of 0	

64 Channel Binary Input Card
D1001036
Version 3

Serial Number

