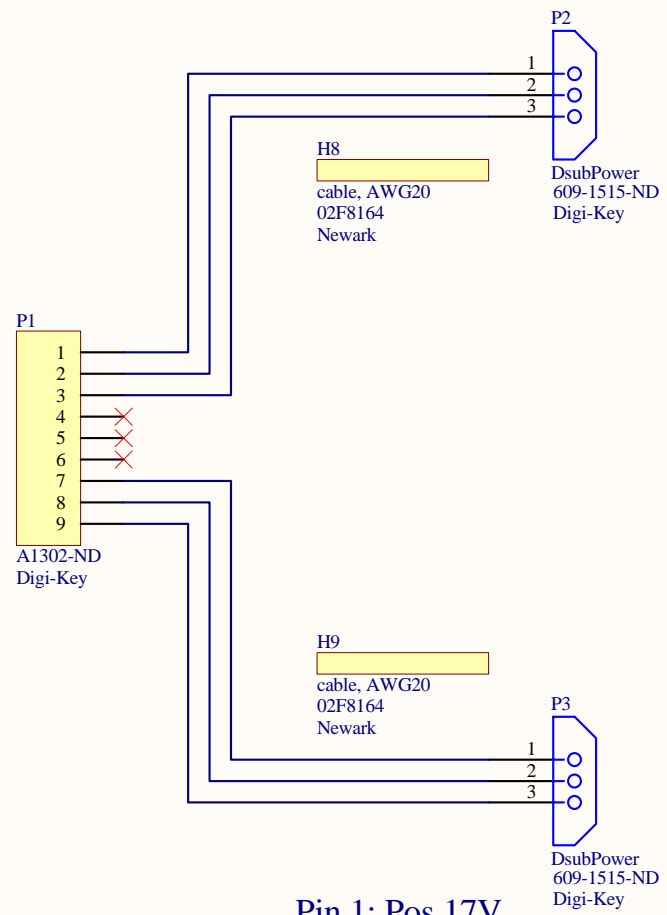




Pin 1: Pos 24V
 Pin 2: GND
 Pin 3: Neg 24V

- H1 CPC socket
- H2 CPC socket
- H3 CPC socket
- H4 CPC socket
- H5 CPC socket
- H6
- CPC socket
A1661-ND
Digi-key
- H7
CPC cable clamp R/A
A31209-ND
Digi-Key



Pin 1: Pos 17V
 Pin 2: GND
 Pin 3: Neg 17V

- H10
Metal Back Shell
87F3874
Newark
- H11 3W D-sub socket
- H12 3W D-Sub socket
- H13
3W3 D-sub socket
63K0593
Newark
- H14
Thumbscrew kit
98F5950
Newark

- H15
Metal Back Shell
87F3874
Newark
- H16 3W D-sub socket
- H17 3W D-Sub socket
- H18
3W3 D-sub socket
63K0593
Newark
- H19
Thumbscrew kit
98F5950
Newark

Title		
H1 Squeezer Power Cable		
Size	Number	Revision
A	D1001062	A
Date:	5/5/2010	Sheet 1 of 1
File:	C:\Documents and Settings\...\H1_SQZ_PwrCable.dwg	