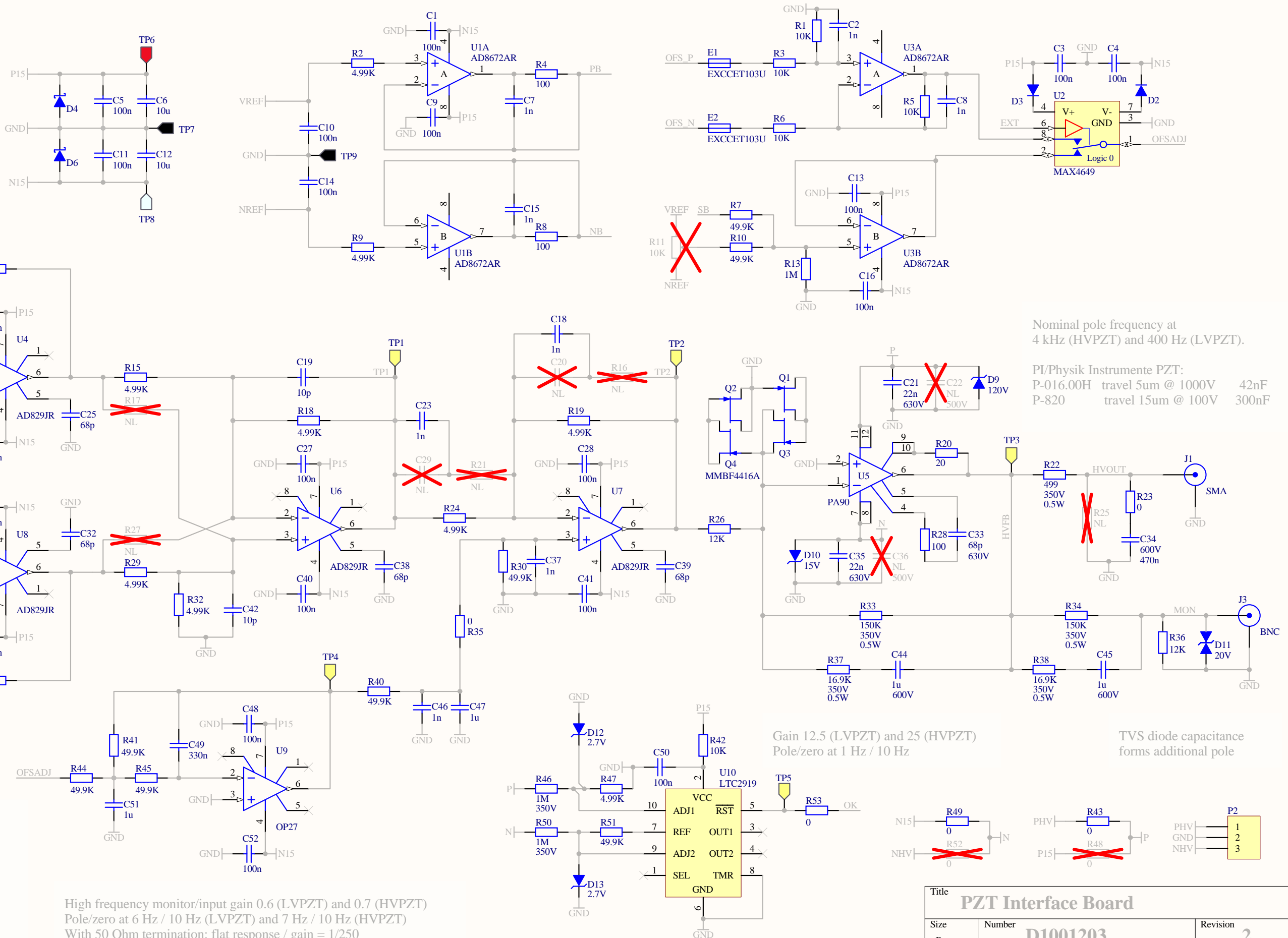


P15	1	2	GND
N15	3	4	GND
VREF	5	6	NREF
PB	7	8	NB
SB	9	10	OK
MON	11	12	EXT
OFS_P	13	14	OFS_N

09 18 514 7323



Nominal pole frequency at 4 kHz (HVPZT) and 400 Hz (LVPZT).
 PI/Physik Instrumente PZT:
 P-016.00H travel 5um @ 1000V 42nF
 P-820 travel 15um @ 100V 300nF

Gain 12.5 (LVPZT) and 25 (HVPZT)
 Pole/zero at 1 Hz / 10 Hz
 TVS diode capacitance forms additional pole

Positive: $V_{Trip} = (R45/R46 + 1) / 2$
 Negative: $V_{Trip} = (1 - R49/R50) / 2$

R46=4.99K: $V_{Trip} = +100V$
 R50=49.9K: $V_{Trip} = -9.5V$
 P46=2.10K: $V_{Trip} = +240V$
 R50=4.99K: $V_{Trip} = -100V$

High frequency monitor/input gain 0.6 (LVPZT) and 0.7 (HVPZT)
 Pole/zero at 6 Hz / 10 Hz (LVPZT) and 7 Hz / 10 Hz (HVPZT)
 With 50 Ohm termination: flat response / gain = 1/250

Title		
PZT Interface Board		
Size	Number	Revision
B	D1001203	2
Date:	6/30/2010	Sheet 1 of 1
File:	C:\Users\d...PZTDriverBoard1.SchDoc	Drawn By: Daniel Sigg