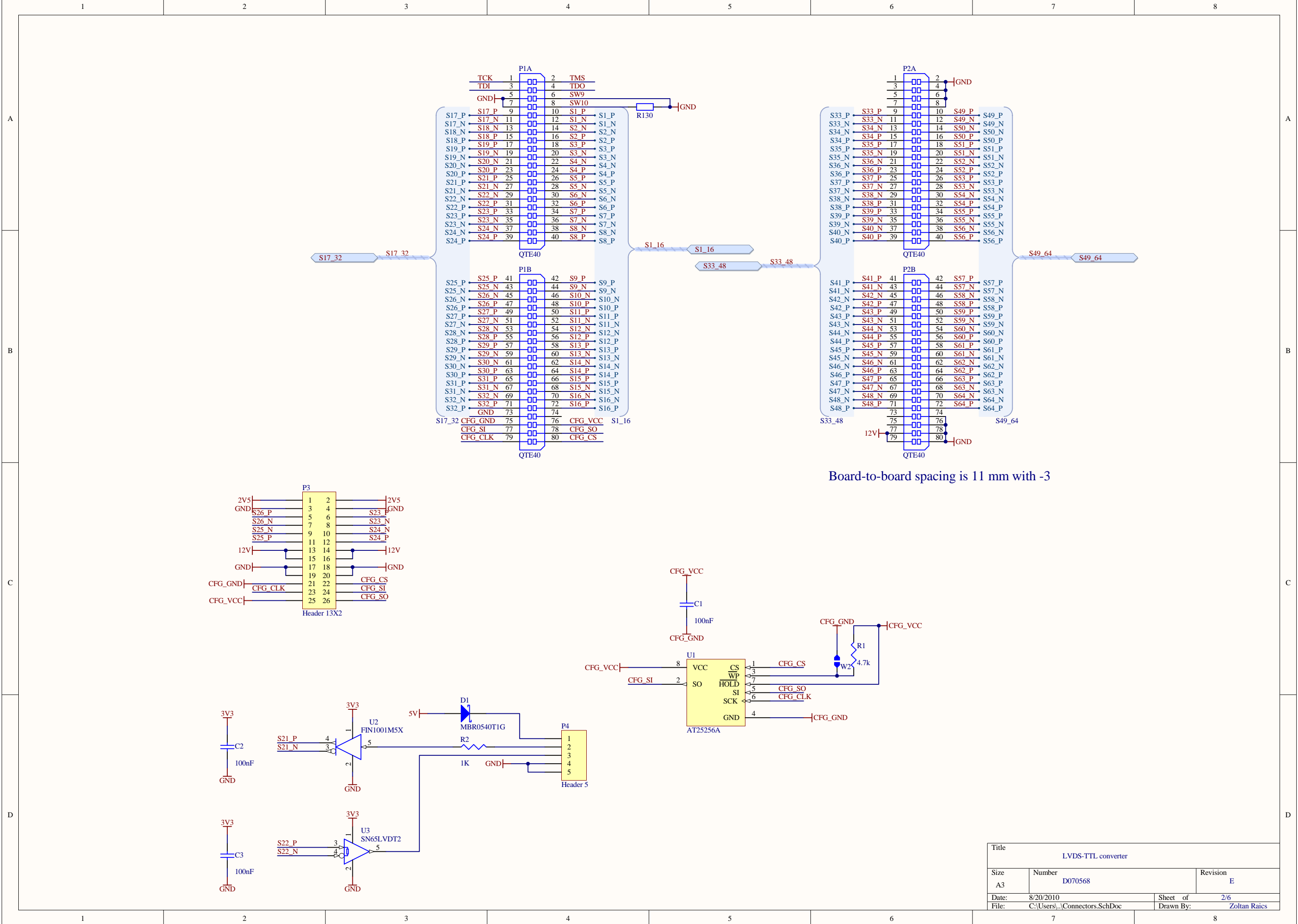
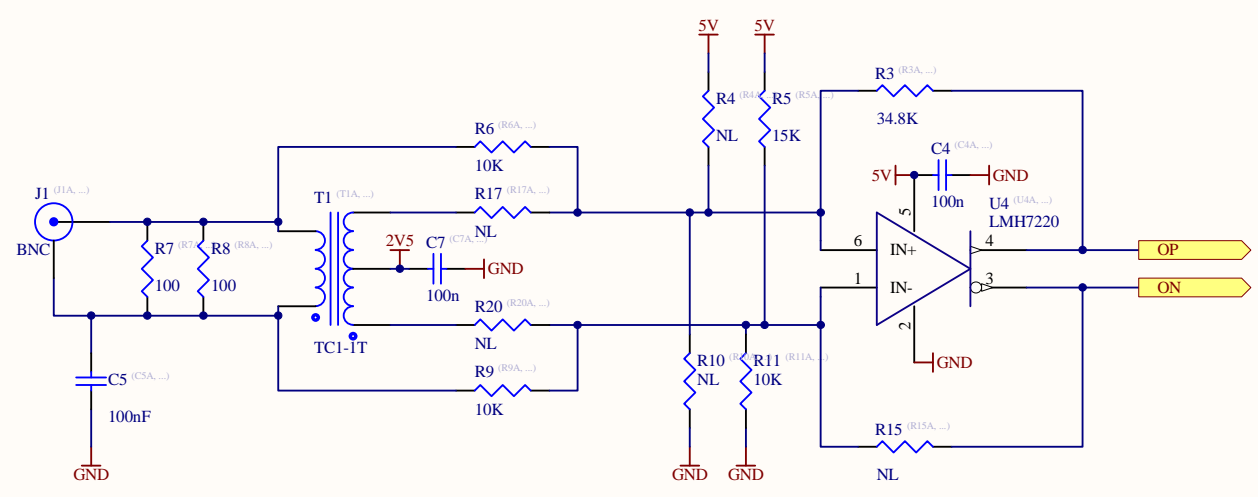


Title			LVDS-TTL converter		
Size	Number	Revision			
B	D070568	E			
Date:	8/20/2010	Sheet of	1/6		
File:	C:\Users\...\TopSheet.SchDoc	Drawn By:	Zoltan Raics		



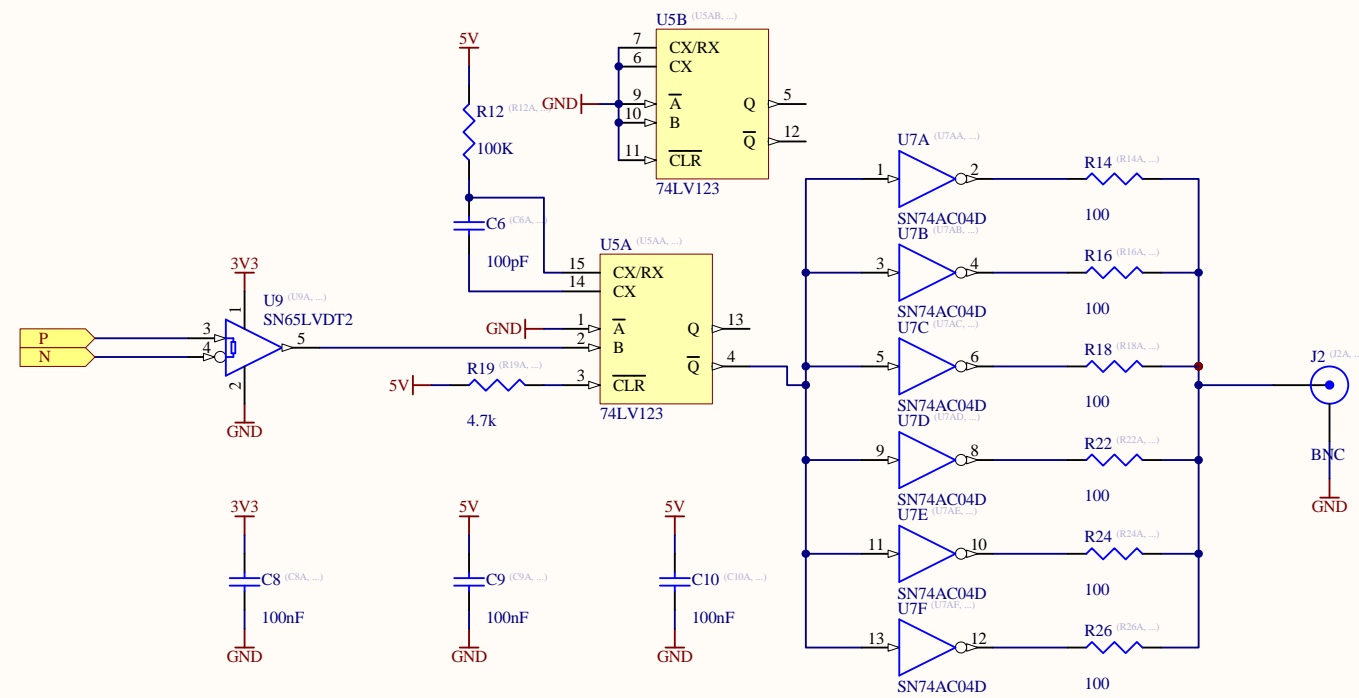
Board-to-board spacing is 11 mm with -3

Title			LVDS-TTL converter		
Size	Number	Revision		E	
A3	D070568				
Date:	8/20/2010	Sheet of	2/6		
File:	C:\Users\...\Connectors.SchDoc	Drawn By:	Zoltan Raics		

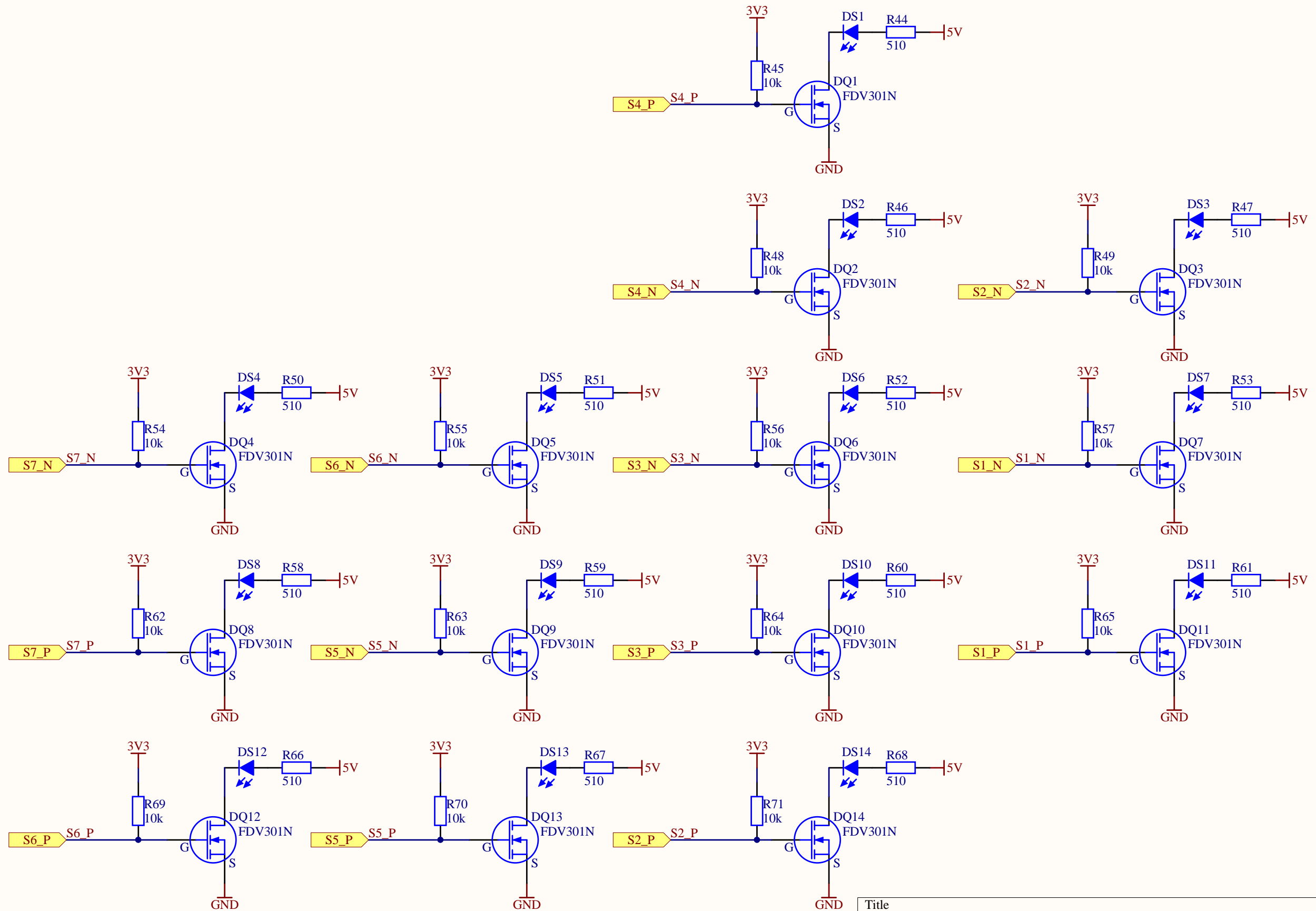


1PPS comparator: Threshold = 2V (TTL)
 Frequency counter: Threshold = 0V (RF)

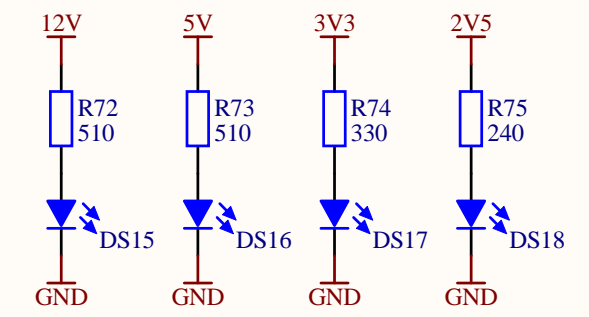
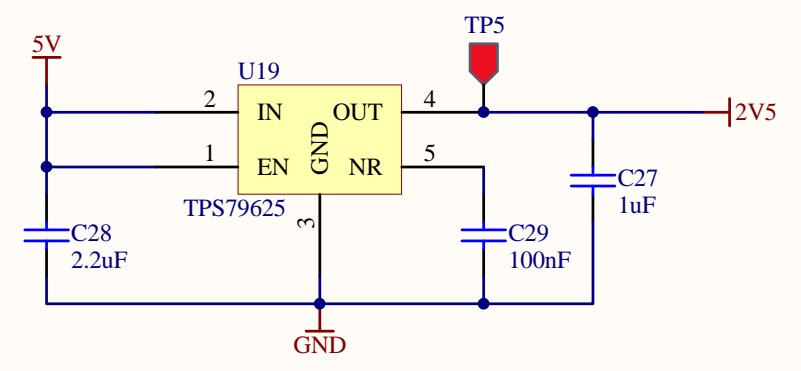
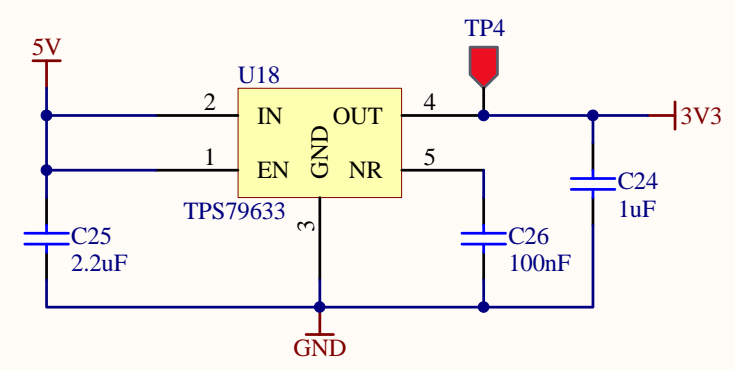
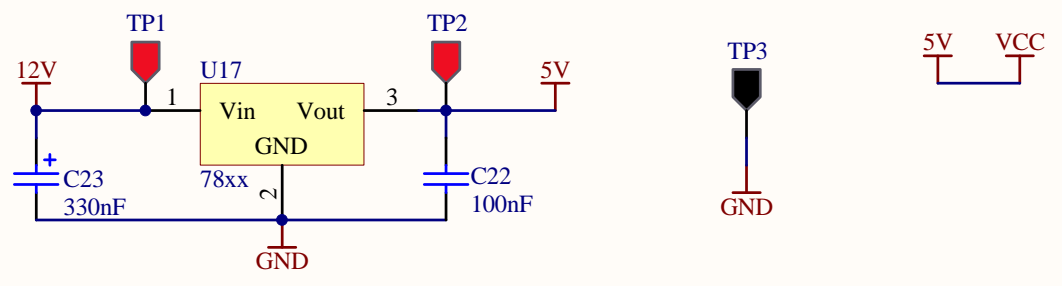
Title		
LVDS-TTL converter		
Size	Number	Revision
A3	D070568	E
Date:	8/20/2010	Sheet of 3/6
File:	C:\Users\...\TTL-LVDS.SchDoc	Drawn By: Zoltan Raics



Title		
LVDS-TTL converter		
Size	Number	Revision
A3	D070568	E
Date:	8/20/2010	Sheet of 4/6
File:	C:\Users\...\LVDS-TTL.SchDoc	Drawn By: Zoltan Raics



Title			LVDS-TTL converter		
Size	Number			Revision	
A4	D070568			E	
Date:	8/20/2010	Sheet of		5/6	
File:	C:\Users\...\LEDs.SchDoc	Drawn By:		Zoltan Raics	



Title			
LVDS-TTL converter			
Size	Number	Revision	
A4	D070568	E	
Date:	8/20/2010	Sheet of 6/6	
File:	C:\Users\...\PowerSupply.SchDoc	Drawn By: Zoltan Raics	