



S1\_16  
 S1\_P S1\_P  
 S1\_N S1\_N  
 S2\_N S2\_N  
 S2\_P S2\_P  
 S3\_P S3\_P  
 S3\_N S3\_N  
 S4\_N S4\_N  
 S4\_P S4\_P  
 S5\_P S5\_P  
 S5\_N S5\_N  
 S6\_N S6\_N  
 S6\_P S6\_P  
 S7\_P S7\_P  
 S7\_N S7\_N  
 S8\_N S8\_N  
 S8\_P S8\_P

S1\_16

S9\_P S9\_P  
 S9\_N S9\_N  
 S10\_N S10\_N  
 S10\_P S10\_P  
 S11\_P S11\_P  
 S11\_N S11\_N  
 S12\_N S12\_N  
 S12\_P S12\_P  
 S13\_P S13\_P  
 S13\_N S13\_N  
 S14\_N S14\_N  
 S14\_P S14\_P  
 S15\_P S15\_P  
 S15\_N S15\_N  
 S16\_N S16\_N  
 S16\_P S16\_P

S17\_32  
 S17\_P S17\_P  
 S17\_N S17\_N  
 S18\_N S18\_N  
 S18\_P S18\_P  
 S19\_P S19\_P  
 S19\_N S19\_N  
 S20\_P S20\_P  
 S20\_N S20\_N  
 S21\_P S21\_P  
 S21\_N S21\_N  
 S22\_N S22\_N  
 S22\_P S22\_P  
 S23\_P S23\_P  
 S23\_N S23\_N  
 S24\_N S24\_N  
 S24\_P S24\_P

S17\_32

S25\_P S25\_P  
 S25\_N S25\_N  
 S26\_P S26\_P  
 S26\_N S26\_N  
 S27\_P S27\_P  
 S27\_N S27\_N  
 S28\_N S28\_N  
 S28\_P S28\_P  
 S29\_P S29\_P  
 S29\_N S29\_N  
 S30\_N S30\_N  
 S30\_P S30\_P  
 S31\_P S31\_P  
 S31\_N S31\_N  
 S32\_N S32\_N  
 S32\_P S32\_P

S33\_48  
 S33\_P S33\_P  
 S33\_N S33\_N  
 S34\_N S34\_N  
 S34\_P S34\_P  
 S35\_P S35\_P  
 S35\_N S35\_N  
 S36\_N S36\_N  
 S36\_P S36\_P  
 S37\_P S37\_P  
 S37\_N S37\_N  
 S38\_N S38\_N  
 S38\_P S38\_P  
 S39\_P S39\_P  
 S39\_N S39\_N  
 S40\_N S40\_N  
 S40\_P S40\_P

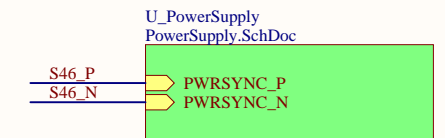
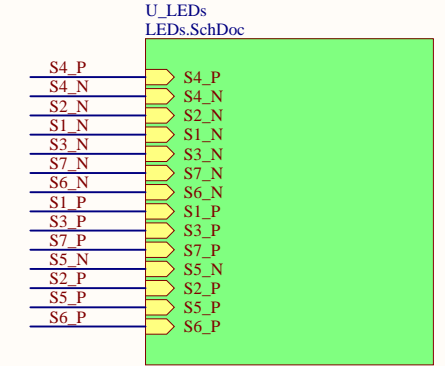
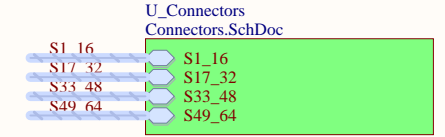
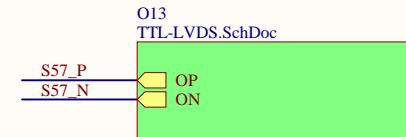
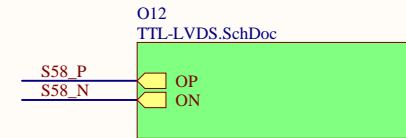
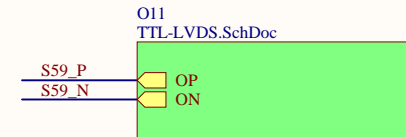
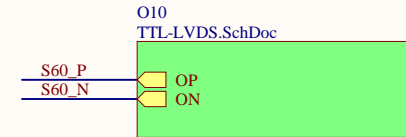
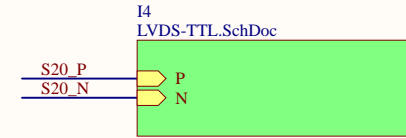
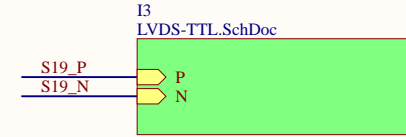
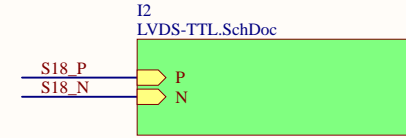
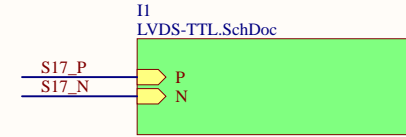
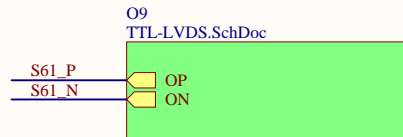
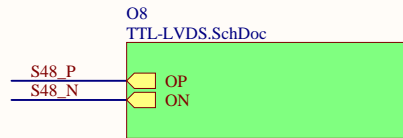
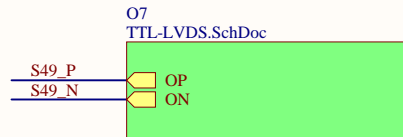
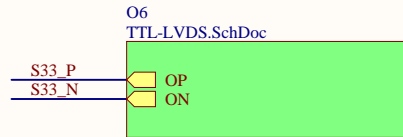
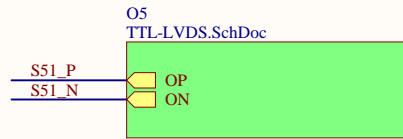
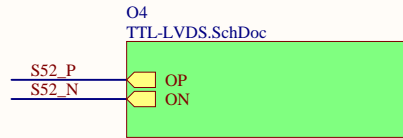
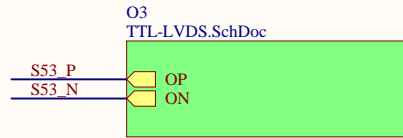
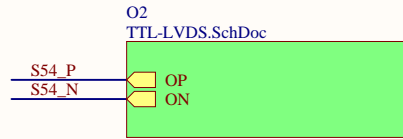
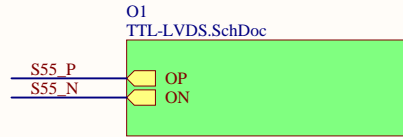
S33\_48

S41\_P S41\_P  
 S41\_N S41\_N  
 S42\_N S42\_N  
 S42\_P S42\_P  
 S43\_P S43\_P  
 S43\_N S43\_N  
 S44\_N S44\_N  
 S44\_P S44\_P  
 S45\_P S45\_P  
 S45\_N S45\_N  
 S46\_N S46\_N  
 S46\_P S46\_P  
 S47\_P S47\_P  
 S47\_N S47\_N  
 S48\_N S48\_N  
 S48\_P S48\_P

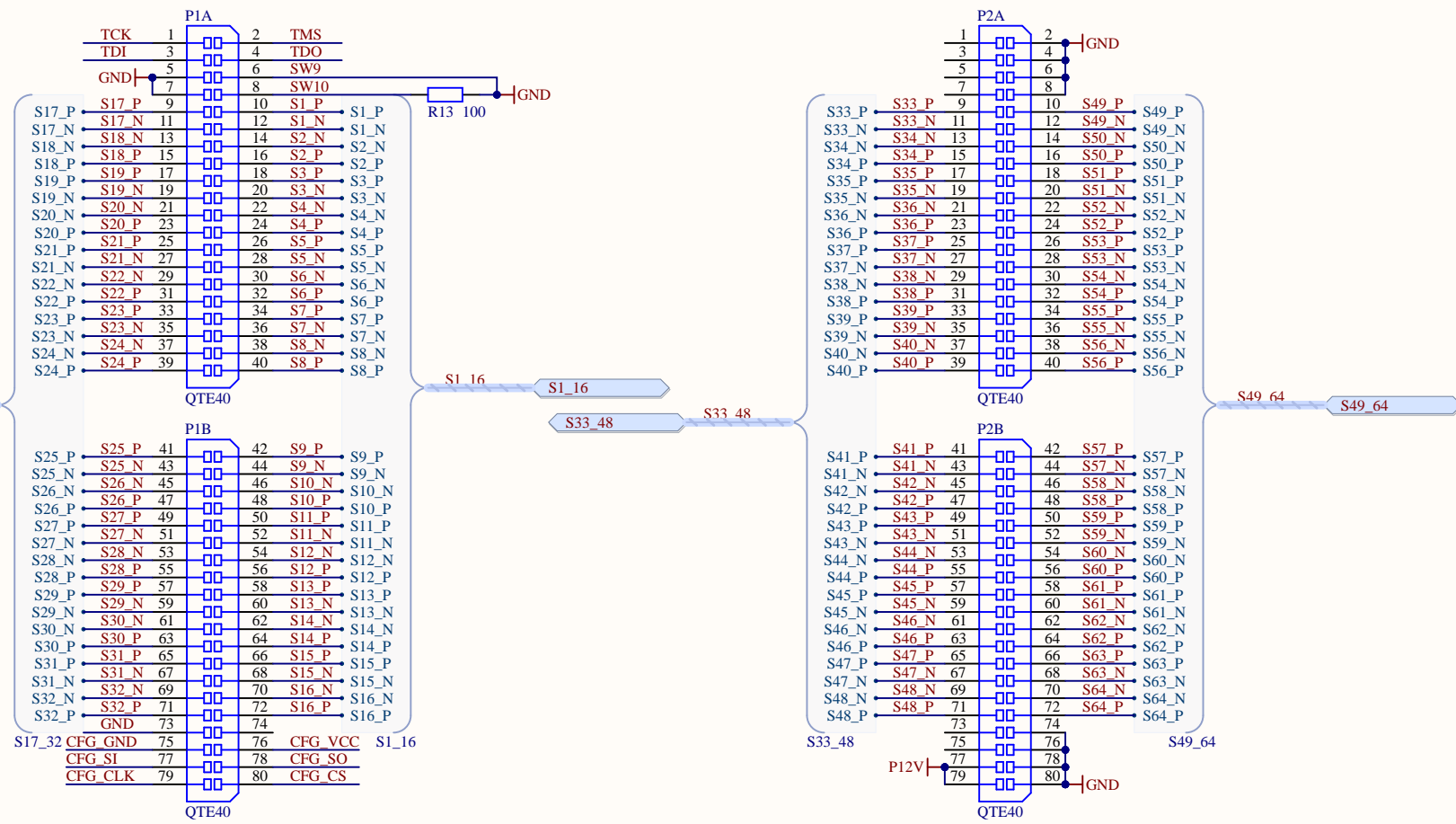
S49\_64

S49\_64  
 S49\_P S49\_P  
 S49\_N S49\_N  
 S50\_N S50\_N  
 S50\_P S50\_P  
 S51\_P S51\_P  
 S51\_N S51\_N  
 S52\_N S52\_N  
 S52\_P S52\_P  
 S53\_P S53\_P  
 S53\_N S53\_N  
 S54\_N S54\_N  
 S54\_P S54\_P  
 S55\_P S55\_P  
 S55\_N S55\_N  
 S56\_N S56\_N  
 S56\_P S56\_P

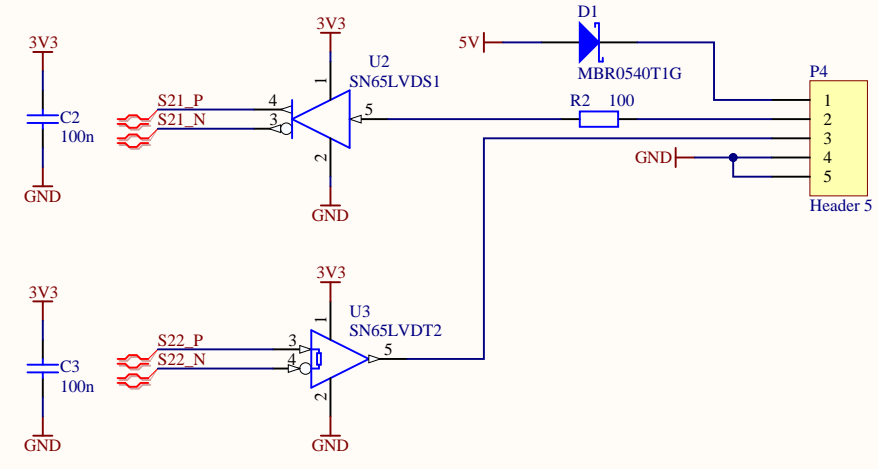
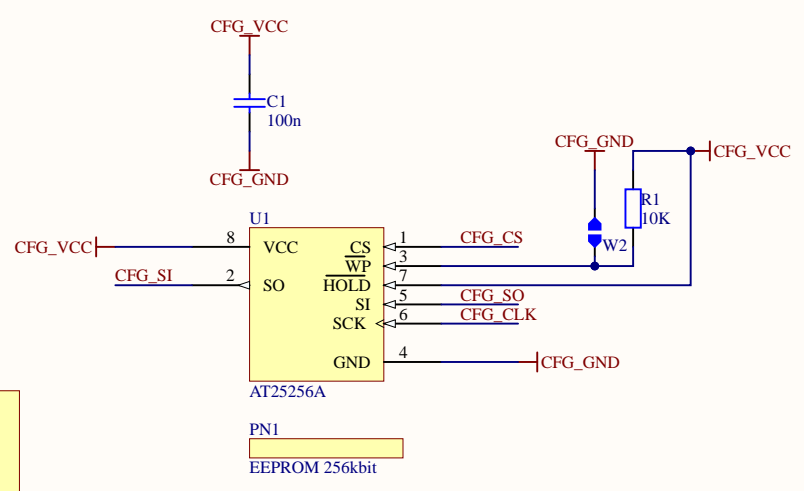
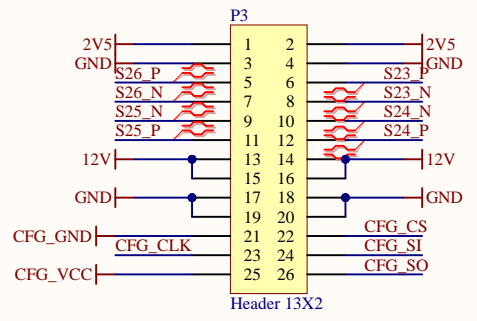
S57\_P S57\_P  
 S57\_N S57\_N  
 S58\_N S58\_N  
 S58\_P S58\_P  
 S59\_P S59\_P  
 S59\_N S59\_N  
 S60\_N S60\_N  
 S60\_P S60\_P  
 S61\_P S61\_P  
 S61\_N S61\_N  
 S62\_N S62\_N  
 S62\_P S62\_P  
 S63\_P S63\_P  
 S63\_N S63\_N  
 S64\_N S64\_N  
 S64\_P S64\_P



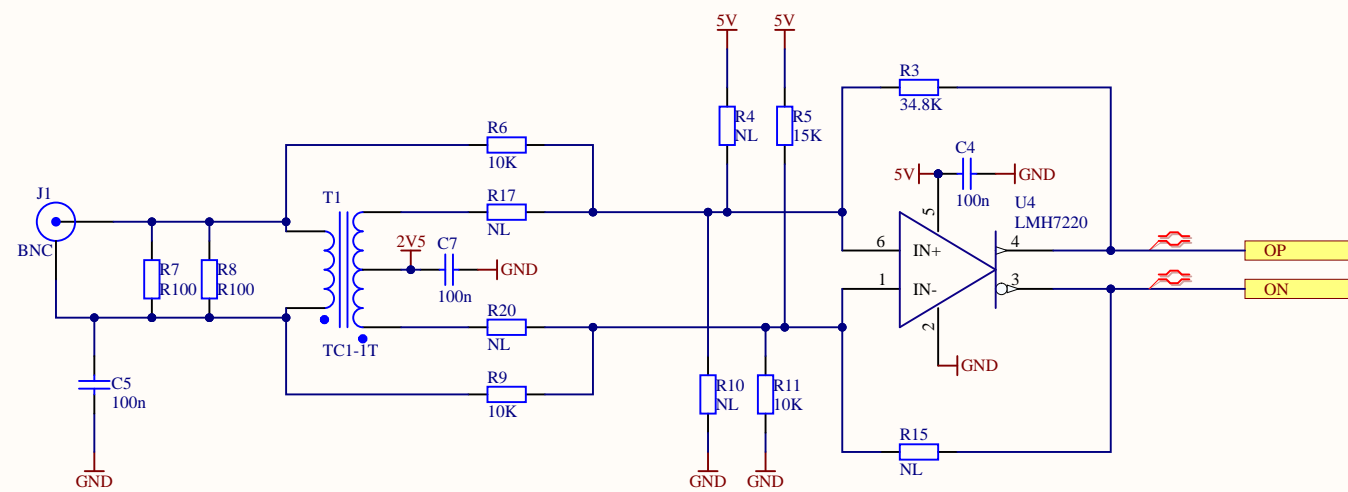
Title		
LVDS-TTL converter		
Size	Number	Revision
B	D070568	4
Date:	5/06/2021	Sheet of 1/6
File:	C:\Users\...\TopSheet.SchDoc	Drawn By: Zoltan Raics



Board-to-board spacing is 11 mm with -3

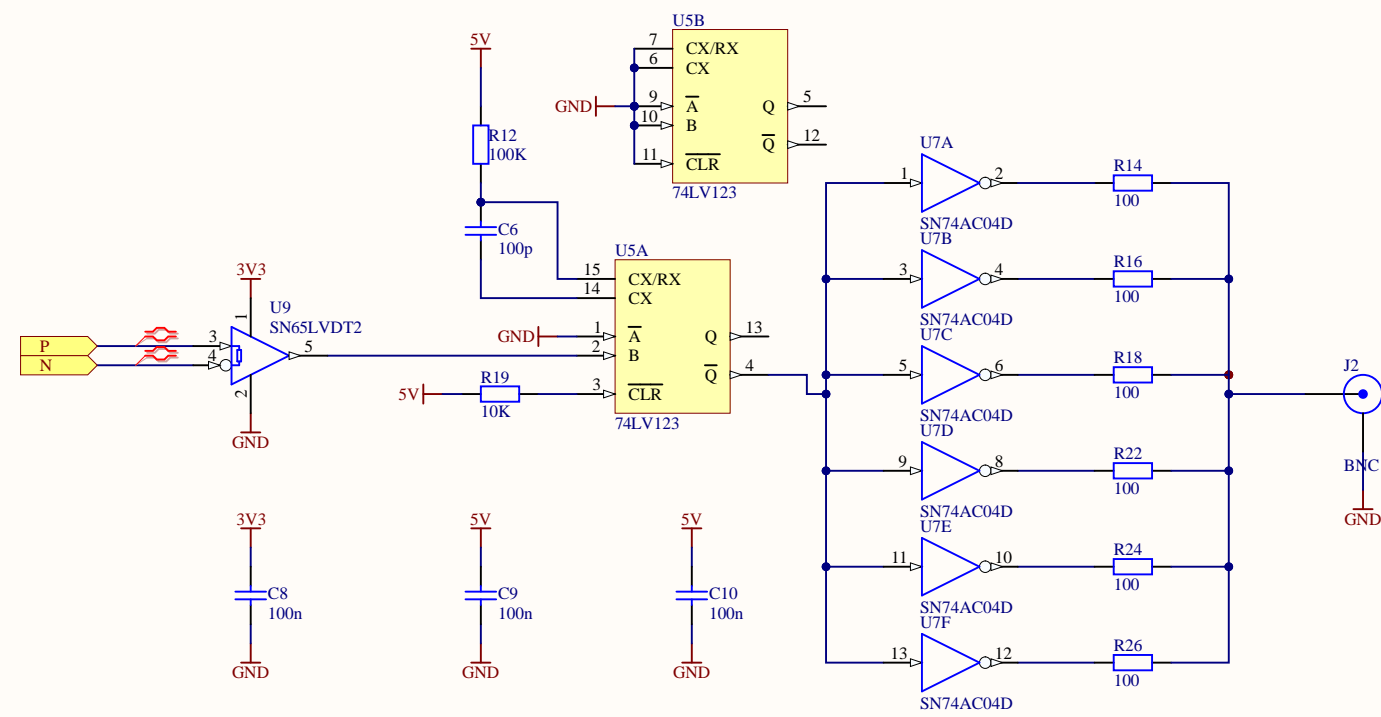


Title			LVDS-TTL converter		
Size	Number	Revision			
A3	D070568	4			
Date:	5/06/2021	Sheet of	2/6		
File:	C:\Users\...\Connectors.SchDoc	Drawn By:	Zoltan Raics		



1PPS comparator: Threshold = 2V (TTL)  
 Frequency counter: Threshold = 0V (RF)

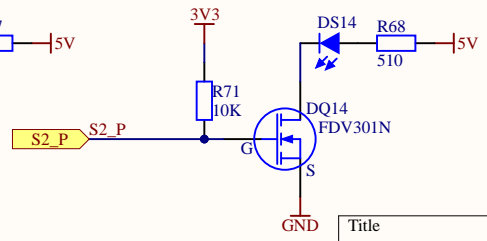
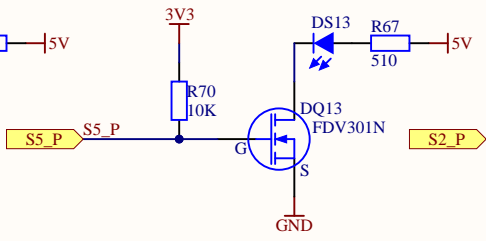
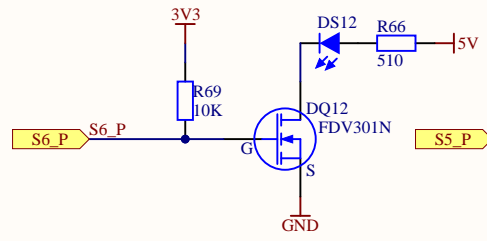
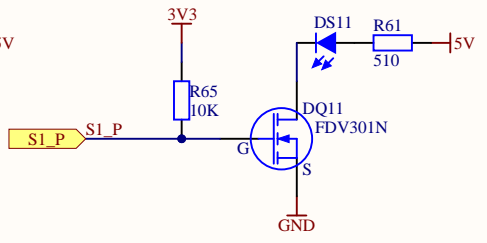
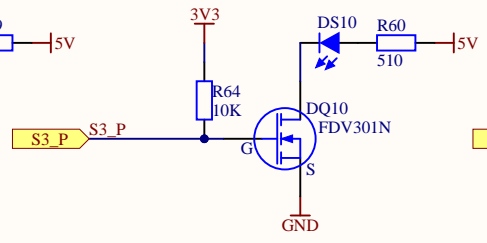
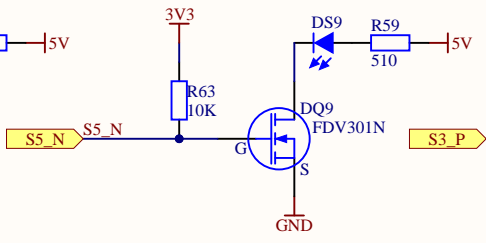
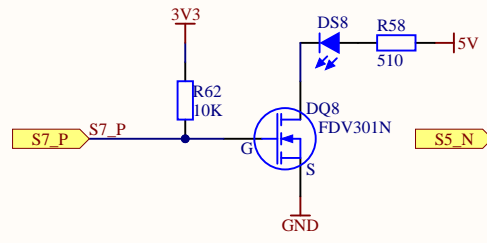
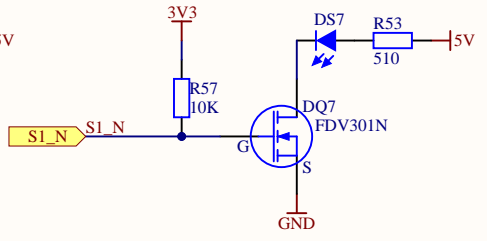
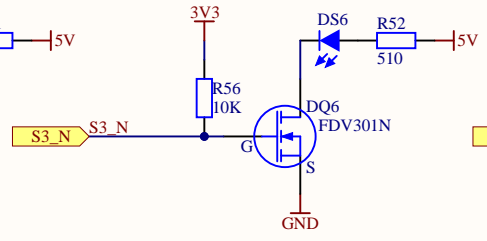
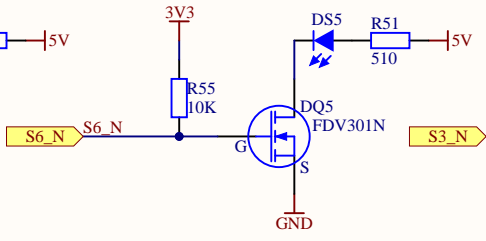
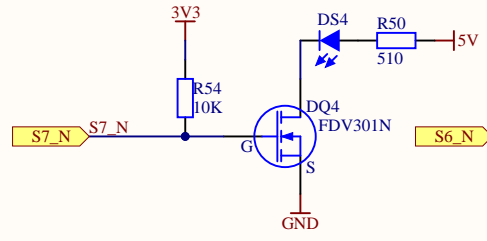
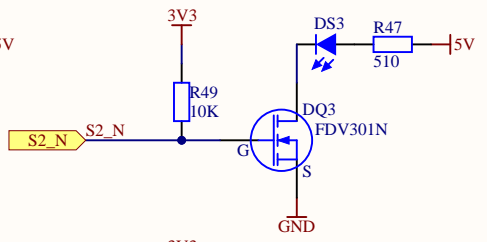
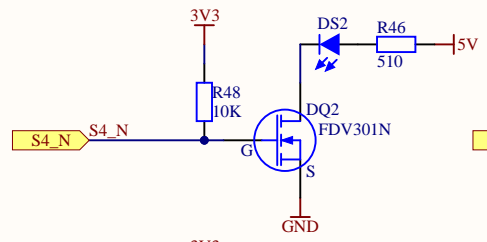
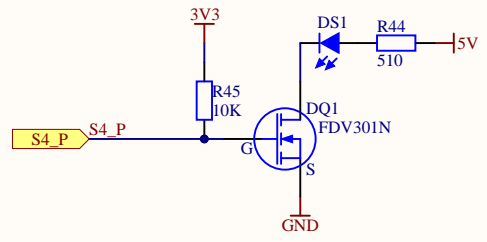
Title		
LVDS-TTL converter		
Size	Number	Revision
A3	D070568	4
Date:	5/06/2021	Sheet of 3/6
File:	C:\Users\...\TTL-LVDS.SchDoc	Drawn By: Zoltan Raics



Title		
LVDS-TTL converter		
Size	Number	Revision
A3	D070568	4
Date:	5/06/2021	Sheet of 4/6
File:	C:\Users\...\LVDS-TTL.SchDoc	Drawn By: Zoltan Raics

A

A



B

B

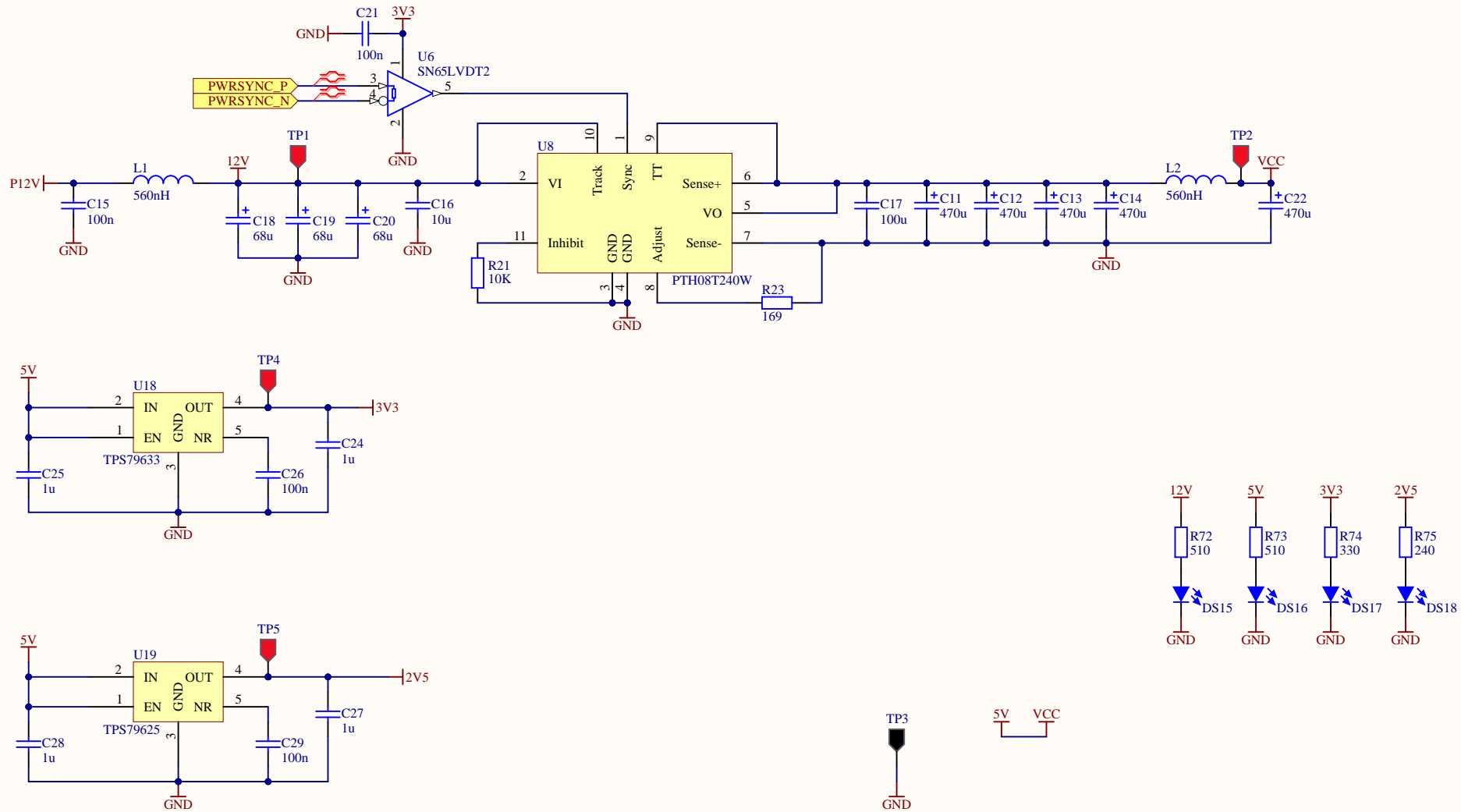
C

C

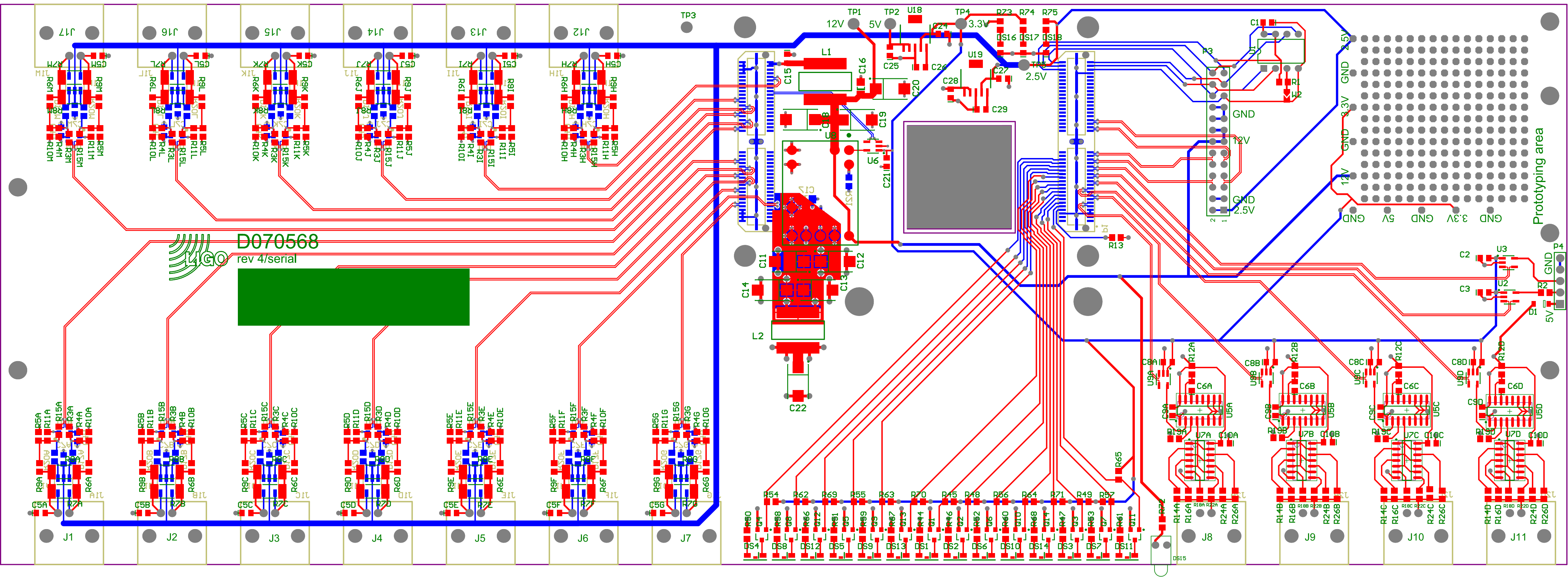
D

D

Title			LVDS-TTL converter		
Size	Number			Revision	
A4	D070568			4	
Date:	5/06/2021	Sheet of	5/6		
File:	C:\Users\...\LEDs.SchDoc	Drawn By:	Zoltan Raics		



Title		
LVDS-TTL converter		
Size	Number	Revision
A4	D070568	4
Date:	5/06/2021	Sheet of 6/6
File:	C:\Users\...\PowerSupply.SchDoc	Drawn By: Zoltan Raics



**D070568**  
rev 4/serial

Prototyping area