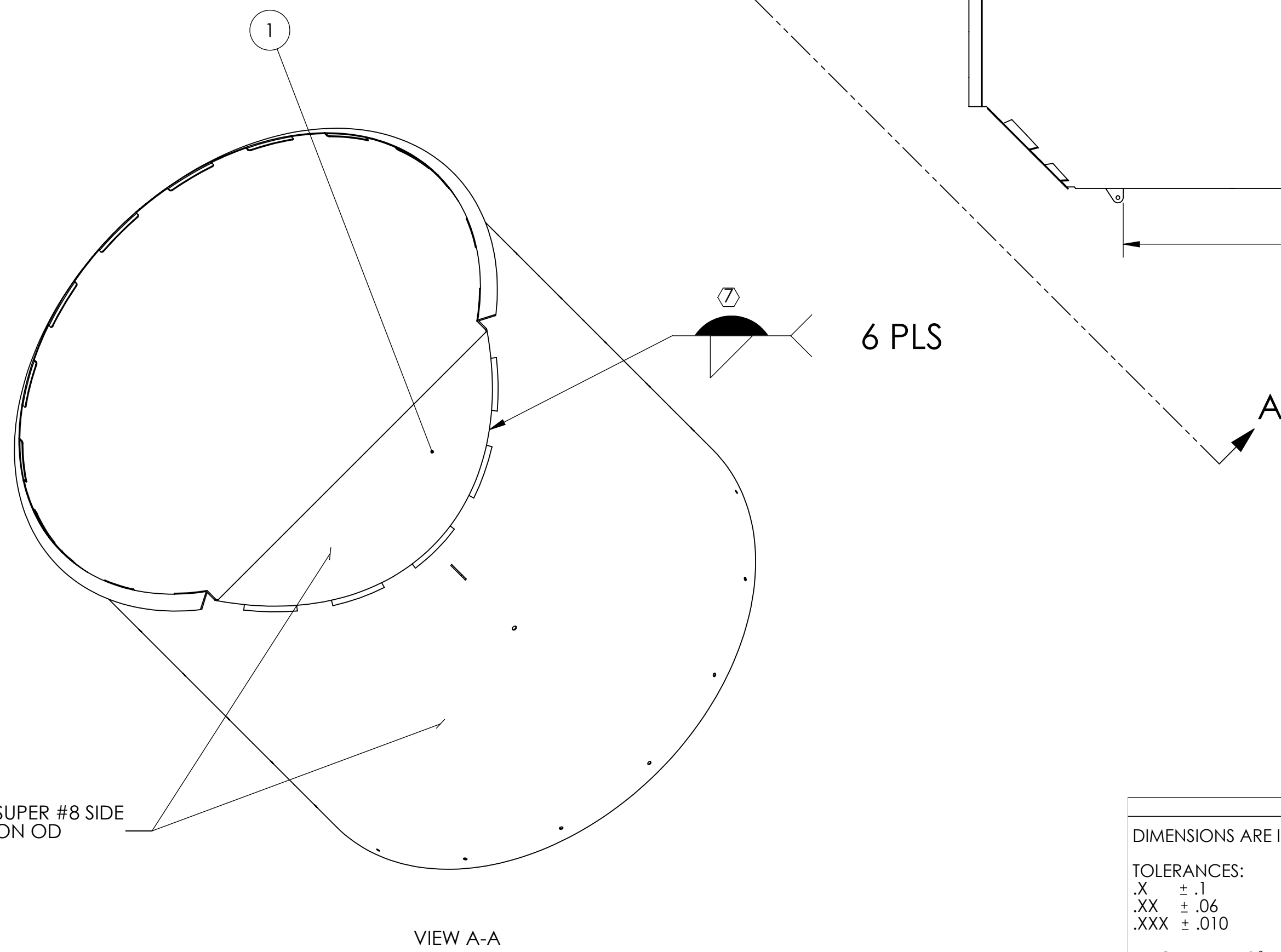
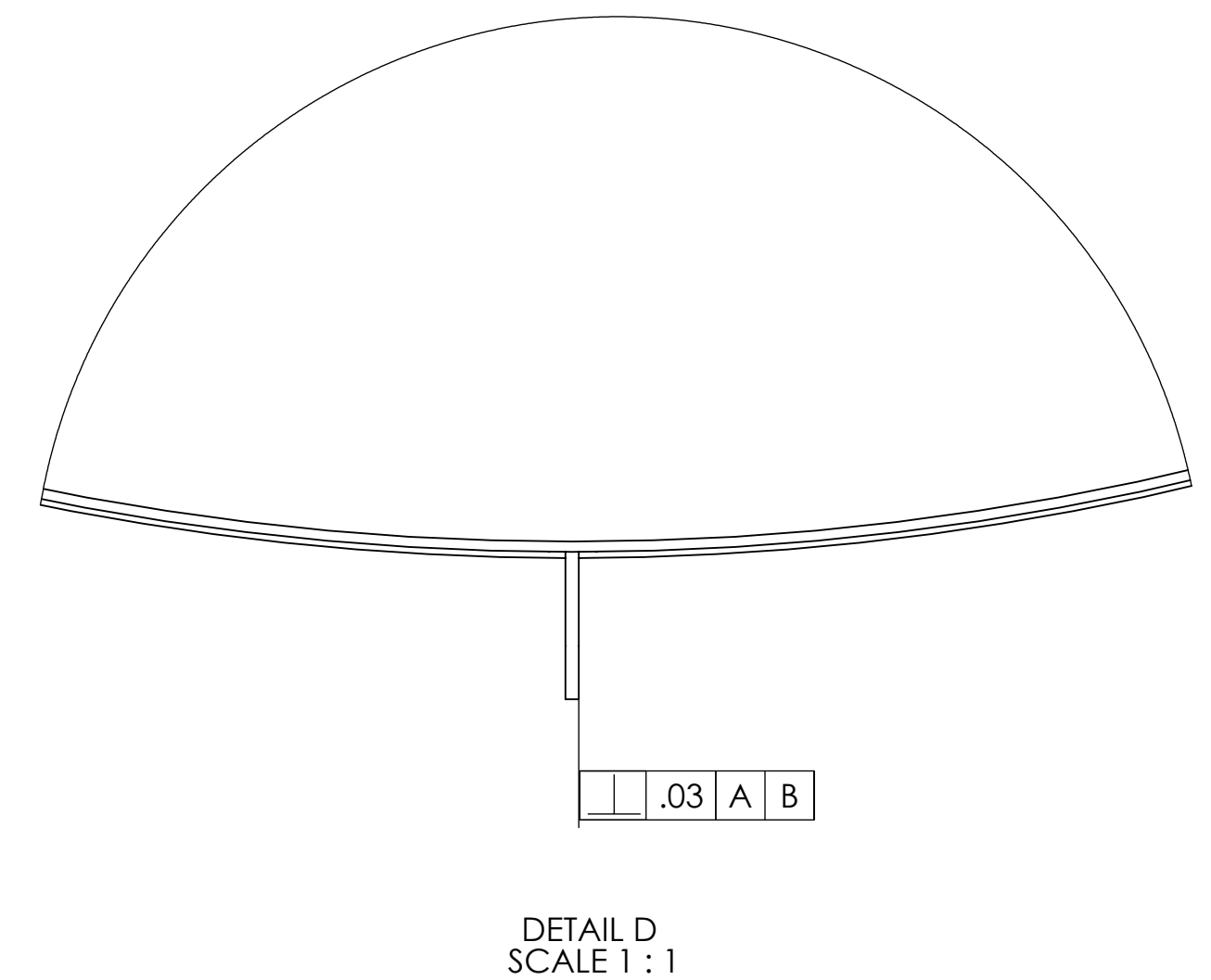
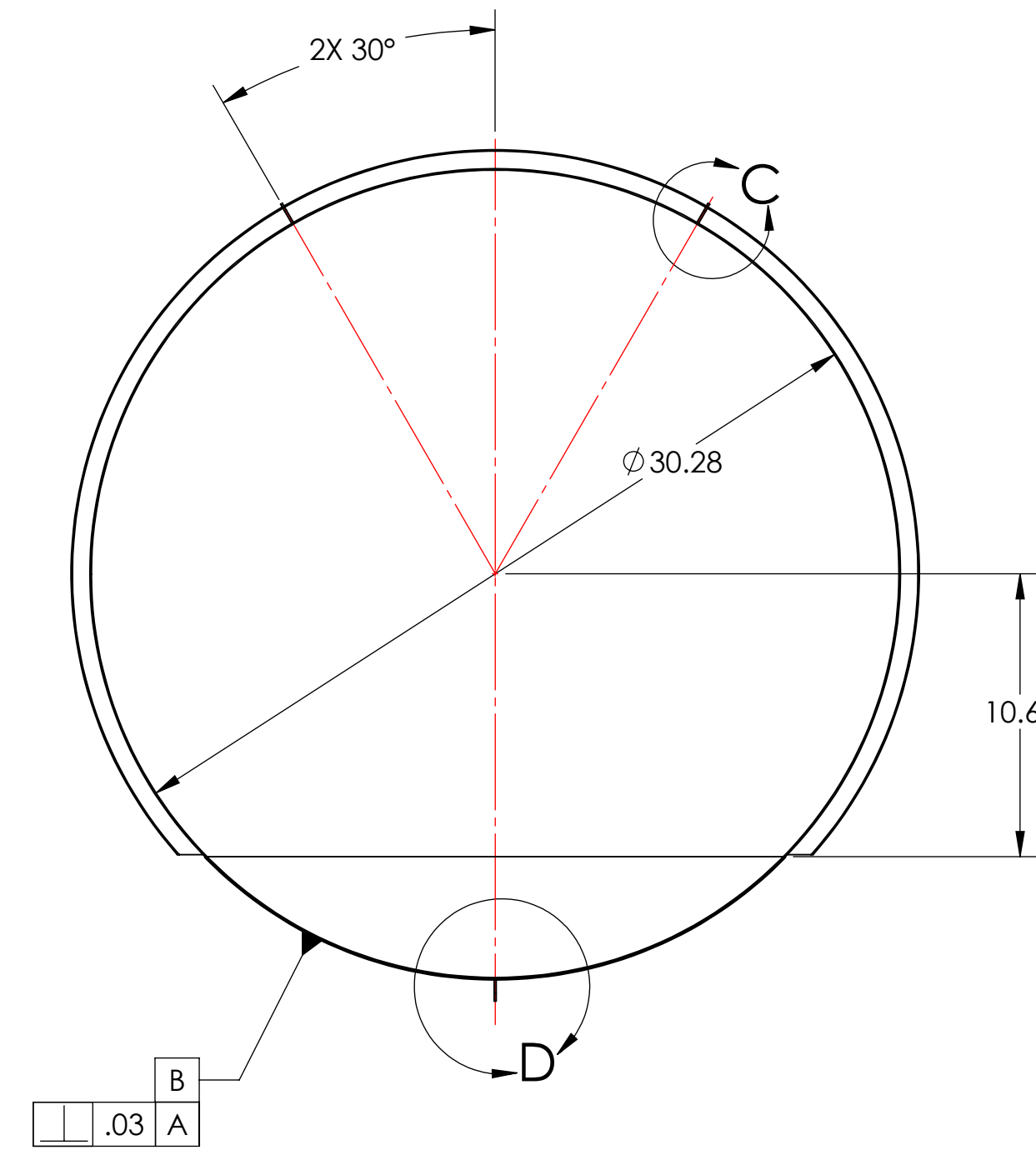
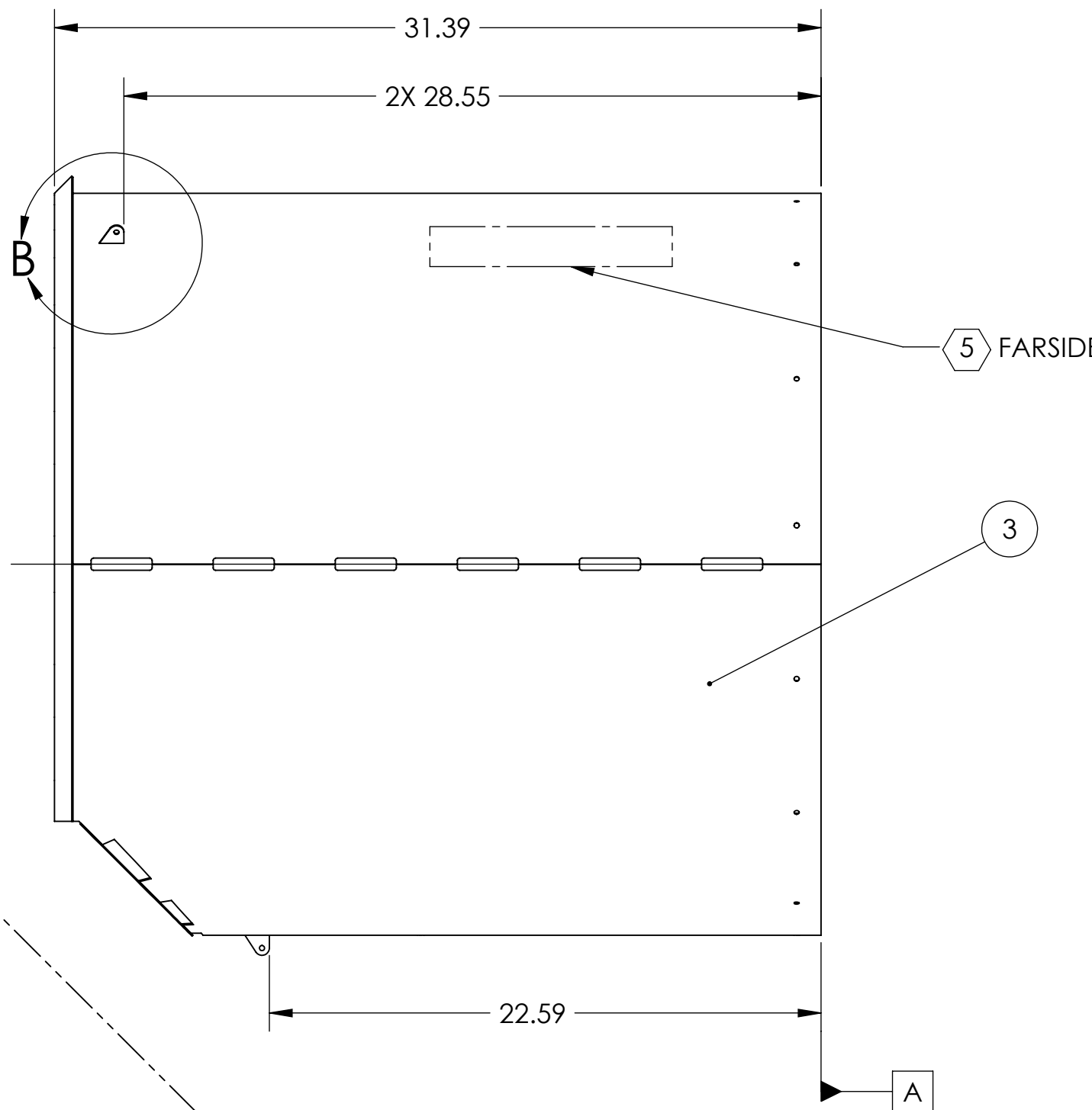
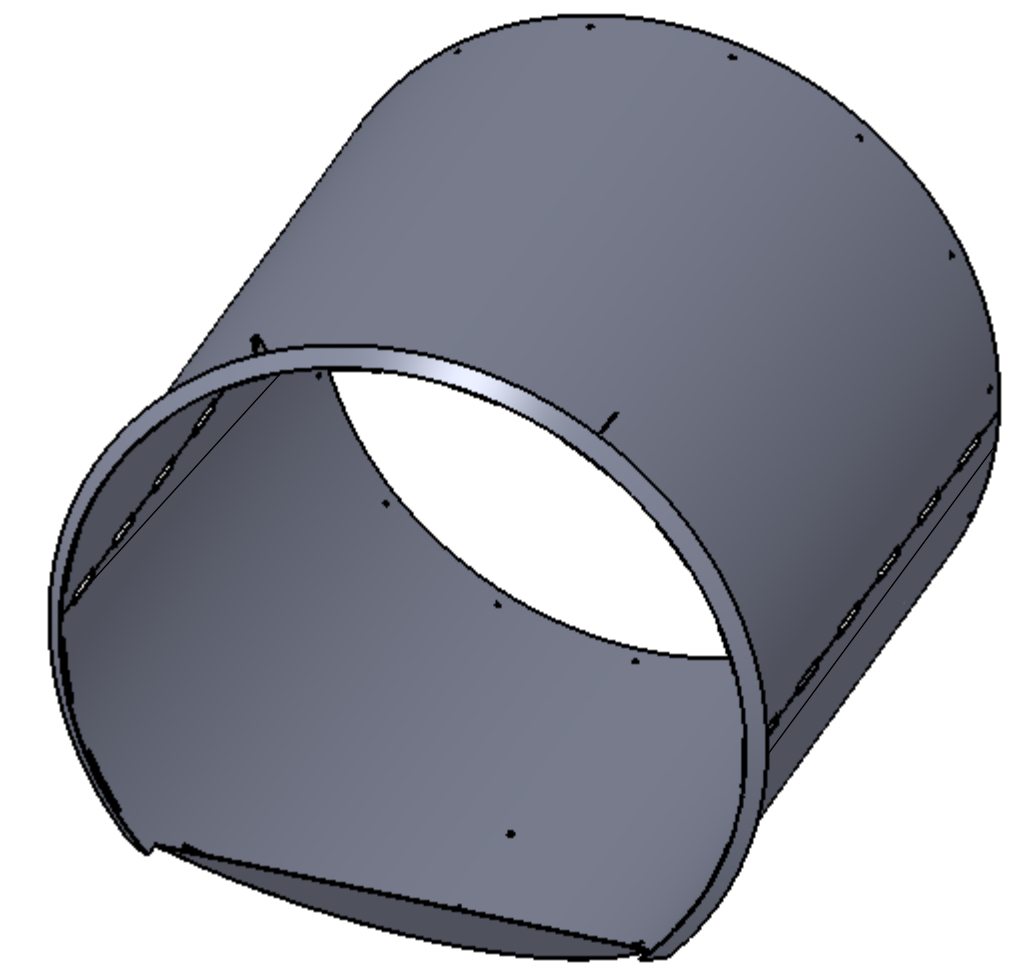
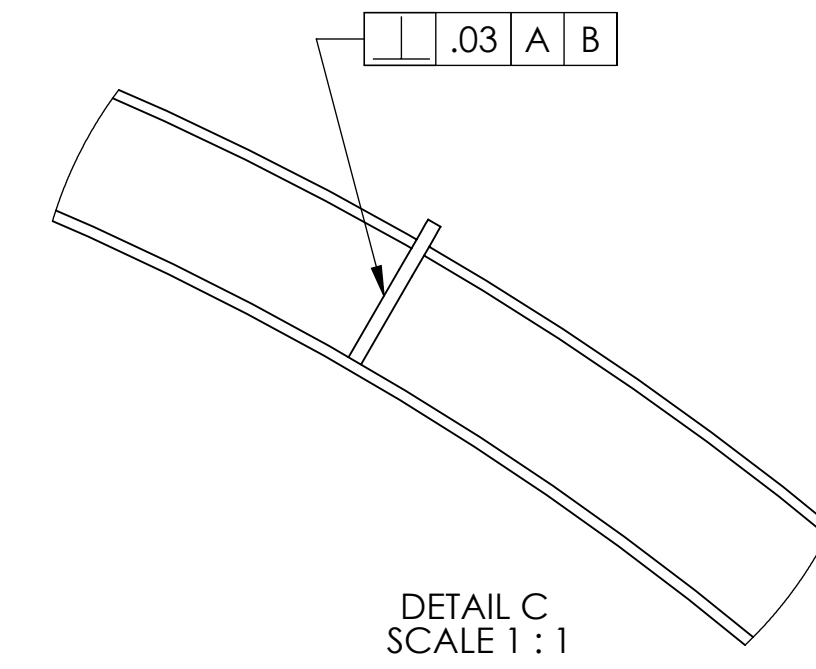
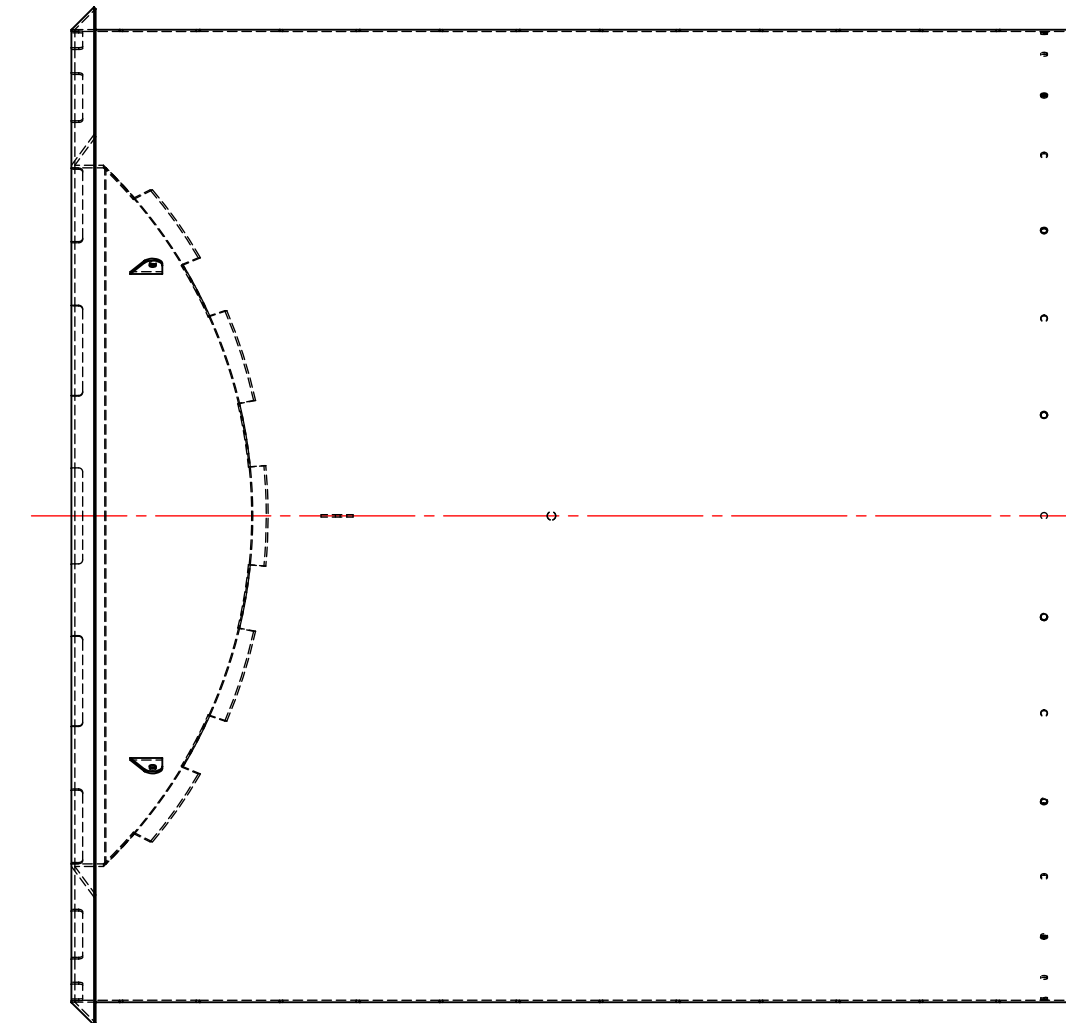
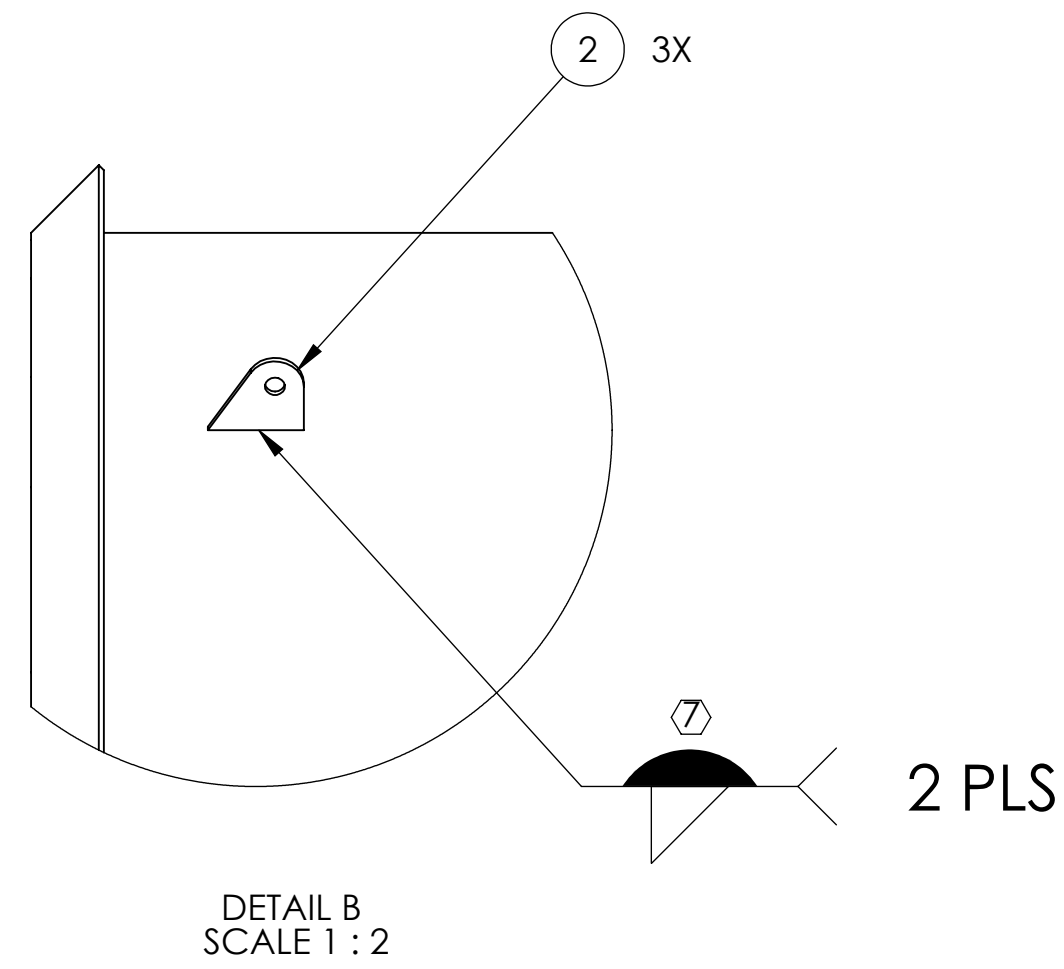


NOTES CONTINUED:  
 ⑤ DELETED.  
 6. ASSEMBLY TO BE OXIDIZED AFTER WELDMENT IS COMPLETED PER SPECIFICATION ET1100842.  
 ⑦ FILLET WELD WHERE ITEMS ① & ③ AND ③ & ② MAKE CONTACT. WELDING MUST BE PER SPECIFICATION E0900048.

| REV. | DATE        | DCN #       | DRAWING TREE # |
|------|-------------|-------------|----------------|
| v1   | 20 MAY 2010 | E1000360    | E1000367       |
| v2   | 11 MAY 2011 | E1000360-v2 | -              |
| v3   | 3 OCT 2011  | E1000360-v3 | -              |



| ITEM NO. | PART NUMBER | DESCRIPTION                   | MATERIAL          | REQ | SPARE | TOTAL |
|----------|-------------|-------------------------------|-------------------|-----|-------|-------|
| 3        | D1000570    | MANIFOLD-CRYO BAFFLE CYLINDER | 18 GAUGE 304 SSTL | 1   |       | 1     |
| 2        | D1000536    | BAFFLE BRACE BRACKET          | 14 GAUGE 304 SSTL | 3   |       | 3     |
| 1        | D1001018    | ELLIPSE SCRAPER BLADE         | 18 GAUGE 304 SSTL | 1   |       | 1     |

NOTES AND TOLERANCES: (UNLESS OTHERWISE SPECIFIED)

- INTERPRET DRAWING PER ASME Y14.5-1994.
- REMOVE ALL SHARP EDGES .005-.015 ON ALL EDGES AND HOLES.
- DO NOT SCALE FROM DRAWING.
- ALL MACHINING FLUIDS MUST BE FULLY SYNTHETIC, FULLY WATER SOLUBLE AND FREE OF SULFUR, SILICONE, AND CHLORINE.

TOLERANCES:  
 .X ± .1  
 .XX ± .06  
 .XXX ± .010

ANGULAR ± 1.0°

MATERIAL: N/A  
 FINISH: N/A

SYSTEM: ADVANCED LIGO  
 SUB-SYSTEM: AOS  
 NEXT ASSY: D1101398, D1003183, D1003221

PART NAME: MANIFOLD-CRYO BAFFLE CYLINDER-SCRAPER ASSEMBLY

|          |            |             |       |     |            |          |              |    |
|----------|------------|-------------|-------|-----|------------|----------|--------------|----|
| DESIGNER | H. KELMAN  | 25 MAY 2010 | SIZE  | D   | DWG. NO.   | D1001348 | REV.         | v3 |
| DRAFTER  | TG. NGUYEN | 07 SEP 2010 | SCALE | 1:6 | PROJECTION |          | SHEET 1 OF 1 |    |
| CHECKER  | M. SMITH   | 27 JUL 2011 |       |     |            |          |              |    |
| APPROVAL | D. COYNE   |             |       |     |            |          |              |    |