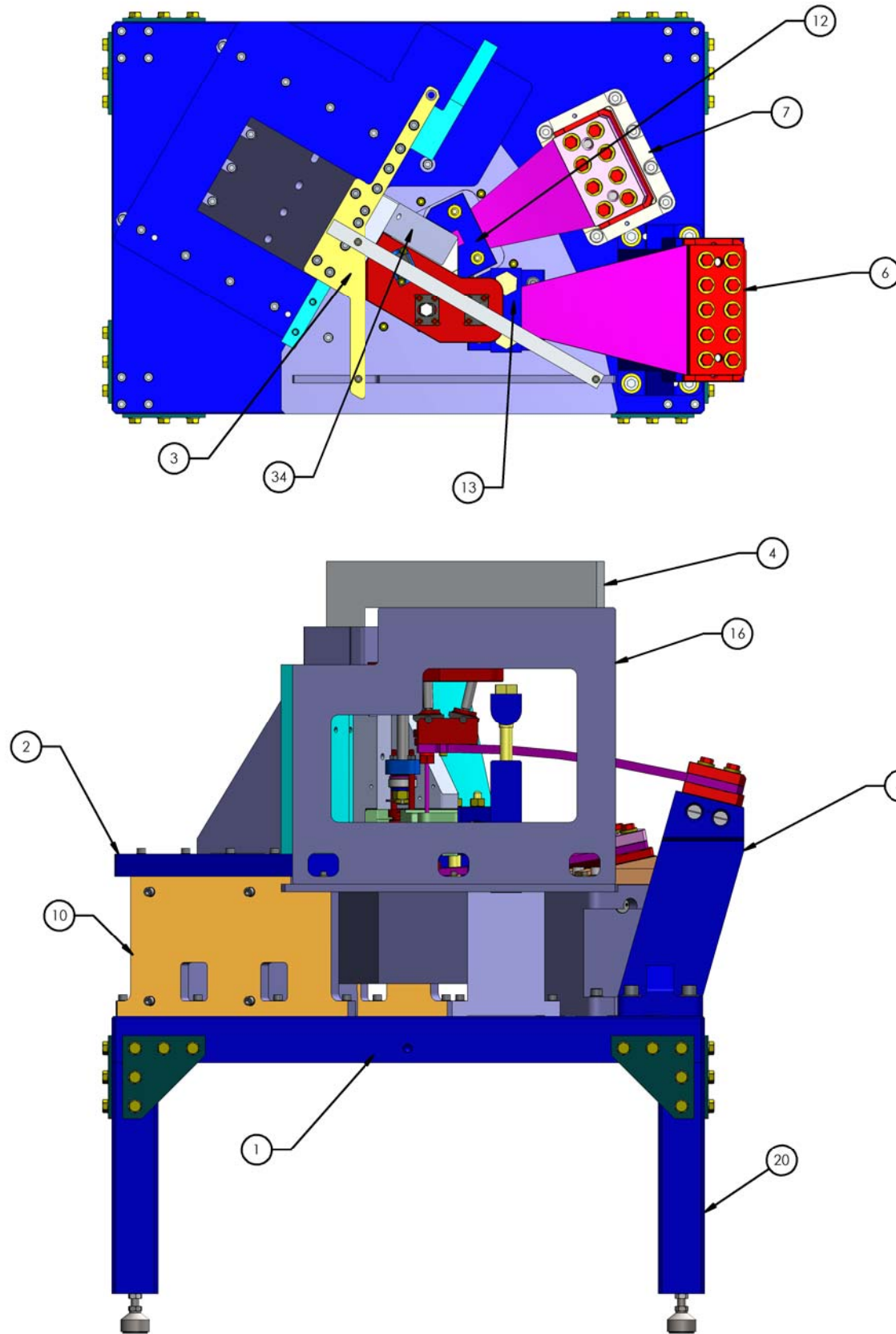


**NOTES CONTINUED:**  
 5. VENDOR REFERENCES ARE PROVIDED AS EXAMPLES OF PARTS MEETING ALL REQUIRED SPECIFICATIONS. EQUIVALENTS ARE ALWAYS ACCEPTABLE UNLESS OTHERWISE SPECIFIED.  
 6. REFER TO LIGO E0900357 FOR ASSEMBLY AND LOADING PROCEDURE.

REV.	DATE	DCN #	DRAWING TREE #
v1	25 May 2010	E1000195	-

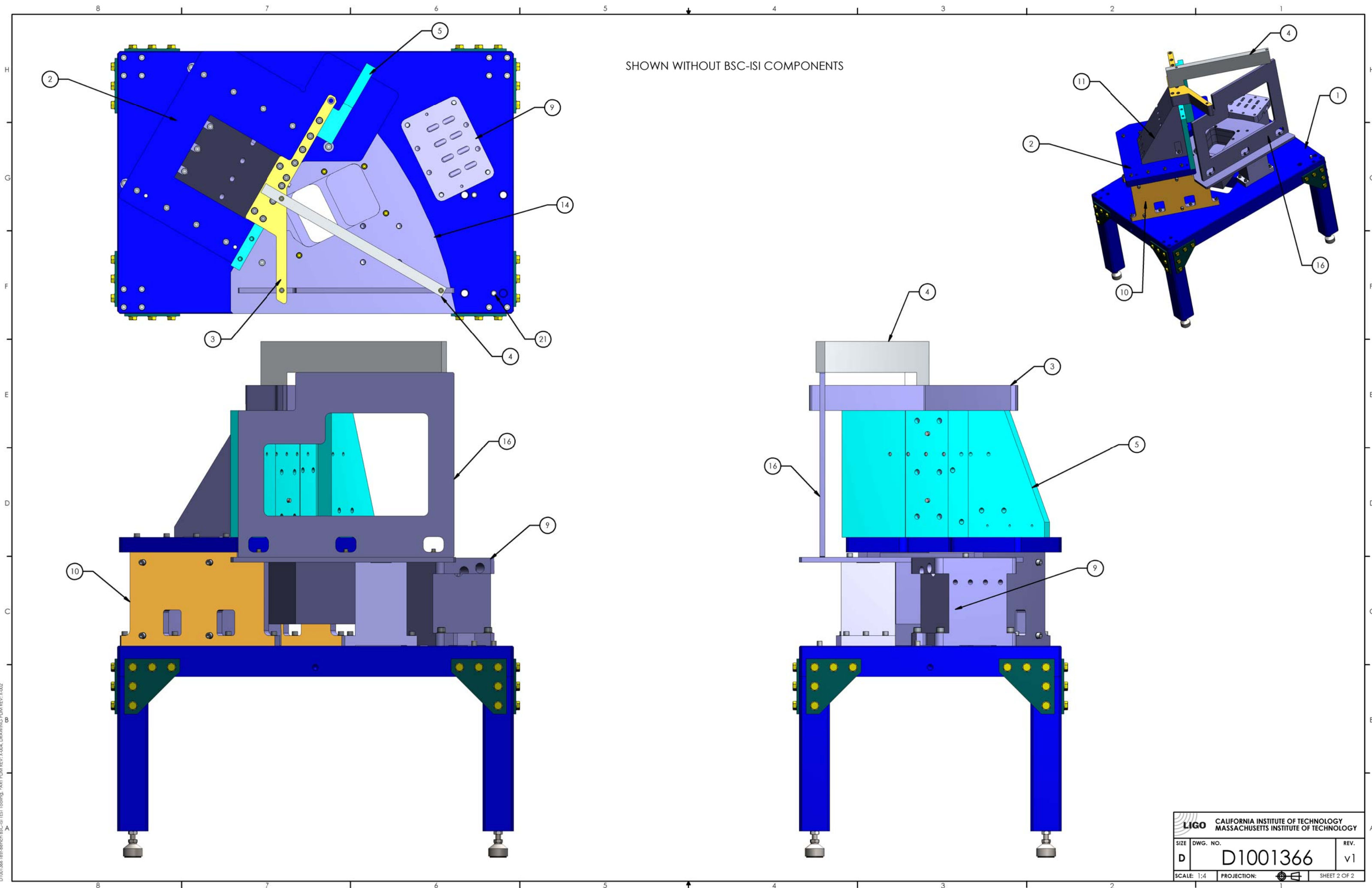


ITEM NO.	PART NUMBER	DESCRIPTION	MATERIAL	REQ
34	D0902425	FLEXURE ROD BRACKET ASSY, STAGE 1, αLIGO BSC ISI	N/A	1
33	HOLOKROME_78106	SHCS, 3/8"-16x2.0"	18-8 SS	8
32	HOLOKROME_78102	SHCS, 3/8"-16x1.5"	18-8 SS	40
31	HOLOKROME_78108	SHCS, 3/8"-16x2.5"	18-8 SS	14
30	MCMaster_98017A210	Flat Washer, 1/2" Screw, .51"x.88"x.06"	AlSI 304	4
29	McMaster_92196A721	Screw 1/2-13 x 2.25 lg. SHCS	18-8 SS	4
28	MCMaster_92196A551	SHCS, 1/4"-20x2.25" (1" Min Thread Lg)	18-8 SS	1
27	HOLOKROME_78062	SHCS, 1/4"-20x1.0"	18-8 SS	5
26	McMaster_90945A761	WASHER .26 ID X .47 OD X .06-.07 THK (NAS 620-C416)	300 SSSL	6
25	MCMaster_98017A199	Flat Washer, 3/8"	18-8 SS	62
24	HOLOKROME_78100	SHCS, 3/8"-16x1.25"	18-8 SS	14
23	McMaster_92196A584	Screw, SHCS, 5/16-18 x 1 1/8 lg.	18-8 SSSL	5
22	MCMaster_90145A624	Dowel Pin, 3/8"x1.0"	18-8 SS	10
21	MCMaster_90145A714	Dowel Pin, 1/2"x1.25"	18-8 SS	2
20	D1001364	TEST-BENCH LEG	N/A	4
19	D0902454	PULLER BLADE ASSEMBLY, STAGE 1-2, αLIGO BSC ISI	N/A	1
18	D1001362	TEST-BENCH STAGE 1 SUPPORT STABILIZER	6061-T6 Al	2
17	D1001361	TEST-BENCH SUPPORT FOR SAFETY RESTRAINT	6061-T6 Al	1
16	D1001360	TEST-BENCH STAGE 2 ENVELOPE WALL	6061-T6 Al	1
15	D1001359	TEST-BENCH POCKET STAGE 2 OPTICS TABLE	6061-T6 Al	1
14	D1001358	TEST-BENCH SKIN STAGE 2 TOP OF OPTICS TABLE	6061-T6 Al	1
13	D0901872	Stage 0-1 Blade Spring Safety Restraint.	N/A	1
12	D0902164	Stage 1-2 Blade Safety Restraint	N/A	1
11	D1001357	TEST-BENCH STAGE 1 WALL SUPPORT	6061-T6 Al	1
10	D1001356	TEST-BENCH STAGE 1 SUPPORT	6061-T6 Al	2
9	D1001355	TEST-BENCH STAGE 1-2 BLADE SPRING SUPPORT	6061-T6 Al	1
8	D0902464	Stage 0-1 Blade Pusher, αLIGO BSC-ISI Blades Loading Tooling	N/A	1
7	D0902485	Stage 1-2 Blade Spring Flexure Assem	N/A	1
6	D0901197	BSC ST 0-1 SPRING POST AND FLEXURE ASSY	N/A	1
5	D0902274	FLEXURE WALL, STAGE 1, αLIGO BSC ISI	6061-T6 Al	1
4	D1001354	TEST-BENCH STAGE 2 TOP PLATE	6061-T6 Al	1
3	D1001353	TEST-BENCH STAGE 1 CLOSEOUT PLATE	6061-T6 Al	1
2	D1001352	TEST-BENCH STAGE 1 BASE PLATE	6061-T6 Al	1
1	D1001351	TEST-BENCH STAGE 0	6061-T6 Al	1

NOTES AND TOLERANCES: (UNLESS OTHERWISE SPECIFIED)	
DIMENSIONS ARE IN INCHES	
TOLERANCES: .XX ± .015 .XXX ± .005	
ANGULAR ± N/A °	
MATERIAL	FINISH
N/A	N/A μinch

LIGO CALIFORNIA INSTITUTE OF TECHNOLOGY MASSACHUSETTS INSTITUTE OF TECHNOLOGY		PART NAME	
ADVANCED LIGO		Test-Bench BSC-ISI TEST Tooling	
DESIGNER	S.BARNUM	25 May 2010	SIZE DWG. NO.
DRAFTER	M.HILLARD	25 May 2010	D
CHECKER	F.MATICHARD	25 May 2010	D1001366
APPROVAL	K.MASON	25 May 2010	SCALE: 1:5
NEXT ASSY		PROJECTION:	
N/A		SHEET 1 OF 2	

D1001366 Test-Bench BSC-ISI TEST Tooling, PART PDM REV: X-004, DRAWING PDM REV: X-002



SHOWN WITHOUT BSC-ISI COMPONENTS

<b>LIGO</b> CALIFORNIA INSTITUTE OF TECHNOLOGY MASSACHUSETTS INSTITUTE OF TECHNOLOGY	
SIZE DWG. NO.	REV.
D D1001366	v1
SCALE: 1:4	PROJECTION: 
SHEET 2 OF 2	

D:\001366\laser\bench\BSC-ISI TEST Tooling\_PAKET\_PDM\_REV\_X-004\_DRAWING\_PDM\_REV\_X-002