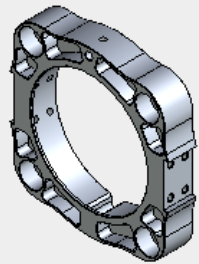
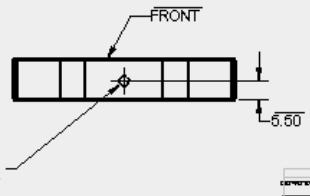
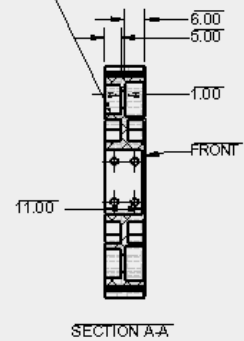
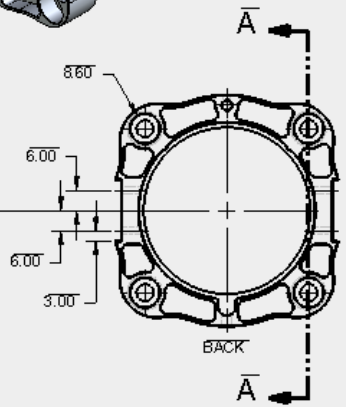
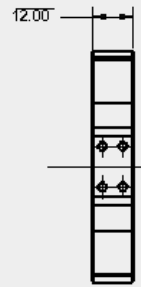
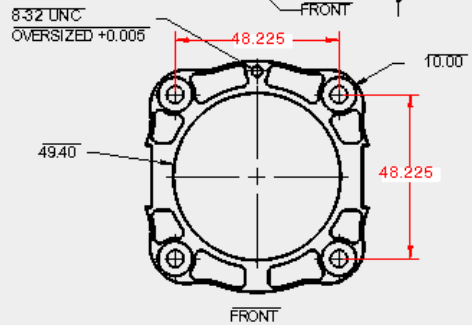
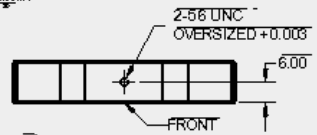


NOTES:  
 1. THIS DRAWING IS THE PROPERTY OF ADVANCED LIGO. IT IS TO BE USED FOR THE MANUFACTURE OF THE INSTRUMENT ONLY. IT IS NOT TO BE REPRODUCED OR TRANSMITTED IN ANY FORM OR BY ANY MEANS, ELECTRONIC OR MECHANICAL, INCLUDING PHOTOCOPYING, RECORDING, OR BY ANY INFORMATION STORAGE AND RETRIEVAL SYSTEM, WITHOUT THE WRITTEN PERMISSION OF ADVANCED LIGO.  
 2. ALL DIMENSIONS ARE IN MILLIMETERS UNLESS OTHERWISE SPECIFIED.  
 3. DIMENSIONS IN PARENTHESES ARE FOR INFORMATION ONLY.  
 4. DIMENSIONS IN BRACKETS ARE FOR INFORMATION ONLY.  
 5. DIMENSIONS IN SQUARE BRACKETS ARE FOR INFORMATION ONLY.  
 6. DIMENSIONS IN CIRCLES ARE FOR INFORMATION ONLY.  
 7. DIMENSIONS IN TRIANGLES ARE FOR INFORMATION ONLY.  
 8. DIMENSIONS IN DIAMOND SHAPES ARE FOR INFORMATION ONLY.  
 9. DIMENSIONS IN PARALLELOGRAMS ARE FOR INFORMATION ONLY.  
 10. DIMENSIONS IN OVALS ARE FOR INFORMATION ONLY.  
 11. DIMENSIONS IN STARS ARE FOR INFORMATION ONLY.  
 12. DIMENSIONS IN CIRCLES WITH A DOT ARE FOR INFORMATION ONLY.  
 13. DIMENSIONS IN CIRCLES WITH A CROSS ARE FOR INFORMATION ONLY.  
 14. DIMENSIONS IN CIRCLES WITH A TRIANGLE ARE FOR INFORMATION ONLY.  
 15. DIMENSIONS IN CIRCLES WITH A SQUARE ARE FOR INFORMATION ONLY.  
 16. DIMENSIONS IN CIRCLES WITH A DIAMOND ARE FOR INFORMATION ONLY.  
 17. DIMENSIONS IN CIRCLES WITH A STAR ARE FOR INFORMATION ONLY.  
 18. DIMENSIONS IN CIRCLES WITH A CROSS AND A TRIANGLE ARE FOR INFORMATION ONLY.  
 19. DIMENSIONS IN CIRCLES WITH A CROSS AND A SQUARE ARE FOR INFORMATION ONLY.  
 20. DIMENSIONS IN CIRCLES WITH A CROSS AND A DIAMOND ARE FOR INFORMATION ONLY.  
 21. DIMENSIONS IN CIRCLES WITH A CROSS AND A STAR ARE FOR INFORMATION ONLY.  
 22. DIMENSIONS IN CIRCLES WITH A CROSS AND A TRIANGLE AND A SQUARE ARE FOR INFORMATION ONLY.  
 23. DIMENSIONS IN CIRCLES WITH A CROSS AND A DIAMOND AND A STAR ARE FOR INFORMATION ONLY.  
 24. DIMENSIONS IN CIRCLES WITH A CROSS AND A TRIANGLE AND A SQUARE AND A DIAMOND ARE FOR INFORMATION ONLY.  
 25. DIMENSIONS IN CIRCLES WITH A CROSS AND A TRIANGLE AND A SQUARE AND A DIAMOND AND A STAR ARE FOR INFORMATION ONLY.

| REV | DATE | DESCRIPTION | APPROVED |
|-----|------|-------------|----------|
| 1   |      |             |          |
| 2   |      |             |          |
| 3   |      |             |          |
| 4   |      |             |          |
| 5   |      |             |          |
| 6   |      |             |          |
| 7   |      |             |          |
| 8   |      |             |          |
| 9   |      |             |          |
| 10  |      |             |          |



OD 9.6 mm, pitch 1 mm  
 ID 8.60 mm, Full Thread 4 mm deep  
 Mates with D1002338



25

|  |  |  |  |
|--|--|--|--|
| ADVANCED LIGO<br>3511 Central Expressway<br>Mountain View, CA 94035<br>TEL: 650 926 7000<br>FAX: 650 926 7001<br>WWW: www.advancedligo.mit.edu | ADVANCED LIGO<br>3511 Central Expressway<br>Mountain View, CA 94035<br>TEL: 650 926 7000<br>FAX: 650 926 7001<br>WWW: www.advancedligo.mit.edu | ADVANCED LIGO<br>3511 Central Expressway<br>Mountain View, CA 94035<br>TEL: 650 926 7000<br>FAX: 650 926 7001<br>WWW: www.advancedligo.mit.edu | ADVANCED LIGO<br>3511 Central Expressway<br>Mountain View, CA 94035<br>TEL: 650 926 7000<br>FAX: 650 926 7001<br>WWW: www.advancedligo.mit.edu |
| ADVANCED LIGO<br>3511 Central Expressway<br>Mountain View, CA 94035<br>TEL: 650 926 7000<br>FAX: 650 926 7001<br>WWW: www.advancedligo.mit.edu |  | ADVANCED LIGO<br>3511 Central Expressway<br>Mountain View, CA 94035<br>TEL: 650 926 7000<br>FAX: 650 926 7001<br>WWW: www.advancedligo.mit.edu |  |
| ADVANCED LIGO<br>3511 Central Expressway<br>Mountain View, CA 94035<br>TEL: 650 926 7000<br>FAX: 650 926 7001<br>WWW: www.advancedligo.mit.edu |  | ADVANCED LIGO<br>3511 Central Expressway<br>Mountain View, CA 94035<br>TEL: 650 926 7000<br>FAX: 650 926 7001<br>WWW: www.advancedligo.mit.edu |  |
| ADVANCED LIGO<br>3511 Central Expressway<br>Mountain View, CA 94035<br>TEL: 650 926 7000<br>FAX: 650 926 7001<br>WWW: www.advancedligo.mit.edu |  | ADVANCED LIGO<br>3511 Central Expressway<br>Mountain View, CA 94035<br>TEL: 650 926 7000<br>FAX: 650 926 7001<br>WWW: www.advancedligo.mit.edu |  |

Tip-Tilt Mirror Hdler  
 D1001428 v2  
 Tip-Tilt Mirror Assembly