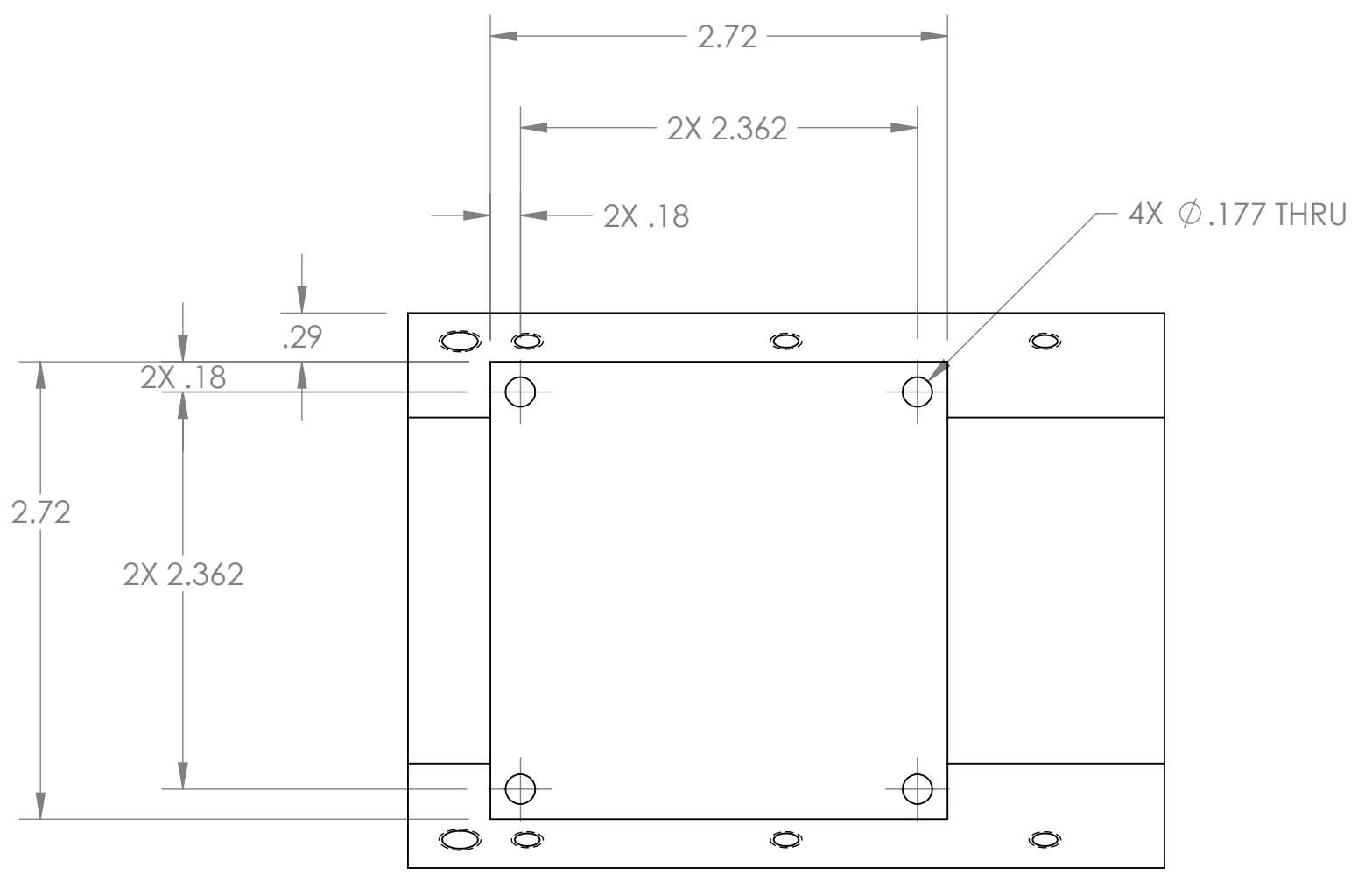
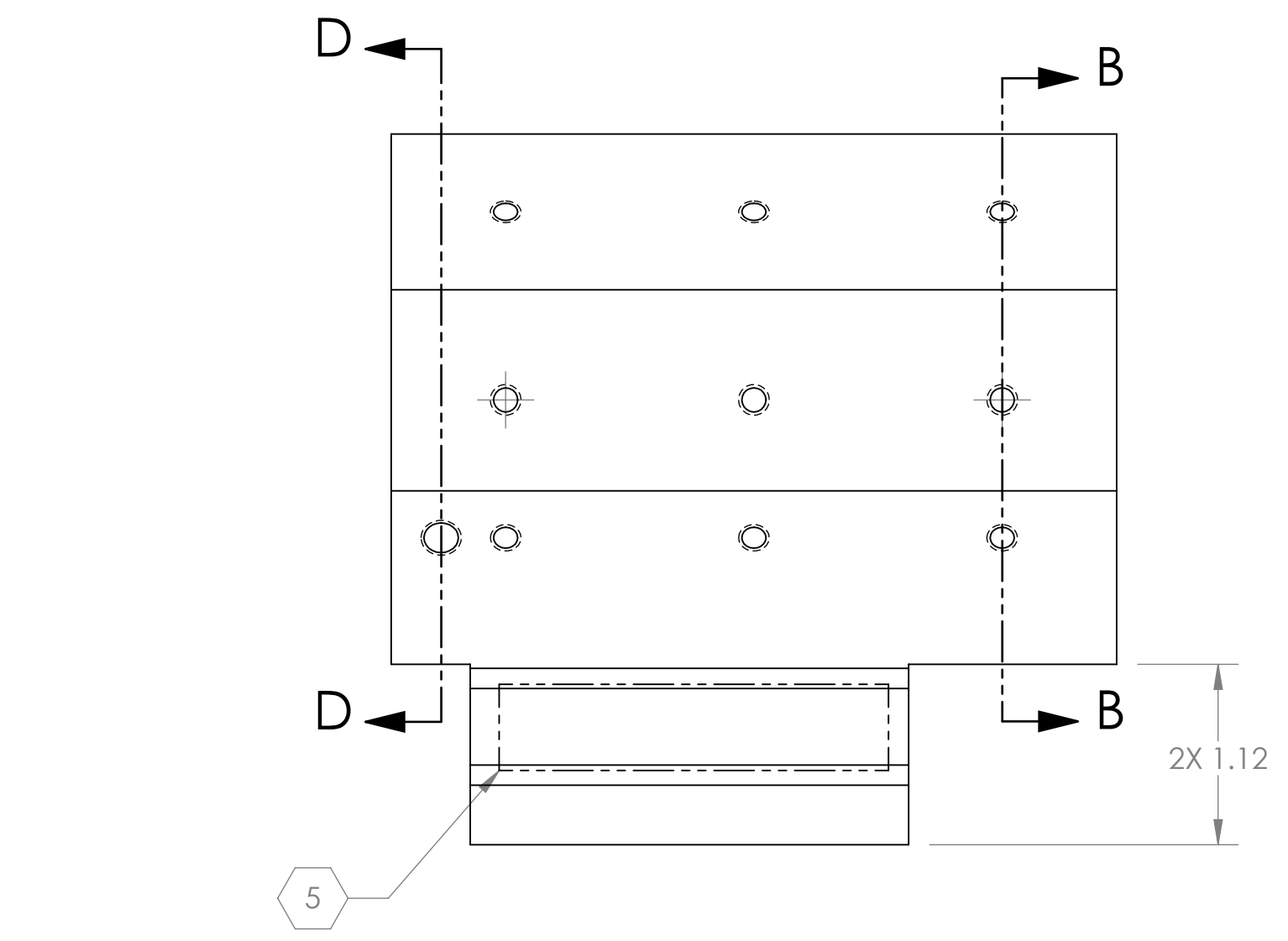
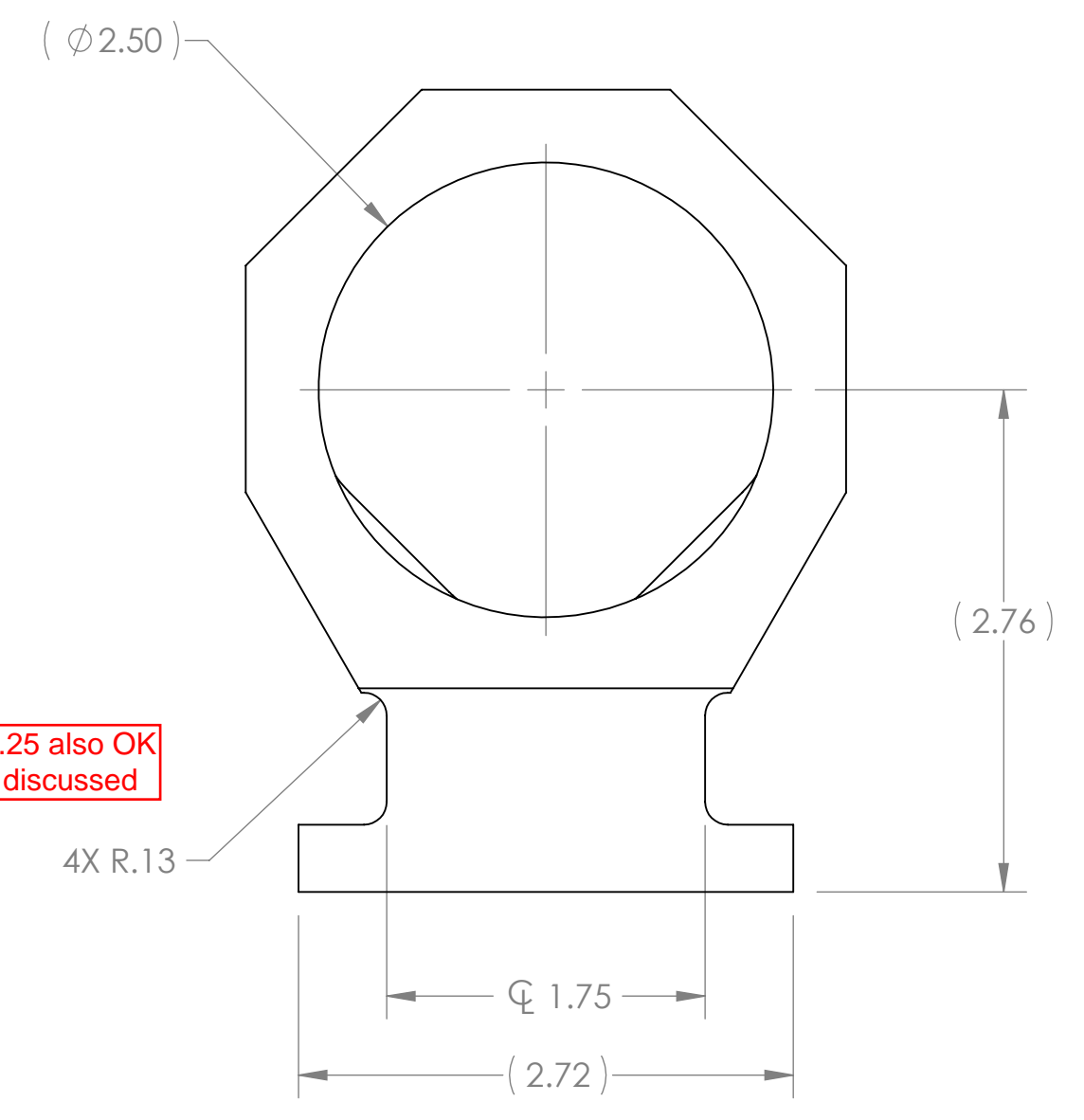
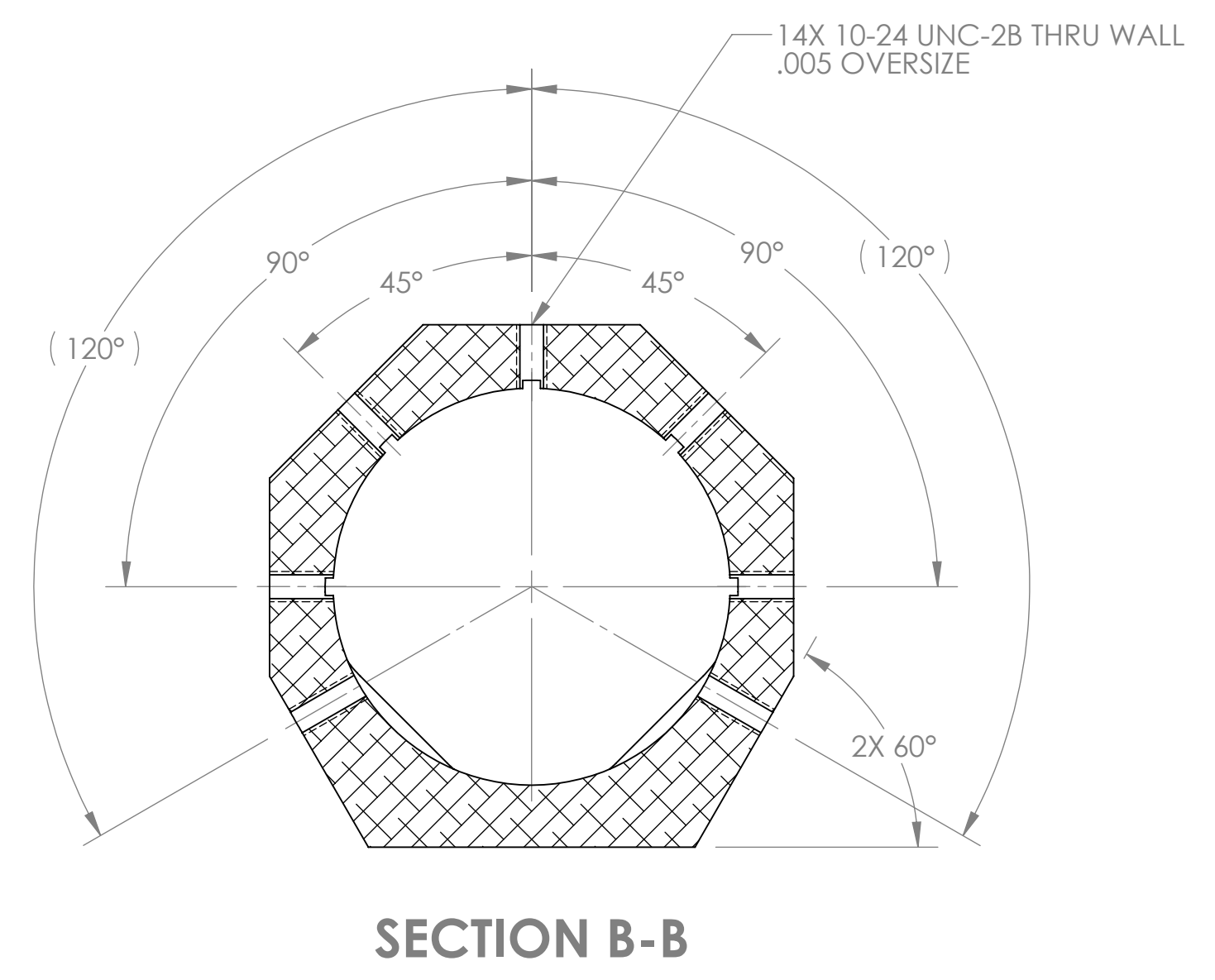
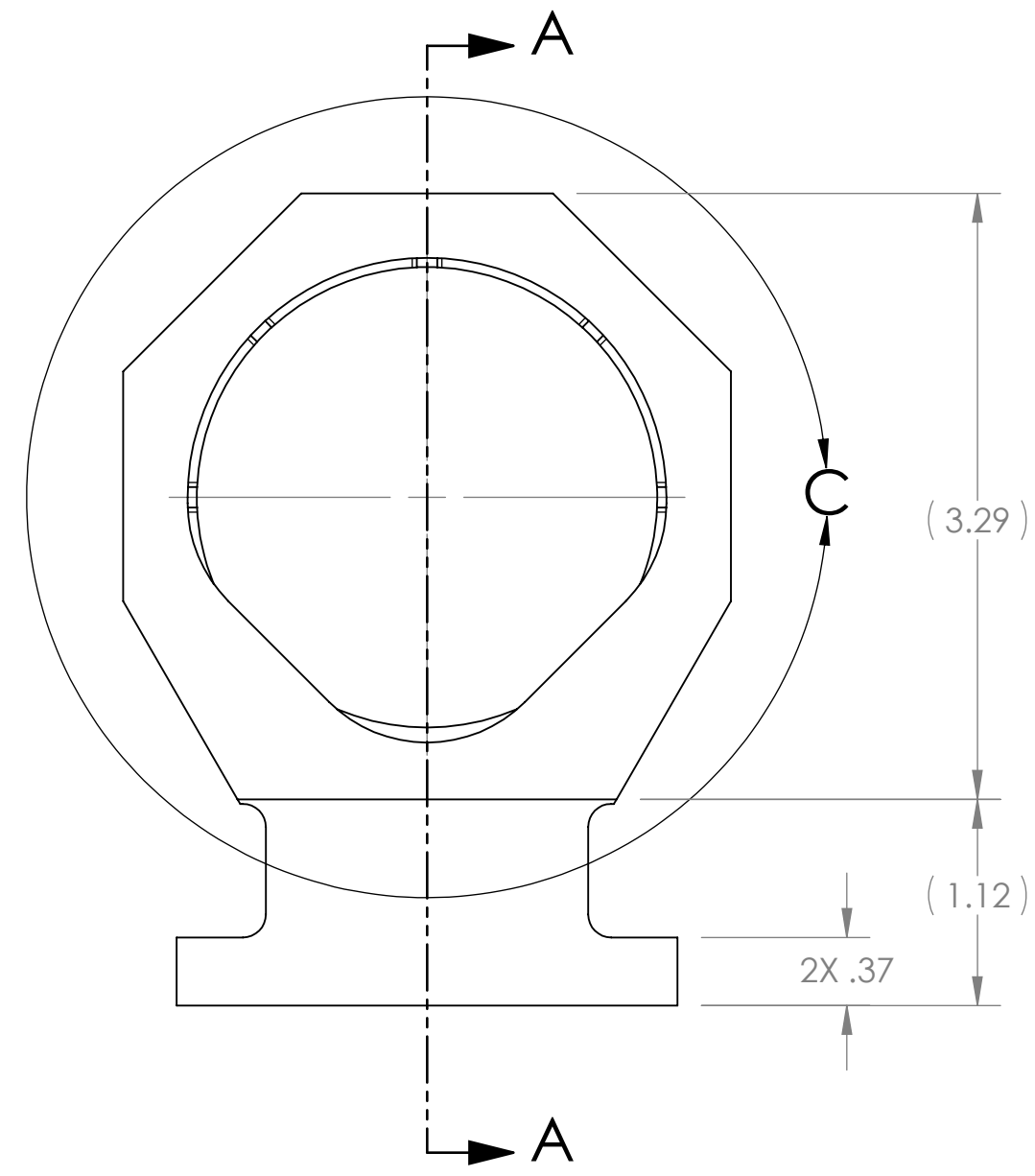
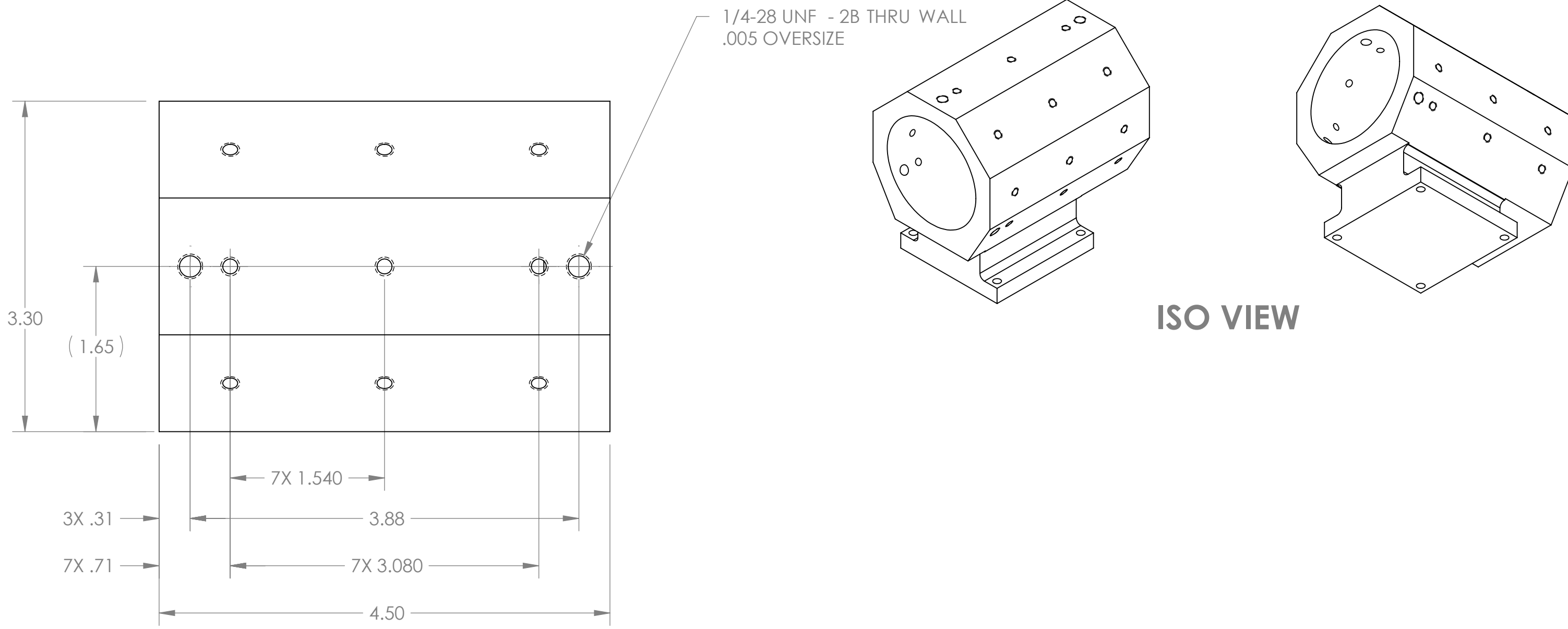


NOTES CONTINUED:  
 ⑤ SCRIBE, ENGRAVE, OR MECHANICALLY STAMP (NO INKS OR DYES) DRAWING PART NUMBER, REVISION (AND VARIANT OR TYPE IF APPLICABLE ON NOTED SURFACE OR PART FOLLOWED ON THE NEXT LINE WITH A THREE DIGIT SERIAL NUMBER. SERIAL NUMBERS START AT 001 FOR THE FIRST ARTICLE AND PROCEED CONSECUTIVELY. USE MINIMUM 0.12" HIGH CHARACTERS UNLESS THE SIZE OF THE PART DICTATES SMALLER CHARACTERS. EXAMPLE: DXXXXXX-VY, TYPE-XX, S/N XXX. A VIBRATORY TOOL MAY BE USED.

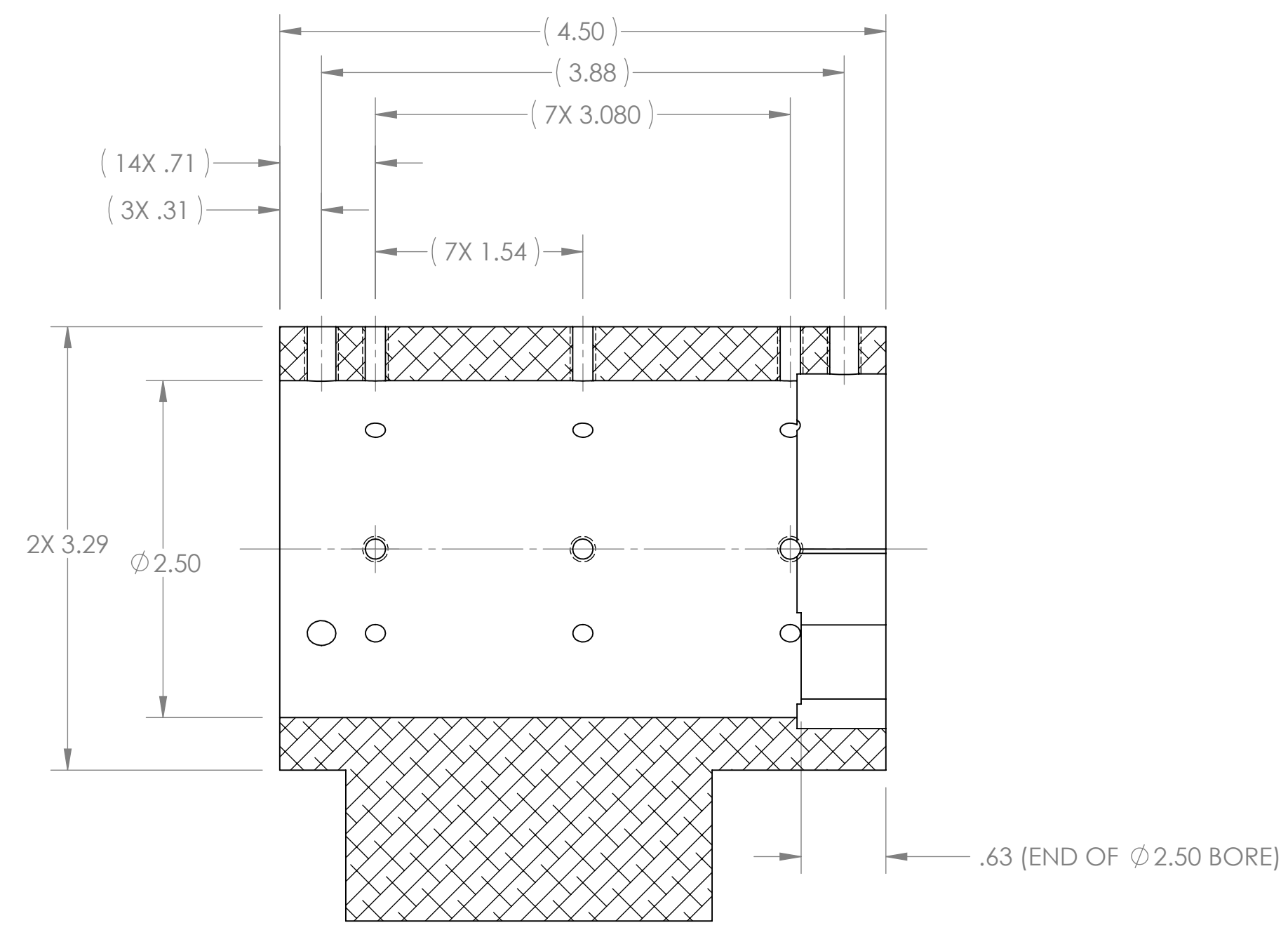
REV.	DATE	DCN #	DRAWING TREE #
v1	07 JUNE 2010	E1000182-v1	-
v2	15 OCT 2010	E1000182-v2	-
-	-	-	-



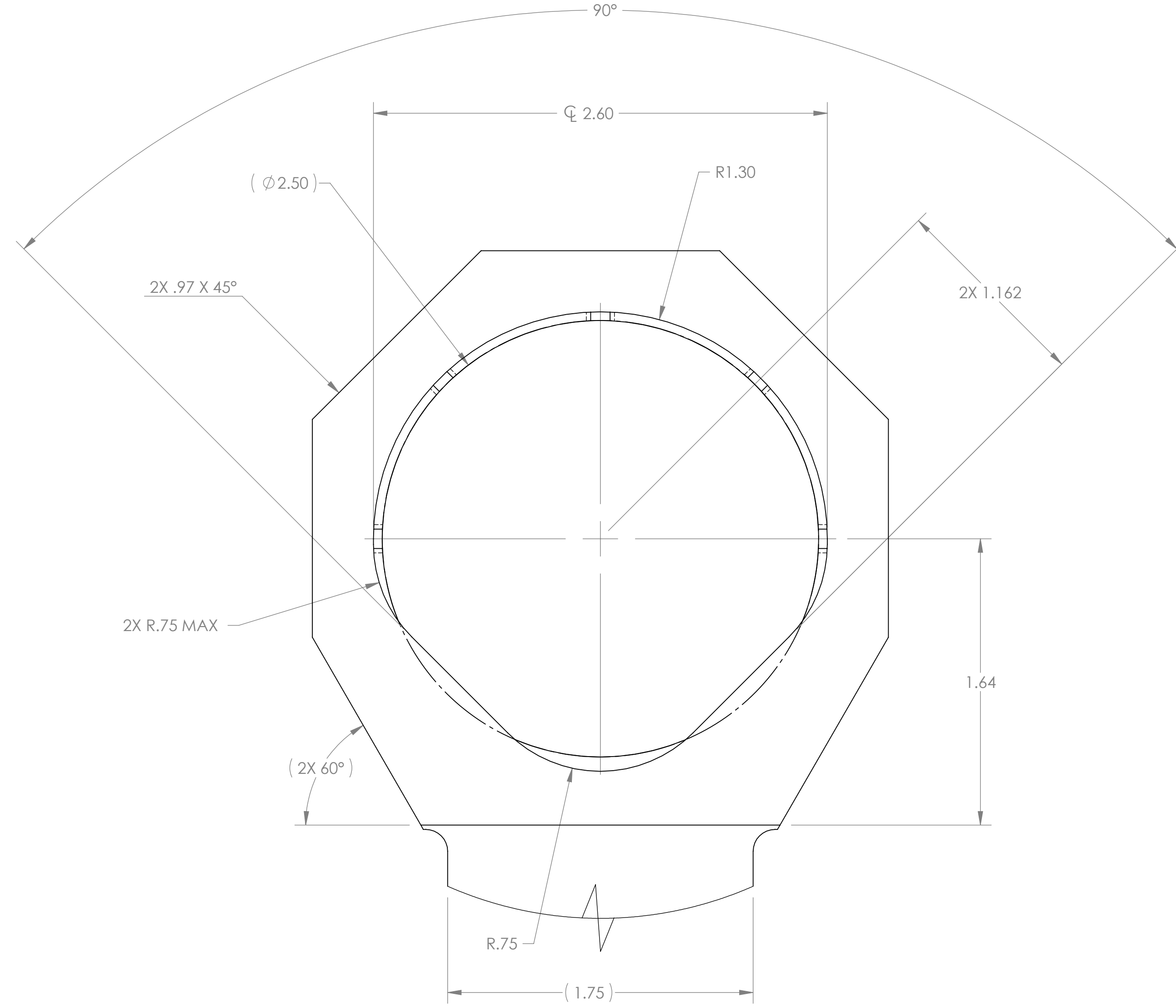
DIMENSIONS ARE IN INCHES		NOTES AND TOLERANCES: (UNLESS OTHERWISE SPECIFIED)	
TOLERANCES: .XX ± .01 .XXX ± .005		1. INTERPRET DRAWING PER ASME Y14.5-1994. 2. REMOVE ALL SHARP EDGES, R.02 MIN. 3. DO NOT SCALE FROM DRAWING. 4. ALL MACHINING FLUIDS MUST BE FULLY SYNTHETIC, FULLY WATER SOLUBLE AND FREE OF SULFUR, SILICONE, AND CHLORINE.	
MATERIAL	FINISH	SYSTEM	NEXT ASSY
6061-T6 Al	63 μinch	ADVANCED LIGO	D1001335 D1001339
ANGULAR ± 1.0°		SUB-SYSTEM: AOS	

LIGO CALIFORNIA INSTITUTE OF TECHNOLOGY MASSACHUSETTS INSTITUTE OF TECHNOLOGY		PART NAME	
ADVANCED LIGO		ALIGO AOS OPLEV LARGE TELESCOPE MOUNT	
DESIGNER	C. CONLEY	DATE	06 JUN 2010
DRAFTER	N. KILPATRICK	DATE	07 JUNE 2010
CHECKER		SCALE	1:1
APPROVAL		PROJECTION	
DWG. NO. D1001449		REV. v2	
SHEET 1 OF 2			

D1001449 ALIGO AOS Oplev Large Telescope Mount PART PDM REV: X.011 DRAWING PDM REV: X.010



SECTION A-A



DETAIL C  
SCALE 2 : 1

D1001449.dwg ACS Cctv Lens Telescope Mount PART PDM REV. X.011 DRAWING PDM REV. X.010