

D1001700_AdlIGO_AOS_SLC INTERFACE MOUNTING CLAMP, PART PDM REV: X-012, DRAWING PDM REV: X-015

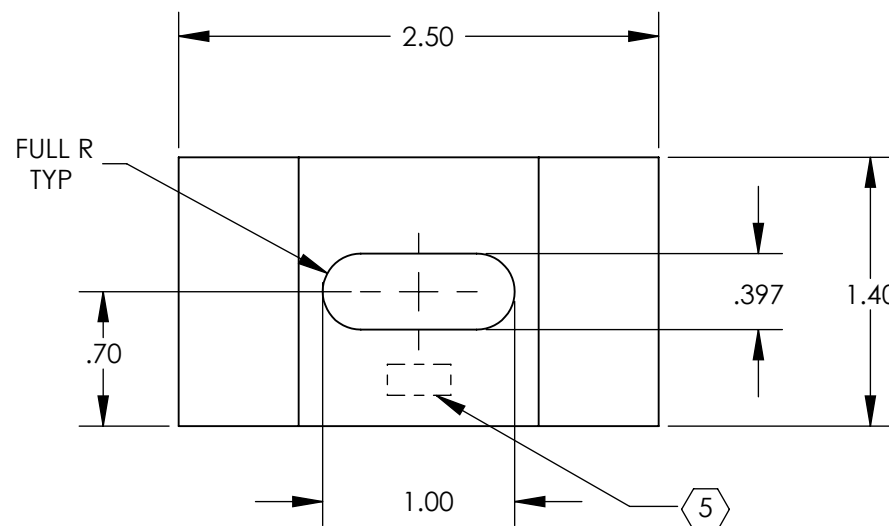
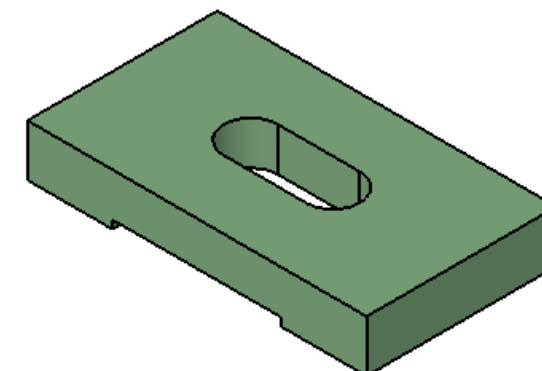
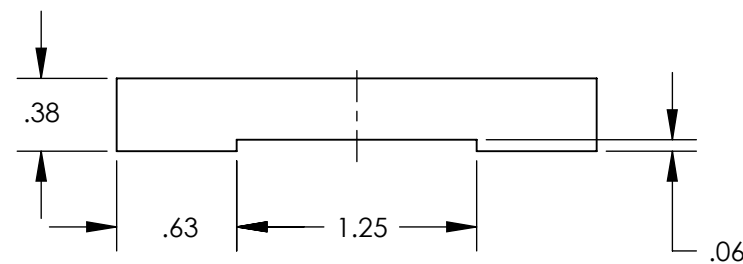
NOTES CONTINUED:

⑤ SCRIBE, ENGRAVE (A VIBRATORY TOOL MAY BE USED), LASER MARK OR MECHANICALLY STAMP (NO INKS OR DYES) DRAWING PART NUMBER, REVISION (AND VARIANT OR "TYPE" IF APPLICABLE) ON NOTED SURFACE PART FOLLOWED ON THE NEXT LINE WITH A THREE DIGIT SERIAL NUMBER. SERIAL NUMBERS START AT 001 FOR THE FIRST ARTICLE AND PROCEED CONSECUTIVELY. USE MINIMUM 0.12" HIGH CHARACTERS, UNLESS THE SIZE OF THE PART DICTATES SMALLER CHARACTERS.

EXAMPLE: DXXXXX-VY, TYPE-XX, S/N XXX

- 6. APPROXIMATE WEIGHT=0.320 LB.
- 7. MACHINE ALL SURFACES TO REMOVE OXIDES AND MILL FINISH, USE OF ABRASIVE REMOVAL TECHNIQUES IS NOT ALLOWED. REFER TO LIGO-E0900364
- 8. ALL PARTS SHALL BE MANUFACTURED IN ACCORDANCE WITH LIGO SPECIFICATION E0900364.
- 9. ALL MATERIAL IS TO BE VIRGIN MATERIAL (i.e. NO WELD REPAIRS, PLUGS OR RECYCLED MATERIAL). NO REPAIRS SHALL BE MADE UNLESS APPROVED IN ADVANCE, AND IN WRITING, BY LIGO LABORATORY. REFER TO LIGO-E0900364.

REV.	DATE	DCN #	DRAWING TREE #
1	10 SEP 2010	E1000285	-
-	-	-	-
-	-	-	-



NOTES AND TOLERANCES: (UNLESS OTHERWISE SPECIFIED)

DIMENSIONS ARE IN INCHES
 TOLERANCES:
 .XX ± .02
 .XXX ± .010
 ANGULAR ± 1.0°

1. INTERPRET DRAWING PER ASME Y14.5-1994.
 2. REMOVE ALL SHARP EDGES, 0.005" TO 0.015".
 3. DO NOT SCALE FROM DRAWING.
 4. ALL MACHINING FLUIDS MUST BE FULLY SYNTHETIC, FULLY WATER SOLUBLE AND FREE OF SULFUR, SILICONE, AND CHLORINE. REFER TO LIGO E0900237 FOR LIST OF APPROVED COOLANTS.

MATERIAL 304 SSTL FINISH 63 μinch

LIGO CALIFORNIA INSTITUTE OF TECHNOLOGY
 MASSACHUSETTS INSTITUTE OF TECHNOLOGY

SYSTEM ADVANCED LIGO SUB-SYSTEM AOS
 NEXT ASSY D0901376

PART NAME
SLC INTERFACE MOUNTING CLAMP

DESIGNER	N.Nguyen	10 SEP 2010	SIZE	DWG. NO.	REV.
DRAFTER	N.NGUYEN	10 SEP 2010	B	D1001700	v1
CHECKER	M. SMITH	10 NOV 2010	SCALE:	1:1	PROJECTION:
APPROVAL	D. COYNE	20 NOV 2010	SHEET 1 OF 1		